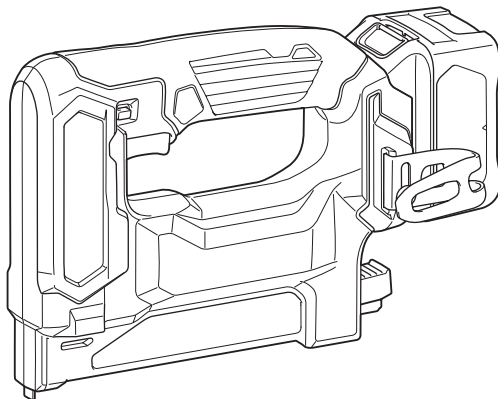




EN	Cordless Stapler	INSTRUCTION MANUAL	4
PL	Zszywacz akumulatorowy	INSTRUKCJA OBSŁUGI	9
HU	Akkumulátoros tűzőgép	HASZNÁLATI KÉZIKÖNYV	15
SK	Akumulátorová sponkovačka	NÁVOD NA OBSLUHU	20
CS	Akumulátorová sponkovačka	NÁVOD K OBSLUZE	25
UK	Акумуляторний степлер	ІНСТРУКЦІЯ З ЕКСПЛУАТАЦІЇ	30
RO	Mașină de capsat cu acumulator	MANUAL DE INSTRUCȚIUNI	36
DE	Akku-Tacker	BETRIEBSANLEITUNG	42

ST113D



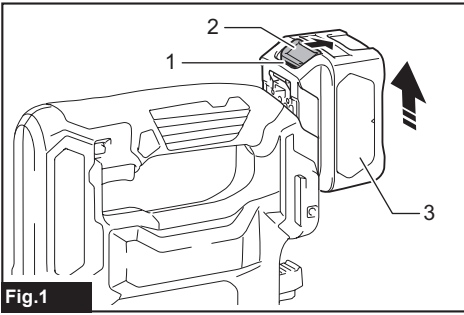


Fig.1

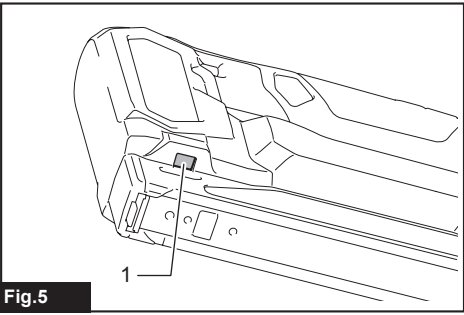


Fig.5

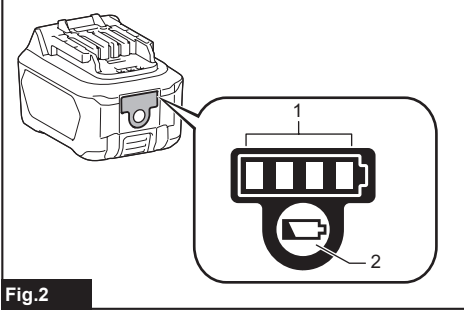


Fig.2

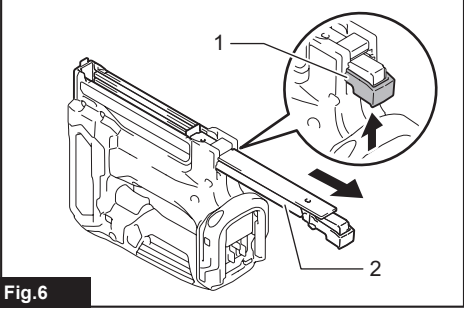


Fig.6

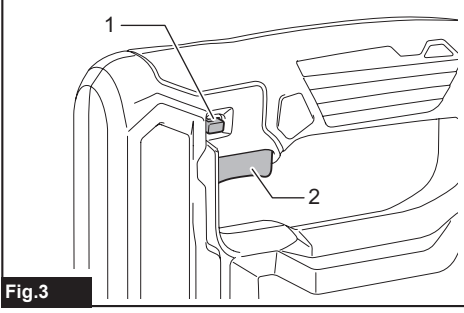


Fig.3

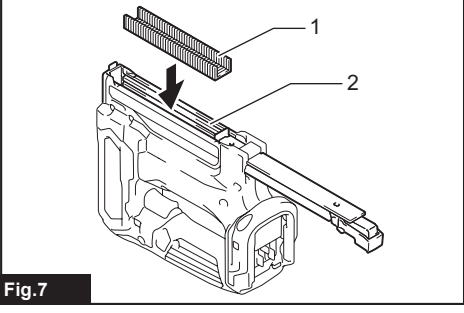


Fig.7

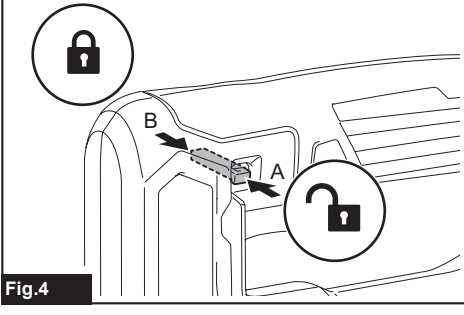


Fig.4

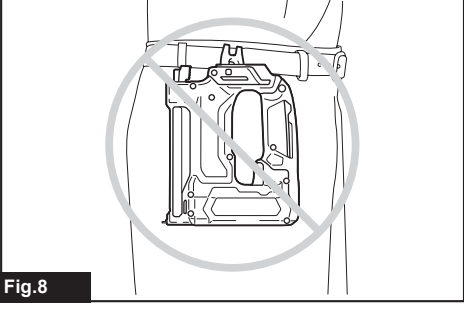
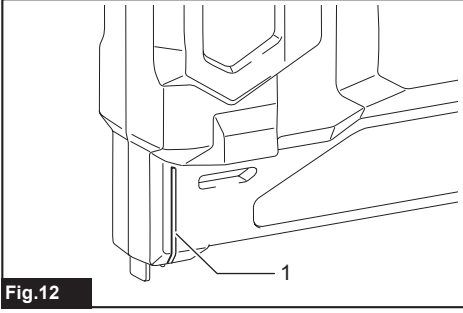
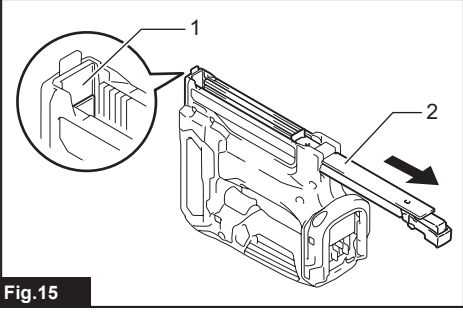
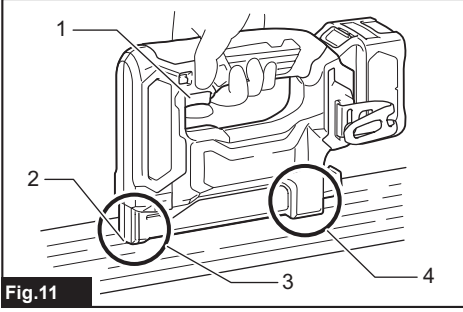
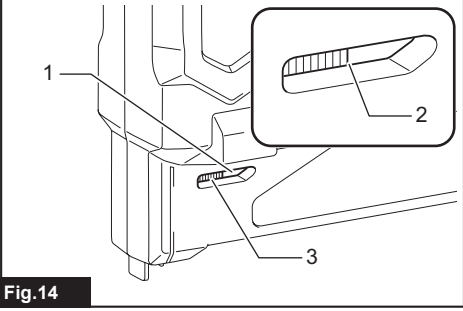
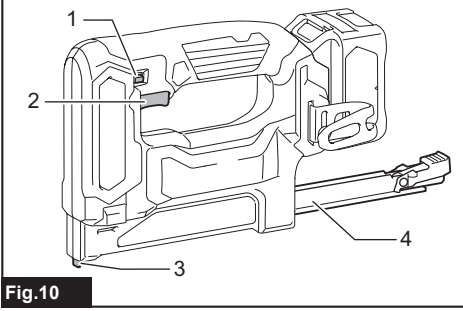
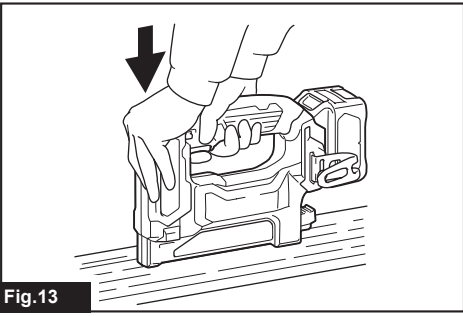
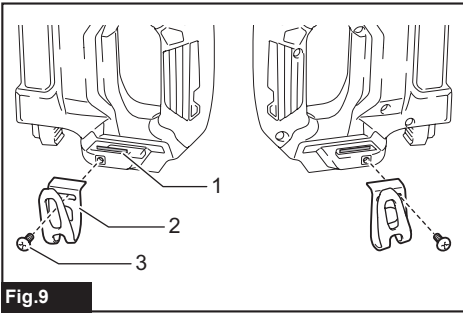


Fig.8



SPECIFICATIONS

Model:	ST113D	
Staple width	10 mm	
Applicable staples length	7 mm - 10 mm	
Staple magazine capacity	150 pcs	
Dimensions without hook (L x W x H)	211 mm x 81 mm x 159 mm	
Rated voltage	D.C. 10.8 V - 12 V max	
Battery cartridge	BL1015, BL1016, BL1020B, BL1021B	BL1040B, BL1041B
Net weight	1.3 kg	1.5 kg

- Due to our continuing program of research and development, the specifications herein are subject to change without notice.
- Specifications and battery cartridge may differ from country to country.
- Weight, with battery cartridge, according to EPTA-Procedure 01/2003

Intended use

The tool is intended for pressing staples into construction materials such as timbers.

Noise

The typical A-weighted noise level determined according to EN60745:

Sound pressure level (L_{pA}) : 75 dB(A)

Uncertainty (K) : 3 dB(A)

The noise level under working may exceed 80 dB (A).

⚠ WARNING: Wear ear protection.

Vibration

The vibration total value determined according to EN60745:

Vibration emission (a_h) : 2.5 m/s² or less

Uncertainty (K) : 1.5 m/s²

NOTE: The declared vibration emission value has been measured in accordance with the standard test method and may be used for comparing one tool with another.

NOTE: The declared vibration emission value may also be used in a preliminary assessment of exposure.

⚠ WARNING: The vibration emission during actual use of the power tool can differ from the declared emission value depending on the ways in which the tool is used.

⚠ WARNING: Be sure to identify safety measures to protect the operator that are based on an estimation of exposure in the actual conditions of use (taking account of all parts of the operating cycle such as the times when the tool is switched off and when it is running idle in addition to the trigger time).

EC Declaration of Conformity

For European countries only

The EC declaration of conformity is included as Annex A to this instruction manual.

SAFETY WARNINGS

General power tool safety warnings

⚠ WARNING: Read all safety warnings, instructions, illustrations and specifications provided with this power tool. Failure to follow all instructions listed below may result in electric shock, fire and/or serious injury.

Save all warnings and instructions for future reference.

The term "power tool" in the warnings refers to your mains-operated (corded) power tool or battery-operated (cordless) power tool.

Cordless stapler safety warnings

1. **Always assume that the tool contains fasteners.** Careless handling of the stapler can result in unexpected firing of fasteners and personal injury.
2. **Do not point the tool towards yourself or anyone nearby.** Unexpected triggering will discharge the fastener causing an injury.
3. **Do not actuate the tool unless the tool is placed firmly against the workpiece.** If the tool is not in contact with the workpiece, the fastener may be deflected away from your target.
4. **Disconnect the tool from the power source when the fastener jams in the tool.** While removing a jammed fastener, the stapler may be accidentally activated if it is plugged in.
5. **Use caution while removing a jammed fastener.** The mechanism may be under compression and the fastener may be forcefully discharged while attempting to free a jammed condition.
6. **Do not use this stapler for fastening electrical cables.** It is not designed for electric cable installation and may damage the insulation of electric cables thereby causing electric shock or fire hazards.

7. Always wear safety goggles or safety glasses with side shield, and a full face shield when needed.
8. Keep hands and feet away from the ejection port area.
9. Always remove the battery cartridge before loading the fasteners, adjustment, inspection, maintenance or after operation is over.
10. Make sure no one is nearby before operation. Never attempt to drive fasteners from both the inside and outside of wall at the same time. Fasteners may rip through and/or fly off, presenting a grave danger.
11. Watch your footing and maintain your balance with the tool. Make sure there is no one below when working in high locations.
12. Check walls, ceilings, floors, roofing and the like carefully to avoid possible electrical shock, gas leakage, explosions, etc. caused by stapling into live wires, conduits or gas pipes.
13. Use only fasteners specified in this manual. The use of any other fasteners may cause malfunction of the tool.
14. Do not tamper with the tool or attempt to use it for other than driving fasteners.
15. Do not operate the tool without fasteners. It shortens the service life of the tool.
16. Stop driving operations immediately if you notice something wrong or out of the ordinary with the tool.
17. Never fasten into any materials which may allow the fastener to puncture and fly through as a projectile.
18. Never actuate the switch trigger and contact element until you are prepared to fasten workpieces. Never defeat its purpose by securing the contact element back or by depressing it by hand.
19. Never tamper with the contact element. Check the contact element frequently for proper operations.
4. If electrolyte gets into your eyes, rinse them out with clear water and seek medical attention right away. It may result in loss of your eyesight.
5. Do not short the battery cartridge:
 - (1) Do not touch the terminals with any conductive material.
 - (2) Avoid storing battery cartridge in a container with other metal objects such as nails, coins, etc.
 - (3) Do not expose battery cartridge to water or rain.

A battery short can cause a large current flow, overheating, possible burns and even a breakdown.
6. Do not store the tool and battery cartridge in locations where the temperature may reach or exceed 50 °C (122 °F).
7. Do not incinerate the battery cartridge even if it is severely damaged or is completely worn out. The battery cartridge can explode in a fire.
8. Be careful not to drop or strike battery.
9. Do not use a damaged battery.
10. The contained lithium-ion batteries are subject to the Dangerous Goods Legislation requirements. For commercial transports e.g. by third parties, forwarding agents, special requirement on packaging and labeling must be observed. For preparation of the item being shipped, consulting an expert for hazardous material is required. Please also observe possibly more detailed national regulations. Tape or mask off open contacts and pack up the battery in such a manner that it cannot move around in the packaging.
11. Follow your local regulations relating to disposal of battery.
12. Use the batteries only with the products specified by Makita. Installing the batteries to non-compliant products may result in a fire, excessive heat, explosion, or leak of electrolyte.

SAVE THESE INSTRUCTIONS.

⚠WARNING: DO NOT let comfort or familiarity with product (gained from repeated use) replace strict adherence to safety rules for the subject product. MISUSE or failure to follow the safety rules stated in this instruction manual may cause serious personal injury.

Important safety instructions for battery cartridge

1. Before using battery cartridge, read all instructions and cautionary markings on (1) battery charger, (2) battery, and (3) product using battery.
2. Do not disassemble battery cartridge.
3. If operating time has become excessively shorter, stop operating immediately. It may result in a risk of overheating, possible burns and even an explosion.

SAVE THESE INSTRUCTIONS.

⚠CAUTION: Only use genuine Makita batteries. Use of non-genuine Makita batteries, or batteries that have been altered, may result in the battery bursting causing fires, personal injury and damage. It will also void the Makita warranty for the Makita tool and charger.

Tips for maintaining maximum battery life

1. Charge the battery cartridge before completely discharged. Always stop tool operation and charge the battery cartridge when you notice less tool power.
2. Never recharge a fully charged battery cartridge. Overcharging shortens the battery service life.
3. Charge the battery cartridge with room temperature at 10 °C - 40 °C (50 °F - 104 °F). Let a hot battery cartridge cool down before charging it.

FUNCTIONAL DESCRIPTION

CAUTION: Always be sure that the tool is switched off and the battery cartridge is removed before adjusting or checking function on the tool.

Installing or removing battery cartridge

CAUTION: Always switch off the tool before installing or removing of the battery cartridge.

CAUTION: Hold the tool and the battery cartridge firmly when installing or removing battery cartridge. Failure to hold the tool and the battery cartridge firmly may cause them to slip off your hands and result in damage to the tool and battery cartridge and a personal injury.

► Fig.1: 1. Red indicator 2. Button 3. Battery cartridge

To remove the battery cartridge, slide it from the tool while sliding the button on the front of the cartridge.

To install the battery cartridge, align the tongue on the battery cartridge with the groove in the housing and slip it into place. Insert it all the way until it locks in place with a little click. If you can see the red indicator on the upper side of the button, it is not locked completely.

CAUTION: Always install the battery cartridge fully until the red indicator cannot be seen. If not, it may accidentally fall out of the tool, causing injury to you or someone around you.

CAUTION: Do not install the battery cartridge forcibly. If the cartridge does not slide in easily, it is not being inserted correctly.

Battery protection system

The tool is equipped with a battery protection system. This system automatically cuts off power to the motor to extend battery life.

The tool will automatically stop during operation if the tool and/or battery are placed under one of the following conditions:

Overloaded:

The tool is operated in a manner that causes it to draw an abnormally high current.

In this situation, turn the tool off and stop the application that caused the tool to become overloaded. Then turn the tool on to restart.

If the tool does not start, the battery is overheated. In this situation, let the battery cool before turning the tool on again.

Low battery voltage:

The remaining battery capacity is too low and the tool will not operate. If you turn the tool on, the motor does not run or the motor runs again but stops soon. In this situation, remove and recharge the battery.

Indicating the remaining battery capacity

Only for battery cartridges with the indicator

► Fig.2: 1. Indicator lamps 2. Check button

Press the check button on the battery cartridge to indicate the remaining battery capacity. The indicator lamps light up for a few seconds.

Indicator lamps		Remaining capacity
Lighted	Off	
■ ■ ■ ■	□	75% to 100%
■ ■ ■ □	□	50% to 75%
■ ■ □ □	□ □	25% to 50%
■ □ □ □	□ □ □ □	0% to 25%

NOTE: Depending on the conditions of use and the ambient temperature, the indication may differ slightly from the actual capacity.

Switch action

CAUTION: Before installing the battery cartridge into the tool, always check to see that the switch trigger actuates properly and returns to the "OFF" position when released.

CAUTION: When not operating the tool, depress the trigger-lock button from B side to lock the switch trigger in the OFF position.

► Fig.3: 1. Trigger-lock button 2. Switch trigger

► Fig.4

To prevent the switch trigger from accidentally pulled, the trigger-lock button is provided.

To pull the switch trigger, depress the trigger-lock button from A side.

After use, always press in the trigger-lock button from B side.

Lighting up the lamp

CAUTION: Do not look in the light or see the source of light directly.

► Fig.5: 1. Lamp

Pull the switch trigger or actuate the contact element to light up the lamp. The lamp keeps on lighting while pulling the switch trigger or actuating the contact element. The lamp goes out approximately 10 seconds after releasing the switch trigger and the contact element.

NOTE: Use a dry cloth to wipe the dirt off the lens of the lamp. Be careful not to scratch the lens of lamp, or it may lower the illumination.

ASSEMBLY

⚠ CAUTION: Always make sure that the battery cartridge is removed before carrying out any work on the stapler.

Staples

⚠ CAUTION: Do not use staples other than designated in this manual or staples that appear to be damaged, bent, rusty or corroded.

⚠ CAUTION: Load the same type, size and uniform length of staples when loading multiple strips of staples in the magazine.

NOTICE: Handle the staples and their box carefully. If the staples have been handled roughly, they may be bent out of shape, causing poor staple feed or jamming.

NOTICE: Avoid storing the staples in a very humid or hot place or place exposed to direct sunlight.

Loading staples

⚠ WARNING: When loading staples, always make sure that the battery cartridge is removed from the stapler. Unintentional firing may cause personal injuries and property damage.

⚠ CAUTION: After loading staples, make sure that the sub magazine is surely closed. Falling staples out of the magazine may cause an injury to the operator or bystander, especially when working in high locations.

1. Remove the battery cartridge.
2. Press the locking lever and slide the sub magazine backward.

► **Fig.6:** 1. Locking lever 2. Sub magazine

3. Load staples into the main magazine with their feet facing up.

► **Fig.7:** 1. Staples 2. Main magazine

4. After loading staples, push back the sub-magazine in place until it clicks.

To remove staples, follow the installation procedures in reverse.

Hook

⚠ CAUTION: Do not hang the hook from the waist belt. Dropping the stapler, which is caused by the hook accidentally coming out of place, may cause unintentional firing and result in personal injuries.

► **Fig.8**

The hook is convenient for temporarily hanging the tool. This can be installed on either side of the tool.

To install the hook, insert it into a groove in the tool housing on either side and then secure it with a screw. To remove, loosen the screw and then take it out.

► **Fig.9:** 1. Groove 2. Hook 3. Screw

OPERATION

Testing the safety system

⚠ WARNING: Make sure all safety systems are in working order before operation. Failure to do so may cause personal injuries.

- **Fig.10:** 1. Trigger-lock button 2. Switch trigger 3. Contact element 4. Sub magazine

Test safety systems for possible fault before operation as follows.

1. Unload staples from the tool and keep the sub magazine opened.
2. Install the battery cartridge.
3. Only pull the switch trigger without touching the contact element against the material.
4. Only touch the contact element against the material without pulling the switch trigger.

If the tool operates in the case of 3 and 4 above, the safety systems are faulty. Stop using the tool immediately and ask your local service center.

Driving staples

⚠ WARNING: Continue to place the contact element firmly on the material until the staple is driven completely. Unintentional firing may cause personal injuries.

- **Fig.11:** 1. Switch trigger 2. Contact element 3. Front part 4. Rear part

You can operate the tool in either way of "single sequential actuation" or "contact actuation".

Single sequential actuation:

In this mode, you can drive one staple by one sequential operation.

1. Place flat the contact element on the material.
2. Hold both of the front part and the rear part of the tool firmly against the material.
3. Pull the switch trigger fully to drive the staples.
4. Release your finger from the switch trigger before move the contact element from the material.

Contact actuation:

In this mode, you can drive staples sequentially.

1. Pull the switch trigger.
2. With the switch trigger pulled, place flat the contact element on the material to drive the staples.
3. Move the tool to the next area and place flat the contact element on the material again.

NOTE: The groove indicates the point that staple is driven.

► **Fig.12:** 1. Groove

If the head of the staple remains above the workpiece surface, drive the staple while holding the stapler head firmly against the workpiece.

► **Fig.13**

NOTE: If the head of the staple still remains above the workpiece even you hold the stapler head, the material may not be suitable for the stapler. Continuing to use the stapler on such material may result in a damage to the driver of the stapler and/or stapler jamming.

Anti dry fire mechanism

⚠ WARNING: When loading staples, always make sure that the battery cartridge is removed from the stapler. Unintentional firing may cause personal injuries and property damage.

This tool is equipped with an anti dry fire mechanism. When the number of remaining staples in the magazine becomes 5 - 8 pieces, the switch trigger can no longer be pulled. At this time, insert a new strip of staples in the magazine. The switch trigger can be pulled again.

Checking remaining staples

► **Fig.14:** 1. Sight window 2. Pusher 3. Staples

Remaining staples can be checked through the sight window.

Reload staples when no remaining staples can be seen in the sight window.

Removing jammed staples

⚠ WARNING: Always make sure that the battery cartridge is removed before removing jammed staples.

Open the sub magazine backward and take out jammed staples from the opening for firing.

► **Fig.15:** 1. Opening 2. Sub magazine

MAINTENANCE

⚠ CAUTION: Always be sure that the tool is switched off and the battery cartridge is removed before attempting to perform inspection or maintenance.

NOTICE: Never use gasoline, benzine, thinner, alcohol or the like. Discoloration, deformation or cracks may result.

To maintain product SAFETY and RELIABILITY, repairs, any other maintenance or adjustment should be performed by Makita Authorized or Factory Service Centers, always using Makita replacement parts.

OPTIONAL ACCESSORIES

⚠ CAUTION: These accessories or attachments are recommended for use with your Makita tool specified in this manual. The use of any other accessories or attachments might present a risk of injury to persons. Only use accessory or attachment for its stated purpose.

If you need any assistance for more details regarding these accessories, ask your local Makita Service Center.

- Staples
- Makita genuine battery and charger
- Safety goggles
- Depth adjuster set

NOTE: Some items in the list may be included in the tool package as standard accessories. They may differ from country to country.

DANE TECHNICZNE

Model:	ST113D	
Szerokość zszywki	10 mm	
Długość zszywek	7 mm – 10 mm	
Pojemność zasobnika na zszywki	150 szt.	
Wymiary bez zaczepu (dług. x szer. x wys.)	211 mm x 81 mm x 159 mm	
Napięcie znamionowe	Napięcie stałe 10,8–12 V maks.	
Akumulator	BL 1015, BL 1016, BL 1020B, BL 1021B	BL 1040B, BL 1041B
Ciężar netto	1,3 kg	1,5 kg

- W związku ze stale prowadzonym przez naszą firmę programem badawczo-rozwojowym niniejsze dane mogą ulec zmianom bez wcześniejszego powiadomienia.
- W innych krajach urządzenie może mieć odmienne parametry techniczne i może być wyposażone w inny akumulator.
- Masa urządzenia wraz z akumulatorem obliczona zgodnie z procedurą EPTA 01/2003

Przeznaczenie

Narzędzie to jest przeznaczone do wbijania zszywek w materiały budowlane, takie jak drewno.

Hałas

Typowy równoważny poziom dźwięku A określony w oparciu o normę EN60745:

Poziom ciśnienia akustycznego (L_{pA}): 75 dB(A)

Niepewność (K): 3 dB(A)

Poziom hałasu podczas pracy może przekraczać 80 dB (A).

⚠ OSTRZEŻENIE: Nosić ochronniki słuchu.

Drgania

Całkowita wartość poziomu drgań określona według EN60745:

Emisja drgań (a_h): 2,5 m/s² lub mniej

Niepewność (K): 1,5 m/s²

WSKAZÓWKA: Deklarowana wartość wytwarzanych drgań została zmierzona zgodnie ze standardową metodą testową i można ją wykorzystać do porównywania narzędzi.

WSKAZÓWKA: Deklarowaną wartość wytwarzanych drgań można także wykorzystać we wstępnej ocenie narażenia.

⚠ OSTRZEŻENIE: Drgania wytwarzane podczas rzeczywistego użytkowania elektronarzędzia mogą się różnić od wartości deklarowanej, w zależności od sposobu jego użytkowania.

⚠ OSTRZEŻENIE: W oparciu o szacowane narażenie w rzeczywistych warunkach użytkowania należy określić środki bezpieczeństwa w celu ochrony operatora (uwzględniając wszystkie elementy cyklu działania, tj. czas, kiedy narzędzie jest wyłączone i kiedy pracuje na biegu jałowym, a także czas, kiedy jest włączone).

Deklaracja zgodności WE

Dotyczy tylko krajów europejskich

Deklaracja zgodności WE jest dołączona jako załącznik A do niniejszej instrukcji obsługi.

OSTRZEŻENIA DOTYCZĄCE BEZPIECZEŃSTWA

Ogólne zasady bezpiecznej eksploatacji elektronarzędzi

⚠ OSTRZEŻENIE: Należy zapoznać się z ostrzeżeniami dotyczącymi bezpieczeństwa, instrukcjami, ilustracjami i danymi technicznymi dołączonymi do tego elektronarzędzia. Niezastosowanie się do podanych poniżej instrukcji może prowadzić do porażenia prądem, pożaru i/lub poważnych obrażeń ciała.

Wszystkie ostrzeżenia i instrukcje należy zachować do wykorzystania w przyszłości.

Pojęcie „elektronarzędzie”, występujące w wymienionych tu ostrzeżeniach, odnosi się do elektronarzędzia zasilanego z sieci elektrycznej (z przewodem zasilającym) lub do elektronarzędzia akumulatorowego (bez przewodu zasilającego).

Ostrzeżenia dotyczące bezpieczeństwa dla zsywacza akumulatorowego

1. Należy zawsze zakładać, że w narzędziu znajdują się elementy złączne. Niedbalosc przy posługiwaniu się zsywaczem może spowodować przypadkowe wystrzelenie elementów złącznych i obrażenia ciała.
2. Narzędzia nie wolno kierować na siebie ani innych ludzi. Pr przypadkowe uruchomienie spowoduje wystrzelenie elementu złącznego i zranienie.
3. Narzędzie wolno uruchomić tylko, gdy jest mocno przyłożone do materiału. Jeśli narzędzie nie styka się pewnie z materiałem, element złączny może nie trafić w przewidziane miejsce.
4. Gdy element złączny zablokuje się w narzędziu, należy je odłączyć od zasilania. Jeśli zsywacz jest podłączony do zasilania, może się niespodziewanie uruchomić podczas usuwania zablokowanego elementu złącznego.
5. Zablokowany element złączny należy usuwać bardzo ostrożnie. W mechanizm może być napięty i spowodować silne wystrzelenie elementu złącznego podczas odblokowywania.
6. Tego zsywacza nie wolno używać do mocowania przewodów elektrycznych. Narzędzie nie jest przeznaczone do instalowania przewodów elektrycznych i może uszkodzić izolację przewodów, co grozi porażeniem prądem elektrycznym lub pożarem.
7. Należy zawsze nosić gogle lub okulary ochronne z bocznymi osłonami, a w razie potrzeby pełną maskę chroniącą twarz.
8. Dłonie i stopy powinny znajdować się poza obszarem otworu wylotowego.
9. Przed załadowaniem elementów złącznych do narzędzia, przystąpieniem do czynności regulacyjnych, kontrolnych, konserwacyjnych oraz po zakończeniu pracy należy zawsze wyjąć akumulator.
10. Przed rozpoczęciem pracy należy się upewnić, że nikogo nie ma w pobliżu. Nie wolno wbijać elementów złącznych z obydwu stron ściany jednocześnie. Elementy złączne mogą przebić się na wylot i/lub zostać wyrzucone w powietrze, stwarzając poważne niebezpieczeństwo.
11. Podczas pracy z narzędziem należy zadbać o dobre oparcie dla nóg i utrzymywanie równowagi. W przypadku pracy na pewnej wysokości upewnić się, że na dole nie przebywają żadne osoby.
12. Aby uniknąć porażenia prądem, wycieku gazu, wybuchu i innych wypadków powodowanych wstrzeliwaniem zsywek w przewody pod napięciem lub rury gazowe, należy przed pracą dokładnie sprawdzić ściany, sufity, podłogi, dachy itp.
13. Należy używać wyłącznie elementów złącznych określonych w niniejszej instrukcji. Użycie jakichkolwiek innych elementów złącznych może spowodować nieprawidłową pracę narzędzia.

14. Narzędziem tym nie należy posługiwać się nieodpowiedzialnie ani używać go do innych celów poza wbijaniem elementów złącznych.
15. Nie należy używać narzędzia bez elementów złącznych. Skracca to czas eksploatacji narzędzia.
16. W przypadku wykrycia nieprawidłowego lub nietypowego działania narzędzia należy natychmiast przerwać pracę.
17. Nigdy nie używać elementów złącznych na materiale, który może zostać przez nie przebity i przez który mogą przelecieć jak pocisk.
18. Nie należy ciągnąć za spust przełącznika ani przykładać końcówki kontaktowej do powierzchni bez przygotowania do pracy z łączonym materiałem. Nie należy uniemożliwiać działania końcówki kontaktowej, np. unieruchamiając ją w położeniu zwolnionym lub naciskając ją ręka.
19. Nie modyfikować końcówki kontaktowej. Często sprawdzać prawidłowe działanie końcówki kontaktowej.

ZACHOWAĆ NINIEJSZE INSTRUKCJE.

⚠ OSTRZEŻENIE: NIE WOLNO pozwolić, aby wygoda lub rutyna (nabyta w wyniku wielokrotnego używania urządzenia) zastąpiły ściśle przestrzeganie zasad bezpieczeństwa obsługi. NIEWŁAŚCIWE UŻYTKOWANIE narzędzia lub niestosowanie się do zasad bezpieczeństwa podanych w niniejszej instrukcji obsługi może prowadzić do poważnych obrażeń ciała.

Ważne zasady bezpieczeństwa dotyczące akumulatora

1. Przed użyciem akumulatora zapoznać się ze wszystkimi instrukcjami i znakami ostrzegawczymi na (1) ładowarce, (2) akumulatorze i (3) produkcie, w którym będzie używany akumulator.
2. Akumulatora nie wolno rozbierać.
3. Jeśli czas działania uległ znacznemu skróceniu, należy natychmiast przerwać pracę. Może bowiem dojść do przegrzania, ewentualnych poparzeń, a nawet eksplozji.
4. W przypadku przedostania się elektrolitu do oczu, przemyć je czystą wodą i niezwłocznie uzyskać pomoc lekarską. Może on bowiem spowodować utratę wzroku.
5. Nie doprowadzać do zwarcia akumulatora:
 - (1) Nie dotykać styków materiałami przewodzącymi prąd.
 - (2) Unikać przechowywania akumulatora w pojemniku z metalowymi przedmiotami, takimi jak gwoździe, monety itp.
 - (3) Chronić akumulator przed deszczem lub wodą.Zwarcie prowadzi do przepływu prądu elektrycznego o dużym natężeniu i przegrzania akumulatora, co w konsekwencji może grozić poparzeniami a nawet awarią urządzenia.

6. Narzędzia i akumulatora nie wolno przechowywać w miejscach, w których temperatura osiąga bądź przekracza 50°C (122°F).
7. Akumulatorów nie wolno spalać, również tych poważnie uszkodzonych lub całkowicie zużytych. Akumulator może eksplodować w ogniu.
8. Chronić akumulator przed upadkiem i uderzeniami.
9. Nie wolno używać uszkodzonego akumulatora.
10. Stanowiące wyposażenie akumulatory litowo-jonowe podlegają przepisom dotyczącym produktów niebezpiecznych.
Na potrzeby transportu komercyjnego, np. świadczonego przez firmy trzecie czy spedycyjne, należy przestrzegać specjalnych wymagań w zakresie pakowania i oznaczania etykietami. Przygotowanie produktu do wysyłki wymaga skonsultowania się ze specjalistą ds. materiałów niebezpiecznych. Należy także przestrzegać przepisów krajowych, które mogą być bardziej szczegółowe.
Zakleić taśmą lub zaślepić otwarte styki akumulatora oraz zabezpieczyć go, aby nie mógł się przesunąć w opakowaniu.
11. Postępować zgodnie z przepisami lokalnymi dotyczącymi usuwania akumulatorów.
12. Używać akumulatorów tylko z produktami określonymi przez firmę Makita. Zastosowanie akumulatorów w niezgodnych produktach może spowodować pożar, przegrzanie, wybuch lub wyciek elektrolitu.

ZACHOWAĆ NINIEJSZE INSTRUKCJE.

⚠ PRZESTROGA: Używać wyłącznie oryginalnych akumulatorów firmy Makita. Używanie nieoryginalnych akumulatorów firm innych niż Makita lub akumulatorów, które zostały zmodyfikowane, może spowodować wybuch akumulatora i pożar, obrażenia ciała oraz zniszczenie mienia. Stanowi to również naruszenie warunków gwarancji firmy Makita dotyczących narzędzia i ładowarki.

Wskazówki dotyczące zachowania maksymalnej trwałości akumulatora

1. Akumulator należy naładować zanim zostanie do końca rozładowany. Po zauważeniu spadku mocy narzędzia należy przerwać pracę i naładować akumulator.
2. Nie wolno ładować повторно w pełni naładowanego akumulatora. Przeładowanie akumulatora skraca jego trwałość.
3. Akumulator należy ładować w temperaturze pokojowej w przedziale 10–40°C (50–104°F). W przypadku gorącego akumulatora przed przystąpieniem do ładowania należy poczekać, aż ostygnie.

OPIS DZIAŁANIA

⚠ PRZESTROGA: Przed przystąpieniem do regulacji lub przeglądu narzędzia upewnić się, że jest ono wyłączone, a akumulator został wyjęty.

Wkładanie i wyjmowanie akumulatora

⚠ PRZESTROGA: Przed włożeniem lub wyjęciem akumulatora należy zawsze wyłączyć narzędzie.

⚠ PRZESTROGA: Podczas wkładania lub wyjmowania akumulatora należy mocno trzymać narzędzie i akumulator. W przeciwnym razie mogą się one wyślizgnąć z rąk, powodując uszkodzenie narzędzia lub akumulatora i obrażenia ciała.

► **Rys.1:** 1. Czerwony wskaźnik 2. Przycisk 3. Akumulator

Aby wyjąć akumulator, przesunąć przycisk znajdujący się w przedniej jego części i wysunąć akumulator.

Aby włożyć akumulator, wyrównaj występ na akumulatorze z rowkiem w obudowie i wsuń go na swoje miejsce. Akumulator należy wsunąć do oporu, aż się zatrzaśnie na miejscu, co jest sygnalizowane delikatnym kliknięciem. Jeśli w górnej części przycisku jest widoczny czerwony wskaźnik, akumulator nie został całkowicie zatrzaśnięty.

⚠ PRZESTROGA: Akumulator należy włożyć do końca, tak aby czerwony wskaźnik nie był widoczny. W przeciwnym razie może przypadkowo wypaść z narzędzia, powodując obrażenia operatora lub osób postronnych.

⚠ PRZESTROGA: Nie wkładać akumulatora na siłę. Jeśli akumulator nie daje się swobodnie wsunąć, oznacza to, że został włożony nieprawidłowo.

Układ zabezpieczenia akumulatora

Narzędzie jest wyposażone w układ zabezpieczenia akumulatora. Układ automatycznie odcina zasilanie silnika w celu wydłużenia trwałości akumulatora. Narzędzie zostanie automatycznie zatrzymane podczas pracy w następujących sytuacjach związanych z narzędziem/akumulatorem:

Przeciążenie:

Narzędzie pracuje w sposób, który powoduje pobór nadmiernie wysokiego prądu. W takiej sytuacji należy wyłączyć narzędzie i zaprzestać wykonywania czynności powodującej przeciążenie narzędzia. Następnie należy włączyć narzędzie w celu jego ponownego uruchomienia. Jeśli narzędzie nie uruchomi się, oznacza to, że akumulator jest przegrzany. W takiej sytuacji, przed ponownym uruchomieniem narzędzia należy odczekać, aż akumulator ostygnie.

Niskie napięcie akumulatora:


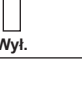
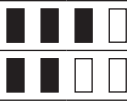
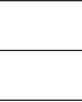




Stan naładowania akumulatora jest zbyt niski, aby narzędzie mogło pracować. Po włączeniu narzędzia silnik nie uruchamia się lub uruchamia się i po chwili zatrzymuje się. W takiej sytuacji należy wyjąć akumulator i go naładować.

Wskazanie stanu naładowania akumulatora

Tylko w przypadku akumulatorów ze wskaźnikiem

► **Rys.2:** 1. Lampki wskaźnika 2. Przycisk kontrolny

Nacisnąć przycisk kontrolny na akumulatorze w celu wyświetlenia stanu naładowania akumulatora. Lampki wskaźnika zaświecą się przez kilka sekund.

Lampki wskaźnika		Poziom naładowania akumulatora
Świeci się	Wył.	
		75–100%
		50–75%
		25–50%
		0–25%

WSKAZÓWKA: Zależnie od warunków użytkowania i temperatury otoczenia, wskazywany poziom może nieznacznie się różnić od rzeczywistego stanu naładowania akumulatora.

Działanie przełącznika

▲ **PRZESTROGA:** Przed włożeniem akumulatora do narzędzia należy zawsze sprawdzić, czy spust przełącznika działa prawidłowo i czy powraca do położenia wyłączenia po jego zwolnieniu.

▲ **PRZESTROGA:** Jeżeli narzędzie nie będzie używane, należy wcisnąć przycisk blokady spustu od strony B, aby zablokować spust przełącznika w pozycji wyłączenia.

► **Rys.3:** 1. Przycisk blokady spustu 2. Spust przełącznika

► **Rys.4**

Narzędzie zostało wyposażone w przycisk blokady spustu, który zapobiega przypadkowemu pociągnięciu za spust przełącznika.

Aby pociągnąć za spust przełącznika, należy wcisnąć przycisk blokady spustu od strony A.

Po pracy należy zawsze wcisnąć przycisk blokady spustu od strony B.

Włączanie lampki

▲ **PRZESTROGA:** Nie patrzeć na światło ani bezpośrednio na źródło światła.

► **Rys.5:** 1. Lampka

Aby włączyć lampkę, pociągnąć spust przełącznika lub poruszyć końcówką kontaktową. Lampka świeci, dopóki spust przełącznika lub końcówka kontaktowa są naciśnięte. Lampka oświetlenia wyłącza się po około 10 s od zwolnienia spustu przełącznika i końcówki kontaktowej.

WSKAZÓWKA: Aby usunąć zabrudzenia z klosza lampki, należy użyć suchej szmatki. Uważać, aby nie zarysować klosza lampki, gdyż może to zmniejszyć natężenie oświetlenia.

MONTAŻ

▲ **PRZESTROGA:** Przed przystąpieniem do jakichkolwiek czynności związanych z obsługą zszywacza należy koniecznie upewnić się, że akumulator został wyjęty.

Zszywki

▲ **PRZESTROGA:** Nie używać zszywek uszkodzonych, pogiętych, zardzewiałych, skorodowanych ani innych niż te, które wskazano w niniejszej instrukcji obsługi.

▲ **PRZESTROGA:** Do magazynku należy ładować paski zszywek tego samego rodzaju, grubości i długości.

UWAGA: Należy ostrożnie obchodzić się ze zszywkami i ich opakowaniem. Niewłaściwe obchodzenie się ze zszywkami może spowodować ich wygięcie, co z kolei prowadzi do problemów z ich podawaniem lub ich zakleszczaniem.

UWAGA: Unikać przechowywania zszywek w bardzo wilgotnym lub ciepłym miejscu i nie wystawiać ich na działanie bezpośredniego promieniowania słonecznego.

Ładowanie zszywek

▲ **OSTRZEŻENIE:** Podczas ładowania zszywek należy upewnić się, że akumulator został wyjęty ze zszywacza. Prypadkowe wystrzelenie może spowodować obrażenia ciała oraz uszkodzenie mienia.

▲ **PRZESTROGA:** Po załadowaniu zszywek należy sprawdzić, czy magazynek pomocniczy jest prawidłowo zamknięty. Wypadające z magazynku zszywki mogą spowodować obrażenia ciała operatora lub osoby postronnej, szczególnie podczas pracy na wysokości.

1. Wyjąć akumulator.
2. Nacisnąć dźwignię blokady i przesunąć magazynek pomocniczy do tyłu.
► **Rys.6:** 1. Dźwignia blokady 2. Magazynek pomocniczy
3. Załadować zszywki do magazynku głównego w taki sposób, aby ich nóżki skierowane były do przodu.
► **Rys.7:** 1. Zszywki 2. Magazynek główny
4. Po załadowaniu zszywek popchnąć magazynek pomocniczy do przodu aż do usłyszenia kliknięcia.

Aby wyjąć zszywki, należy wykonać czynności procedury wkładania w odwrotnej kolejności.

Zaczep

⚠ PRZESTROGA: Nie zawieszaj zaczepu na pasku spodni. Upuszczenie zszywacza, spowodowane odzepieniem się zaczepu, może doprowadzić do przypadkowego wystrzelenia zszywki i obrażeń ciała.

► Rys.8

Zaczep służy do wygodnego, tymczasowego zawieszania narzędzia. Można go zamontować z jednej lub z drugiej strony narzędzia.

Aby zamontować zaczep, należy wsunąć go w rowek w obudowie narzędzia znajdujący się z obu stron, a następnie przykręcić go wkrętem. Aby wymontować zaczep, należy odkręcić wkręt i wyjąć zaczep.

► Rys.9: 1. Rowek 2. Zaczep 3. Śruba

OBSŁUGA

Sprawdzanie systemów bezpieczeństwa

⚠ OSTRZEŻENIE: Przed przystąpieniem do pracy należy sprawdzić działanie wszystkich układów bezpieczeństwa. Niezastosowanie się do tej zasady może spowodować obrażenia ciała.

► Rys.10: 1. Przycisk blokady spustu 2. Spust przelącznika 3. Końcówka kontaktowa 4. Magazynek pomocniczy

Przed przystąpieniem do pracy należy sprawdzić, czy układy bezpieczeństwa działają prawidłowo.

1. Wyjąć zszywki z narzędzia i pozostawić magazynek pomocniczy otwarty.
2. Włożyć akumulator.
3. Pociągnąć za spust przelącznika bez przykładania końcówki kontaktowej do materiału.
4. Przyłożyć końcówkę kontaktową do materiału bez pociągania za spust przelącznika.

Jeśli narzędzie zadziała w przypadkach 3 i 4 opisanych powyżej, układy bezpieczeństwa nie działają prawidłowo. Zaprzestać niezwłocznie użytkowania narzędzia i skontaktować się z lokalnym punktem centrum serwisowym.

Wbijanie zszywek

⚠ OSTRZEŻENIE: Przez cały czas dociskać końcówkę kontaktową mocno do materiału, aż do całkowitego wbicia zszywki. Przynadkowe wystrzelenie może spowodować obrażenia ciała.

► Rys.11: 1. Spust przelącznika 2. Końcówka kontaktowa 3. Część przednia 4. Część tylna

Narzędzie można pracować w dwóch trybach: „wbijania pojedynczego” lub „wbijania kontaktowego”.

Wbijanie pojedyncze:

Tryb ten umożliwia wbicie jednej zszywki w czasie jednej sekwencji.

1. Przyłożyć końcówkę kontaktową równo do materiału.
2. Przytrzymać przednią i tylną część narzędzia przylegającego do powierzchni materiału.
3. Pociągnąć za spust przelącznika, aby wbić zszywkę.
4. Zwolnić spust przelącznika przed oderwaniem końcówki kontaktowej od materiału.

Wbijanie kontaktowe:

Tryb ten umożliwia wbijanie zszywek w sposób powtarzalny.

1. Pociągnąć za spust przelącznika.
2. Przytrzymując pociągnięty spust przelącznika, przyłożyć końcówkę kontaktową równo do materiału, aby wbić zszywkę.
3. Przenieść narzędzie do innego miejsca i ponownie przyłożyć końcówkę kontaktową do materiału.

WSKAZÓWKA: Rowek wskazuje miejsce wbicia zszywki.

► Rys.12: 1. Rowek

Jeśli główka wbijanej zszywki wystaje ponad powierzchnię materiału, należy zwrócić uwagę, aby wbijać zszywki, dociskając mocno głowicę zszywacza do materiału.

► Rys.13

WSKAZÓWKA: Jeśli główka wbijanej zszywki ciągle wystaje ponad powierzchnię materiału, mimo mocnego dociskania głowicy zszywacza, materiał może być nieodpowiedni dla zszywacza. Dalsze używanie zszywacza w takim materiale może spowodować uszkodzenie młotka zszywacza i/lub zablokowanie zszywacza.

Mechanizm zabezpieczający przed pustym wystrzałem

⚠ OSTRZEŻENIE: Podczas ładowania zszywek należy upewnić się, że akumulator został wyjęty ze zszywacza. Przynadkowe wystrzelenie może spowodować obrażenia ciała oraz uszkodzenie mienia.

To narzędzie ma mechanizm zabezpieczający przed pustym wystrzałem (bez zszywki). Gdy liczba zszywek pozostałych w magazynku spadnie do 5–8 sztuk, spust przelącznika nie zadziała. Należy wtedy umieścić nowy pasek zszywek w magazynku. Przywróci to normalne działanie spustu przelącznika.

Sprawdzanie ilości pozostałych zszywek

► Rys.14: 1. Okienko wskaźnika 2. Popychacz 3. Zszywki

Ilość pozostałych zszywek można sprawdzić przez okienko wskaźnika.

Jeśli w okienku wskaźnika nie widać już zszywek, należy załadować nowe zszywki.

Usuwanie zablokowanych zszywek

⚠ OSTRZEŻENIE: Przed przystąpieniem do usuwania zablokowanych zszywek należy zawsze upewnić się, że akumulator jest wyjęty.

Otworzyć magazynek pomocniczy do tyłu i wyjąć zablokowane zszywki z otworu wylotowego.

► Rys.15: 1. Otwieranie 2. Magazynek pomocniczy

KONSERWACJA

⚠ PRZESTROGA: Przed przystąpieniem do przeglądu narzędzia lub jego konserwacji upewnij się, że jest ono wyłączone, a akumulator wyjęty.

UWAGA: Nie stosować benzyny, rozpuszczalników, alkoholu itp. środków. Mogą one powodować odbarwienia, odkształcenia lub pęknięcia.

W celu zachowania odpowiedniego poziomu BEZPIECZEŃSTWA i NIEZAWODNOŚCI produktu wszelkie naprawy i różnego rodzaju prace konserwacyjne lub regulacje powinny być przeprowadzane przez autoryzowany lub fabryczny punkt serwisowy narzędzi Makita, zawsze z użyciem oryginalnych części zamiennej Makita.

AKCESORIA OPCJONALNE

⚠ PRZESTROGA: Zaleca się stosowanie wymienionych akcesoriów i przystawek razem z narzędziem Makita opisanym w niniejszej instrukcji. Stosowanie innych akcesoriów lub przystawek może być przyczyną obrażeń ciała. Akcesoria lub przystawki należy wykorzystywać tylko zgodnie z ich przeznaczeniem.

W razie potrzeby wszelkiej pomocy i szczegółowych informacji na temat niniejszych akcesoriów udziela Państwu lokalne punkty serwisowe Makita.

- Zszywki
- Oryginalny akumulator i ładowarka firmy Makita
- Gogle ochronne
- Zestaw regulatora głębokości

WSKAZÓWKA: Niektóre pozycje znajdujące się na liście mogą być dołączone do pakietu narzędziowego jako akcesoria standardowe. Mogą to być różne pozycje, w zależności od kraju.

RÉSZLETES LEÍRÁS

Típus:	ST113D	
U-kapocs szélessége	10 mm	
Alkalmazható U-kapcsok hossza	7 mm - 10 mm	
U-kapocs-tár kapacitása	150 pcs	
Méreték az akasztó nélkül (H x SZ x M)	211 mm x 81 mm x 159 mm	
Névleges feszültség	10,8 V - 12 V max., egyenáram	
Akkumulátor	BL 1015, BL 1016, BL 1020B, BL 1021B	BL 1040B, BL 1041B
Tiszta tömeg	1,3 kg	1,5 kg

- Folyamatos kutató- és fejlesztőprogramunk eredményeként az itt felsorolt tulajdonságok figyelmeztetés nélkül megváltozhatnak.
- A műszaki adatok és az akkumulátor országokként változhatnak.
- Súly az akkumulátorral, a 01/2003 EPTA eljárás szerint meghatározva

Rendeltetés

A gép U-kapcsok építőanyagokba, például faanyagokba történő belövésére használható.

Zaj

A tipikus A-súlyozású zajszint, a EN60745 szerint meghatározva: Hangnyomásszint (L_{pA}): 75 dB(A)
Bizonytalanság (K): 3 dB(A)

A zajszint a munkavégzés során meghaladhatja a 80 dB (A) értéket.

▲FIGYELMEZTETÉS: Viseljen fülvédőt!

Vibráció

A vibráció EN60745 szerint meghatározott összértéke: Rezgés kibocsátás (a_{hV}): 2,5 m/s² vagy kisebb
Bizonytalanság (K): 1,5 m/s²

MEGJEGYZÉS: A rezgés kibocsátás értéke a szabványos vizsgálati eljárásnak megfelelően lett mérve, és segítségével az elektromos kéziszerszámok összehasonlíthatók egymással.

MEGJEGYZÉS: A rezgés kibocsátás értékének segítségével előzetesen megbecsülhető a rezgésnek való kitettség mértéke.

▲FIGYELMEZTETÉS: A szerszám rezgés kibocsátása egy adott alkalmazásnál eltérhet a megadott értéktől a használat módjától függően.

▲FIGYELMEZTETÉS: Határozza meg a kezelő védelmét szolgáló munkavédelmi lépéseket, melyek az adott munkafeltételek melletti vibrációs hatás becslött mértékén alapulnak (figyelembe véve a munkaciklus elemeit, mint például a gép leállításának és üresjáratának mennyiségét az elindítások száma mellett).

EK Megfelelőségi nyilatkozat

Csak európai országokra vonatkozóan

Az EK-megfelelőségi nyilatkozat az útmutató „A” mellékletében található.

BIZTONSÁGI FIGYELMEZTETÉS

A szerszámgépekre vonatkozó általános biztonsági figyelmeztetések

▲FIGYELMEZTETÉS: Olvassa el a szerszámgéphez mellékelte összes biztonsági figyelmeztetést, utasítást, illusztrációt és a műszaki adatokat.
A következőkben leírt utasítások figyelmen kívül hagyása elektromos áramütést, tüzet és/vagy súlyos sérülést eredményezhet.

Őrizzen meg minden figyelmeztetést és utasítást a későbbi tájékozódás érdekében.

A figyelmeztetésekben szereplő "szerszámgép" kifejezés az Ön hálózatról (vezetékes) vagy akkumulátorról (vezeték nélküli) működtetett szerszámgépére vonatkozik.

Az akkumulátoros tűzölgépre vonatkozó biztonsági figyelmeztetések

1. **Mindig ellenőrizze, hogy a szerszám nem tartalmaz-e kötételeket.** A tűzölgép gondatlan kezelése a kötételek váratlan kilövéséhez, valamint személyi sérüléshez vezethet.
2. **Ne tartsa a szerszámot maga, vagy az Ön közelében lévő más személyek felé.** A váratlan kioldás a kilőtt kötételelmelemmel sérülést okozhat.
3. **Addig ne indítsa be a gépet, amíg nem tartja stabilan a munkadarabon.** Amennyiben a gép és a munkadarab nem érintkeznek, előfordulhat, hogy a kötételelem lepattan a munkadarabbról.
4. **Ha a kötételelem a gépbe szorult, csatlakoztassa le a gépet az áramforrásról.** Ha áramforráshoz csatlakoztatott tűzölgépből próbálja meg eltávolítani a beszorult kötételemet, előfordulhat, hogy a tűzölgép véletlenül működésbe lép.

5. A beszorult kötőelem eltávolításakor megfelelő elővigyázatossággal járjon el. A mechanizmus összenyomott állapotban lehet, így a beszorult kötőelem eltávolítása közben nagy erővel löheti ki a kötőelemet.
6. Ne használja a tűzőgépet elektromos vezetékek rögzítésére. A gép nem alkalmas elektromos vezetékek felszerelésére, mert megrongálhatja a vezeték szigetelését, ami áramütéssel vagy tüzesettel járhat.
7. Mindig viseljen védőszemüveget vagy oldalpajzsát ellátott szemvédőt, valamint szükség esetén teljes arcvédőt.
8. Tartsa távol kezét és lábait a kivezetőnyílástól.
9. Mindig távolítsa el az akkumulátort a kötőelem betöltése, valamint a szerszám beállítás, ellenőrzése és karbantartása előtt, illetve a használat befejezésekor is.
10. A használat megkezdése előtt győződjön meg arról, hogy senki sem tartózkodik a munkaterületen. Soha ne próbálja a kötőelemeket egyszerre a munkadarab mindkét oldaláról belőni. A kötőelemek átszakíthatják a munkadarabot, esetleg kirepülhetnek, komoly veszélyt okozva.
11. Ha a szerszám a kezében van, ügyeljen a stabil testtartásra és egyensúly megőrzésére. Ha magasban dolgozik, győződjön meg arról, hogy senki sem tartózkodik a munkaterület alatt.
12. Gondosan ellenőrizze a falakat, mennyezeteket, padlókat, a tetőszerkezetet és a hasonló elemeket, hogy elkerülhesse az áramütést, gázszivárgást, robbanást stb. egy áram alatt lévő vezetékbe, csővezetékbe vagy gázcsőbe lött kötőelemmel.
13. Csak a kézikönyvben megadott kötőelemeket használja. Másfajta kötőelemek használata a szerszám hibás működését okozhatja.
14. Ne végezzen módosításokat a gépen, és ne próbálja a kötőelemek belövésén kívül másra használni.
15. Ne működtesse a gépet, ha nincsenek betöltve kötőelemek. Ezzel lerövidíti a gép élettartamát.
16. Ha szokatlan jelenséget vagy bármilyen hibát észlel a gép működése során, akkor azonnal hagyja abba a kötőelemek belövését.
17. Soha ne lőjön kötőelemeket olyan anyagokba, amelyeket a kötőelemek átlukaszthatnak, és amelyek keresztül lövedékszerűen átrepülhetnek.
18. Amíg fel nem készült a munkadarabok összekapcsolására, ne hozza működésbe a kapcsológombot és az érintkezőelemet. Soha ne iktassa ki az érintkezőelemet pozíciójának rögzítésével vagy azzal, hogy kézzel benyomja.
19. Ne végezzen módosításokat az érintkezőelemen. Gyakorta ellenőrizze az érintkezőelem megfelelő működését.

ŐRIZZE MEG EZEKET AZ UTASÍTÁSOKAT.

▲ FIGYELMEZTETÉS: NE HAGYJA, hogy (a termék többszöri használatából eredő) kényelem és megszokás váltsa fel a termék biztonsági előírásainak szigorú betartását. A **HELYTELEN HASZNÁLAT** és a használati útmutatóban szereplő biztonsági előírások megszegése súlyos személyi sérülésekhez vezethet.

Fontos biztonsági utasítások az akkumulátorra vonatkozóan

1. Az akkumulátor használata előtt tanulmányozza át az akkumulátortöltőt (1), az akkumulátor (2) és az akkumulátorral működtetett terméket (3) olvasható összes utasítást és figyelmeztető jelzést.
2. Ne szerelje szét az akkumulátort.
3. Ha a működési idő nagyon lerövidült, azonnal hagyja abba a használatot. Ez a túlmelegedés, esetleges égések és akár robbanás veszélyével is járhat.
4. Ha elektrolit kerül a szemébe, mossa ki azt tiszta vízzel és azonnal kérjen orvosi segítséget. Ez a látásának elvesztését okozhatja.
5. Ne zárja rövidre az akkumulátort:
 - (1) Ne érjen az érintkezőkhöz elektromosan vezető anyagokkal.
 - (2) Ne tárolja az akkumulátort más fémtárgyakkal, mint pl. szegekkel, érmékkel, stb. egy helyen.
 - (3) Ne tegye ki az akkumulátort víznek vagy esőnek.

Az akkumulátor rövidzárlata nagy áramerősség, túlmelegedést, égéseket, sőt akár meghibásodást is okozhat.

6. Ne tárolja a szerszámot vagy az akkumulátort olyan helyen, ahol a hőmérséklet elérheti vagy meghaladhatja az 50 °C-ot (122 °F).
7. Ne égesse el az akkumulátort még akkor sem, ha az komolyan megsérült vagy teljesen elhasználódott. Az akkumulátor a tűzben felrobbanhat.
8. Vigyázzon, nehogy leejtse vagy megüsse az akkumulátort.
9. Ne használjon sérült akkumulátort.
10. A készülékben található lítium-ion akkumulátorokra a veszélyes árukkal kapcsolatos előírások vonatkoznak. A termék pl. harmadik felek, fuvarozó cégek stb. által történő szállítása esetén minden esetben tartsa szem előtt a csomagoláson és a címkén található speciális követelményeket. A termék szállításra történő felkészítése esetén vegye fel a kapcsolatot egy veszélyes anyagokkal foglalkozó szakemberrel. Kérjük, hogy az esetlegesen szigorúbb nemzeti előírásokat is vegye figyelembe. Ragassza le a kiálló érintkezőket, illetve oly módon csomagolja be az akkumulátort, hogy az ne tudjon elmozdulni a csomagolásban.
11. Az akkumulátor ártalmatlanításakor tartsa be a helyi előírásokat.
12. Az akkumulátorokat csak a Makita által megjelölt termékekhez használja. Ha az akkumulátorokat azokkal nem kompatibilis termékekbe helyezi, az tűzhez, túlmelegedéshez, robbanáshoz vagy elektrolíziszivárgáshoz vezethet.

ŐRIZZE MEG EZEKET AZ UTASÍTÁSOKAT.

▲ VIGYÁZAT: Csak eredeti Makita akkumulátorokat használjon. A nem eredeti Makita akkumulátorok vagy módosított akkumulátorok használatát esetén az akkumulátor felrobbanhat, ami tüzet, személyi sérülést és anyagi kárt okozhat. A Makita szerszámra és töltőre vonatkozó Makita garanciát is érvénytelenítheti.

Tippek az akkumulátor maximális élettartamának eléréséhez

1. Töltse fel az akkumulátort, mielőtt teljesen lemerülne. Állítsa le a gépet, és töltse fel az akkumulátort, ha a gép erejének csökkenését észleli.
2. Soha ne töltse újra a teljesen feltöltött akkumulátort. A túltöltés csökkenti az akkumulátor élettartamát.
3. Töltse az akkumulátort szobahőmérsékleten, 10 °C - 40 °C (50 °F - 104 °F) között. Töltés előtt hagyja lehűlni a fölforrósodott akkumulátort.

A MŰKÖDÉS LEÍRÁSA

⚠ VIGYÁZAT: Minden esetben ellenőrizze, hogy a szerszám ki van kapcsolva és az akkumulátor eltávolításra került mielőtt beállít vagy ellenőriz valamilyen funkciót a szerszámon.

Az akkumulátor behelyezése és eltávolítása

⚠ VIGYÁZAT: Mindig kapcsolja ki az eszközt, mielőtt behelyezi vagy eltávolítja az akkumulátort.

⚠ VIGYÁZAT: Az akkumulátor behelyezések vagy eltávolításakor erősen fogja meg a szerszámot és az akkumulátort. Ha nem fogja erősen a szerszámot és az akkumulátort, azok kicsúszhatnak a kezei közül, ami a szerszám és az akkumulátor károsodásához, de akár személyi sérüléshez is vezethet.

► **Ábra1:** 1. Piros jel 2. Gomb 3. Akkumulátor

Az akkumulátoregység kivételéhez nyomja be az akkumulátoregység elején található gombot, és húzza le a gépről.

Az akkumulátor beszereléséhez illessze az akkumulátor nyelvét a burkolaton található vajatba és csúsztassa a helyére. Egészen addig tolja be, amíg az akkumulátor egy kis kattánással a helyére nem ugrik. Ha látható a piros jel a gomb felső oldalán, akkor a gomb nem kattant be teljesen.

⚠ VIGYÁZAT: Mindig tolja be teljesen az akkumulátort, amíg a piros jel el nem tűnik. Ha ez nem történik meg, akkor az akkumulátor kieshet a szerszámból, és Önnek vagy a környezetében másnak sérülést okozhat.

⚠ VIGYÁZAT: Ne erőltesse az akkumulátort behelyezésre. Ha az akkumulátor nem csúszik be könnyedén, akkor nem megfelelően lett behelyezve.

Akkumulátorvédő rendszer

A szerszám akkumulátorvédő rendszerrel van felszerelve. A rendszer automatikusan lekapcsolja a motor áramellátását, így megnöveli az akkumulátor élettartamát.

A szerszám használat közben automatikusan leáll, ha a szerszám és/vagy az akkumulátor a következő helyzetbe kerül:

Túlterheltség:

A szerszámot úgy működteti, hogy áramfelvétele rendellenesen magas.

Ilyenkor kapcsolja ki a gépet, és állítsa le azt az alkalmazást, amelyik a túlterhelést okozza. Újraindításhoz kapcsolja be a gépet.

Ha a szerszám nem indul el, az akkumulátor túlmelegedett. Ilyenkor hagyja kihűlni az akkumulátort, mielőtt ismét bekapcsolná a gépet.

Az akkumulátor feszültsége alacsony:

Az akkumulátor fennmaradó kapacitása túl alacsony, a szerszámot nem tudja működtetni. A szerszám ismételt bekapcsolásakor a motor nem indul el, vagy elindul, de hamarosan le is áll. Ilyenkor vegye le és töltse fel az akkumulátort.

Az akkumulátor töltöttségének jelzése

Csak állapotjelzős akkumulátorok esetén

► **Ábra2:** 1. Jelzőlámpák 2. Check (ellenőrzés) gomb

Nyomja meg az ellenőrzőgombot, hogy az akkumulátortöltöttség-jelző megmutassa a hátralévő akkumulátor-kapacitást. Ekkor a töltöttség-szint-jelző lámpák néhány másodpercre kigyulladnak.

Jelzőlámpák		Töltöttségi szint
Világító lámpa	KI	
■ ■ ■ ■	□	75%-tól 100%-ig
■ ■ ■ □	□	50%-tól 75%-ig
■ ■ □ □	□	25%-tól 50%-ig
■ □ □ □	□	0%-tól 25%-ig

MEGJEGYZÉS: Az adott munkafeltételektől és a környezeti hőmérsékletétől függően a jelzett töltöttségi szint némileg eltérhet a tényleges töltöttségi szinttől.

A kapcsoló használata

⚠ VIGYÁZAT: Mielőtt behelyezi az akkumulátort a szerszámba, mindig ellenőrizze, hogy a kapcsológomb hibátlanul működik és felengedéskor „OFF” állásba áll-e.

⚠ VIGYÁZAT: Ha nem működteti a gépet, tolja át a kapcsolózárgombot a B oldalról, hogy a kapcsológomb KI állásba kerüljön.

► **Ábra3:** 1. Kapcsolózárgomb 2. Kapcsológomb

► **Ábra4**

A kapcsológomb véletlen benyomásának elkerülésére egy kapcsolózárgomb szolgál.

A kapcsológomb benyomásához tolja át a kapcsolózárgombot az A oldalról.

Használat után mindig tolja át a kapcsolózárgombot a B oldalról.

A lámpa bekapcsolása

⚠ VIGYÁZAT: Ne tekintsen a fénybe vagy ne nézze egyenesen a fényforrást.

▶ **Ábra5:** 1. Lámpa

A lámpa bekapcsolásához nyomja be a kapcsológombot vagy az érintkezőelemet. A lámpa addig világít, amíg a kapcsológombot vagy az érintkezőelemet benyomva tartja. A lámpa a kapcsológomb és az érintkezőelem felengedése után nagyjából 10 másodperccel kialszik.

MEGJEGYZÉS: Száraz ruhadarabbal törölje le a szennyeződést a lámpa lencséről. Ügyeljen arra hogy ne karcolja meg a lámpa lencsét, ez csökkentheti a megvilágítás erősségét.

ÖSSZESZERELÉS

⚠ VIGYÁZAT: Mindig távolítsa el az akkumulátort, mielőtt munkát végez a tűzözgépén.

U-kapcsok

⚠ VIGYÁZAT: Csak a kézikönyvben előírt U-kapcsokat használja. Ne használjon meghibásodott, elgörbült, rozsdás vagy korrodált U-kapcsokat.

⚠ VIGYÁZAT: Ha több kapocscsiktól tölt a tárbá, mindig ugyanolyan típusú, méretű és hosszúságú U-kapcsokat töltsön be.

MEGJEGYZÉS: Kezelje óvatosan az U-kapcsokat és azok dobozait. Ha az U-kapcsokkal durván bánt, elgörbülhetnek, ami nehézkes adagolást, esetleg elakadást okozhat.

MEGJEGYZÉS: Ne tárolja az U-kapcsokat nagyon nyirkos vagy magas hőmérsékletű környezetben, vagy olyan helyen, ahol közvetlen napsugárzásnak vannak kitéve.

Az U-kapcsok betöltése

⚠ FIGYELMEZTETÉS: Az U-kapcsok betöltéséhez mindig vegye ki az akkumulátort a gépből. Az akaratlan bekapcsolás személyi sérülést és anyagi kárt okozhat.

⚠ VIGYÁZAT: Az U-kapcsok betöltése után mindig ellenőrizze, hogy az előtár megfelelően záródott-e. A tárból kieső U-kapcsok sérülést okozhatnak a gépkezelőnek vagy másoknak, különösen, ha a munka magasban folyik.

1. Távolítsa el az akkumulátort.
2. Nyomja meg a reteszelőkart és tolja hátra az előtárat.

▶ **Ábra6:** 1. Reteszelőkar 2. Előtár

3. Helyezze az U-kapcsokat lábukkal felfelé a főtárba.

▶ **Ábra7:** 1. U-kapcsok 2. Főtár

4. Az U-kapcsok betöltése után tolja a helyére az előtárat, kattantasság.

Az U-kapcsok eltávolításához haladjon végig a behelyezési lépéseken fordított sorrendben.

Akaszto

⚠ VIGYÁZAT: Ne helyezze nadrágszíjára az akasztót. Ha az akasztó véletlenül kijön a helyéből, leejtheti a tűzözgépet, ami akaratlan bekapcsolódással és ennek következtében személyi sérüléssel járhat.

▶ **Ábra8**

Az akasztó a gép ideiglenes felakasztására szolgál. Felszerelhető a gép mindkét oldalára.

Az akasztó felszereléséhez helyezze azt a gép burkolatának két oldalán található horonyok valamelyikébe, majd rögzítse egy csavarral. A leszereléshez csavarja ki a csavart és vegye le az akasztót.

▶ **Ábra9:** 1. Horony 2. Akasztó 3. Csavar

MŰKÖDTETÉS

A biztonsági rendszer ellenőrzése

⚠ FIGYELMEZTETÉS: Használat előtt ellenőrizze, hogy minden biztonsági rendszer működőképes állapotban van-e. Ennek elmulasztása személyi sérüléseket okozhat.

▶ **Ábra10:** 1. Kapcsolózárgomb 2. Kapcsológomb 3. Érintkezőelem 4. Előtár

Mielőtt hozzálátna a munkavégzéshez, ellenőrizze a biztonsági rendszer megfelelő állapotát az alábbiak szerint.

1. Távolítsa el az U-kapcsokat a gépből, és tartsa nyitva az előtárat.
2. Helyezze a gépbe az akkumulátort.
3. Nyomja be a kapcsológombot az érintkezőelem benyomása nélkül.
4. Nyomja be az érintkezőelemet a kapcsológomb benyomása nélkül.

Ha a gép működőképesnek bizonyul a fenti 3-as vagy 4-es esetben, a biztonsági rendszer meghibásodott. Azonnal fejezze be a szerszám használatát, és forduljon a helyi szakszervizhez.

Az U-kapcsok belövése

⚠ FIGYELMEZTETÉS: Tartsa az érintkezőelemet stabilan az anyagon, amíg az u-kapcsot a szerszám teljesen be nem lövi. Az akaratlan lövések személyi sérülést okozhatnak.

▶ **Ábra11:** 1. Kapcsológomb 2. Érintkezőelem 3. Elülős rész 4. Hátsós rész

A gép „egysorosozatos működtetés” és „érintéses működtetés” módban is használható.

Egysorosozatos működtetés:

Ebben a módban egyetlen U-kapcsot lehet be sorozatosan.

1. Illessze az érintkezőelemet a munkadarabra.
2. Szorítsa stabilan a gép elülső és hátulsó részét a munkadarabra.
3. Az U-kapocs belövéséhez nyomja be a kapcsológombot.
4. Engedje fel a kapcsológombot, mielőtt az érintkezőelem eltávolítja a munkadarabról.

Érintéses működtetés:

Ebben a módban az U-kapcsokat ismétlődően löheti be.

1. Nyomja le a kapcsológombot.
2. Az U-kapcsok belövéséhez a kapcsológombot nyomva tartva illessze az érintkezőelemet a munkadarabra.
3. Tartsa a gépet a soron következő terület fölé, majd ismét illessze az érintkezőelemet a munkadarabra.

MEGJEGYZÉS: A horony jelzi a pontot, ahová az U-kapocs kerülni fog.

► **Ábra12:** 1. Horony

Ha belövés után a kapocsfej kiáll a munkadarabból, akkor tartsa erősen a munkadarabra a tűzőgép fejét, és nyomja be vele a kiálló U-kapcsot.

► **Ábra13**

MEGJEGYZÉS: Ha a kapocsfej továbbra is kiáll a munkadarabból, az anyag nem biztos, hogy megfelelő a tűzőgéppel való használathoz. Ha ilyen anyagokon használja a tűzőgépet, károsodhat a behajtóelem, valamint elakadhatnak a szerszámban az U-kapcsok.

Üres lövést meggátoló mechanizmus

FIGYELMEZTETÉS: Az U-kapcsok betöltéséhez mindig vegye ki az akkumulátort a gépből. Az akaratlan bekapcsolás személyi sérülést és anyagi kárt okozhat.

A gép üres lövéseket meggátoló mechanizmussal rendelkezik. Ha a tárban lévő U-kapcsok száma 5-8 darab, a kapcsológomb nem működtethető. Ilyenkor helyezzen a tárbá egy új csík U-kapcsot. A kapcsológomb újra használhatóvá válik.

A fennmaradó U-kapcsok ellenőrzése

► **Ábra14:** 1. Betekintő 2. Tolóka 3. U-kapcsok

A fennmaradó U-kapcsokat a betekintőn át ellenőrizheti. Ha a betekintőn keresztül nem lát egyetlen U-kapcsot sem, töltsön be új adagot.

A beragadt U-kapcsok eltávolítása

FIGYELMEZTETÉS: A beragadt U-kapcsok eltávolítása előtt mindig vegye ki a gép akkumulátorát.

Tolja hátra az előtárat, majd vegye ki a beragadt U-kapcsokat a belövőnyílásból.

► **Ábra15:** 1. Nyílás 2. Előtár

KARBANTARTÁS

VIGYÁZAT: Minden esetben ellenőrizze, hogy a szerszám ki van kapcsolva és az akkumulátor eltávolításra került mielőtt átvizsgálja a szerszámot vagy annak karbantartását végzi.

MEGJEGYZÉS: Soha ne használjon gázolajt, benzint, hígítót, alkoholt vagy hasonló anyagokat. Ezek elszíneződést, alakvesztést vagy repedést okozhatnak.

A termék BIZTONSÁGÁNAK és MEGBÍZHATÓSÁGÁNAK fenntartása érdekében a javításokat és más karbantartásokat vagy beállításokat a Makita hivatalos vagy gyári szervizközpontjában kell elvégezni, mindig csak Makita cserealkatrészeket használva.

OPCIONÁLIS KIEGÉSZÍTŐK

VIGYÁZAT: Ezen kiegészítőket és tartozékokat javasoljuk a kézikönyvben ismertetett Makita szerszámhoz. Bármilyen más kiegészítő vagy tartozék használata a személyi sérülés kockázatával jár. A kiegészítőt vagy tartozékokat csak rendeltetésszerűen használja.

Ha bármilyen segítségre vagy további információkra van szüksége ezekkel a tartozékokkal kapcsolatban, keresse fel a helyi Makita Szervizközpontot.

- U-kapcsok
- Eredeti Makita akkumulátor és töltő
- Védőszemüveg
- Mélységbeállító készlet

MEGJEGYZÉS: A listán felsorolt néhány kiegészítő megtalálható az eszköz csomagolásában standard kiegészítőként. Ezek országonként eltérőek lehetnek.

TECHNICKÉ ŠPECIFIKÁCIE

Model:	ST113D	
Šírka sponky	10 mm	
Použiteľná dĺžka sponiek	7 mm – 10 mm	
Kapacita zásobníka sponiek	150 ks	
Rozmery bez háčika (D x Š x V)	211 mm x 81 mm x 159 mm	
Menovité napätie	Jednosmerný prúd 10,8 V - 12 V max.	
Akumulátor	BL 1015, BL 1016, BL 1020B, BL 1021B	BL 1040B, BL 1041B
Hmotnosť netto	1,3 kg	1,5 kg

- Vzhľadom k neustálemu výskumu a vývoju podliehajú technické údaje uvedené v tomto dokumente zmenám bez upozornenia.
- Technické špecifikácie a typ akumulátora sa môžu v rámci jednotlivých krajín líšiť.
- Hmotnosť s akumulátorom podľa postupu EPTA 01/2003

Určené použitie

Tento nástroj je určený na zatlačenie sponiek do konštrukčných materiálov, napríklad stavebného dreva.

Hluk

Typická hladina akustického tlaku zátáže A určená podľa štandardu EN60745:

Úroveň akustického tlaku (L_{pA}): 75 dB (A)

Odchýlka (K): 3 dB (A)

Úroveň hluku pri práci môže prekročiť 80 dB (A).

VAROVANIE: Používajte ochranu sluchu.

Vibrácie

Celková hodnota vibrácií bola stanovená podľa EN60745:

Emisie vibrácií (a_w): 2,5 m/s² alebo menej

Odchýlka (K): 1,5 m/s²

POZNÁMKA: Deklarovaná hodnota emisií vibrácií bola meraná podľa štandardnej skúšobnej metódy a môže sa použiť na porovnanie jedného nástroja s druhým.

POZNÁMKA: Deklarovaná hodnota emisií vibrácií sa môže použiť aj na predbežné posúdenie vystavenia ich účinkom.

VAROVANIE: Emisie vibrácií počas skutočného používania elektrického nástroja sa môžu odlišovať od deklarovanej hodnoty emisií vibrácií, a to v závislosti od spôsobov používania náradia.

VAROVANIE: Nezabudnite označiť bezpečnostné opatrenia s cieľom chrániť obsluhu, a to tie, ktoré sa zakladajú na odhade vystavenia účinkom v rámci reálnych podmienok používania (berúc do úvahy všetky súčasti prevádzkového cyklu, ako sú doby, kedy je nástroj vypnutý a kedy beží bez zátáže- nia, ako dodatok k dobe zapnutia).

Vyhlasenie o zhode ES

Len pre krajiny Európy

Vyhlasenie o zhode ES sa nachádza v prílohe A tohto návodu na obsluhu.

BEZPEČNOSTNÉ VAROVANIA

Všeobecné bezpečnostné predpisy pre elektrické nástroje

VAROVANIE: Preštudujte si všetky bezpečnostné varovania, pokyny, vyobrazenia a technické špecifikácie určené pre tento elektrický nástroj. Pri nedodržaní všetkých nižšie uvedených pokynov môže dôjsť k úrazu elektrickým prúdom, požiaru alebo vážnemu zraneniu.

Všetky výstrahy a pokyny si odložte pre prípad potreby v budúcnosti.

Pojem „elektrický nástroj“ sa vo výstrahách vzťahuje na elektricky napájané elektrické nástroje (s káblom) alebo batériu napájané elektrické nástroje (bez kábla).

Bezpečnostné výstrahy pre akumulátorovú sponkovačku

1. **Vždy sa presvedčte, že nástroj obsahuje upínacie prvky.** Neopatrné zaobchádzanie so sponkovačkou môže spôsobiť neočakávané vystrelenie upínacích prvkov a zranenie osôb.
2. **Nástrojom nikdy nemierte na seba ani na nikoho iného vo vašej blízkosti.** Upínací prvok vystrelený po neočakávanom zapnutí nástroja môže spôsobiť zranenie.

3. **Nástroj nezapínajte, pokiaľ sa pevne neopiera o obrobok.** Ak sa nástroj nedotýka obrobku, upínací prvok sa môže odraziť mimo jeho povrchu.
4. **Keď sa upínací prvok v nástroji zasekne, nástroj odpojte od zdroja napájania.** V opačnom prípade by sa sponkovačka pri uvoľňovaní zaseknutého upínacieho prvku mohla náhodne zapnúť.
5. **Pri uvoľňovaní zaseknutého upínacieho prvku postupujte opatrne.** Mechanizmus môže byť pod tlakom a zaseknutý upínací prvok by pri pokuse o uvoľnenie mohol silno vystreliť.
6. **Túto sponkovačku nepoužívajte na upevňovanie elektrických káblov.** Nie je navrhnutá na inštaláciu elektrických káblov a môže poškodiť izoláciu elektrických káblov a tým spôsobiť úraz elektrickým prúdom alebo riziko požiaru.
7. **V prípade potreby vždy noste ochranné okuliare alebo bezpečnostné okuliare s bočným štítom a ochranný štít na celú tvár.**
8. **Ruky a nohy držte mimo oblasti výstupného otvoru.**
9. **Pred vkladáním upínacích prvkov, úpravami, kontrolou, údržbou alebo po vykonaní práce vždy vyberte akumulátor.**
10. **Pred prácou skontrolujte, či sa v blízkosti niekto nenachádza.** Nikdy sa nepokúšajte nastreľovať upínacie prvky súčasne zvnútra aj zvonka steny. Upínacie prvky môžu preraziť a/alebo vyletieť, čo predstavuje smrteľné nebezpečenstvo.
11. **Dávajte pozor na svoj postoj a zachovávejte rovnováhu s nástrojom.** Pri práci na vyšších miestach dbajte na to, aby sa nikto nenachádzal pod vami.
12. **Dôkladne skontrolujte steny, stropy, podlahy zastrešenie a pod., aby nedošlo k úrazu elektrickým prúdom, úniku plynu, výbuchu a pod., spôsobeným priechodom sponky do vodičov pod napätím, potrubí alebo plynových rúrok.**
13. **Používajte len upínacie prvky opísané v tomto návode.** Pri použití akýchkoľvek iných upínacích prvkov môže dôjsť k poruche nástroja.
14. **Nástroj neupravujte a nepokúšajte sa ho používať na iné účely než nastreľovanie upínacích prvkov.**
15. **Nástroj nepoužívajte bez upínacích prvkov. Skracuje to jeho životnosť.**
16. **Ak na nástroji spozorujete niečo chybné alebo nezvyčajné, okamžite zastavte prácu.**
17. **Nikdy nevrádzajte upínacie prvky do materiálov, cez ktoré by mohli vyletieť ako projektil.**
18. **Nikdy nestláčajte spúšťací spínač a kontaktný prvok, pokiaľ nie ste pripravení na upevnenie obrobkov.** Nikdy neobchádzajte jeho účel zaistením kontaktného prvku alebo jeho zatlačením rukou.
19. **Kontaktný prvok nikdy neupravujte.** Pravidelne kontrolujte správnosť fungovania kontaktného prvku.

TIETO POKYNY USCHOVAJTE.

⚠VAROVANIE: NIKDY neprípustite, aby sebavedomie a dobrá znalosť výrobku (získané opakovaným používaním) nahradili presné dodržiavanie bezpečnostných pravidiel pre náradie. **NESPRÁVNE POUŽÍVANIE** alebo nedodržiavanie bezpečnostných zásad uvedených v tomto návode môže viesť k vážnemu zraneniu.

Dôležité bezpečnostné a prevádzkové pokyny pre akumulátor

1. **Pred použitím akumulátora si prečítajte všetky pokyny a výstražné označenia na (1) nabíjačke akumulátorov, (2) akumulátore a (3) produkte používajúcom akumulátor.**
2. **Akumulátor nerozoberajte.**
3. **Ak sa doba prevádzky príliš skráti, ihneď prerušte prácu.** Môže nastať riziko prehriatia, možných popálením či dokonca explózie.
4. **V prípade zasiahnutia oči elektrolytom ich vypláchnite čistou vodou a okamžite vyhľadajte lekársku pomoc.** Môže dôjsť k strate zraku.
5. **Akumulátor neskratujte:**
 - (1) **Nedotýkajte sa konektorov žiadnym vodivým materiálom.**
 - (2) **Neskladujte akumulátor v obale s inými kovovými predmetmi, napríklad klincami, mincami a pod.**
 - (3) **Akumulátor nevystavujte vode ani dažďu.** Skrat akumulátora môže spôsobiť veľký tok prúdu, prehriate, možné popálenie či dokonca poruchu.
6. **Neskladujte nástroj ani akumulátor na miestach s teplotou presahujúcou 50 °C (122 °F).**
7. **Akumulátor nespálujte, ani keď je vážne poškodený alebo úplne opotrebovaný.** Akumulátor môže v ohni explodovať.
8. **Dávajte pozor, aby akumulátor nespadol, a nevystavujte ho nárazom.**
9. **Nepoužívajte poškodený akumulátor.**
10. **Lítium-iónové akumulátory, ktoré sú súčasťou náradia, podliehajú požiadavkám legislatívy o nebezpečnom tovare.** V prípade obchodnej prepravy, napr. dodanie tretími stranami či špeditériami, sa musia dodržiavať špeciálne požiadavky na zabalenie a označenie. Pred prípravou položky na odoslanie sa vyžaduje konzultácia s odborníkom na nebezpečný materiál. Taktiež treba dodržiavať potenciálne podrobnejšie predpisy príslušnej krajiny. Prelepte alebo zakryte otvorené kontakty a zabaľte akumulátor tak, aby sa v baliku nemohol voľne pohybovať.
11. **Akumulátor zlikvidujte v súlade s miestnymi nariadeniami.**
12. **Akumulátory používajte iba s výrobkami uvedenými spoločnosťou Makita.** Inštalácia akumulátorov do nevyhovujúcich výrobkov môže spôsobiť požiar, nadmerné teplo, výbuch alebo únik elektrolytov.

TIETO POKYNY USCHOVAJTE.

⚠POZOR: Používajte len originálne akumulátory od spoločnosti Makita. Používanie batérií, ktoré nie sú od spoločnosti Makita, alebo upravených batérií môže spôsobiť výbuch batérie a následný požiar, zranenie osôb alebo poškodeniu majetku. Následkom bude aj zrušenie záruky od spoločnosti Makita na nástroj a nabíjačku od spoločnosti Makita.

Rady na udržanie maximálnej životnosti akumulátora

1. Akumulátor nabíjajte ešte predtým, ako sa úplne vybije. Vždy prerušte prácu s nástrojom a nabíjajte akumulátor, keď spozorujete nižší výkon nástroja.
2. Nikdy nenabíjajte plne nabitý akumulátor. Prebíjanie skracuje životnosť akumulátora.
3. Akumulátor nabíjajte pri izbovej teplote 10 °C – 40 °C (50 °F – 104 °F). Pred nabíjaním nechajte horúci akumulátor vychladnúť.

OPIS FUNKCIÍ

▲ POZOR: Pred úpravou alebo kontrolou funkčnosti nástroja vždy skontrolujte, či je nástroj vypnutý a akumulátor je vybratý.

Inštalácia alebo demontáž akumulátora

▲ POZOR: Pred inštaláciou alebo vybratím akumulátora nástroj vždy vypnite.

▲ POZOR: Pri inštalovaní a vyberaní akumulátora pevne uchopíte nástroj a akumulátor. Ak nástroj a akumulátor pevne neuchopíte, môže to mať za následok vyšmyknutie z vašich rúk s dôsledkom poškodenia nástroja a akumulátora, ako aj osobných poranení.

- **Obr.1:** 1. Červený indikátor 2. Tlačidlo 3. Akumulátor

Ak chcete vybrať akumulátor, vysuňte ho z nástroja, pričom posuňte tlačidlo na prednej strane akumulátora.

Akumulátor vložíte tak, že jazýček akumulátora zarovnáte s drážkou v kryte a zasuniete ho na miesto. Zatláčte ho úplne, kým zakliknutím nezapadne na miesto. Ak vidíte červený indikátor na hornej strane tlačidla, nie je správne zapadnutý.

▲ POZOR: Akumulátor vždy nainštalujte úplne, až kým nie je vidieť červený indikátor. V opačnom prípade môže náhodne vypadnúť z nástroja a ublížiť vám alebo osobám v okolí.

▲ POZOR: Pri inštalovaní akumulátora nepoužívajte silu. Ak sa akumulátor nedá zasunúť ľahko, nevkladajte ho správne.

Systém ochrany akumulátora

Nástroj je vybavený systémom ochrany akumulátora. Tento systém automaticky vypne napájanie motora s cieľom predĺžiť životnosť akumulátora.

Nástroj sa môže počas prevádzky automaticky zastaviť v prípade, ak sa nástroj alebo akumulátor nachádzajú v jednom z nasledujúcich stavov:

Preťaženie:

Nástroj je prevádzkovaný spôsobom, ktorý spôsobuje odber nadmerne vysokého prúdu.

V tejto situácii vypnite nástroj a ukončíte prácu, ktorá spôsobuje preťažovanie nástroja. Potom nástroj zapnúť znova spustíte.

Ak sa nástroj nespustí, akumulátor je prehriaty. V tejto situácii nechajte akumulátor pred opätovným zapnutím náradia vychladnúť.

Nízke napätie akumulátora:

Zostávajúca kapacita akumulátora je veľmi nízka a nástroj nebude fungovať. Ak zapnete nástroj, motor sa nerozbehne alebo sa znova rozbehne, ale čoskoro sa zastaví. V tejto situácii akumulátor vyberte a nabíjajte ho.

Indikácia zvyšnej kapacity akumulátora

Len na akumulátory s indikátorom

- **Obr.2:** 1. Indikátory 2. Tlačidlo kontroly

Stlačením tlačidla kontroly na akumulátore zobrazíte zostávajúcu kapacitu akumulátora. Indikátory sa na niekoľko sekúnd rozsvietia.

Indikátory		Zostávajúca kapacita
Svieti	Nesvieti	
■ ■ ■ ■	□	75 % až 100 %
■ ■ ■ □	□	50% až 75%
■ ■ □ □	□ □	25% až 50%
■ □ □ □	□ □ □ □	0% až 25%

POZNÁMKA: V závislosti od podmienok používania a v závislosti od okolitej teploty sa môže zobrazenie mierne odlišovať od skutočnej kapacity.

Zapínanie

▲ POZOR: Pred vložením akumulátora do nástroja sa vždy presvedčte, či spúšťač spínača funguje správne a po uvoľnení sa vráti do pozície „OFF“.

▲ POZOR: Keď s nástrojom nepracujete, stlačte zaistovacie tlačidlo spínača na strane B, čím uzamknete spúšťač spínača do polohy OFF (VYP.).

- **Obr.3:** 1. Zaistovacie tlačidlo spínača 2. Spúšťač spínača

- **Obr.4**

Spúšťač spínača je pred náhodným stlačením chránený zaistovacím tlačidlom spínača.

Ak chcete stlačiť spúšťač spínača, stlačte zaistovacie tlačidlo spínača zo strany A.

Po použití vždy zatláčte zaistovacie tlačidlo spínača zo strany B.

Rozsvietenie kontroly

⚠ POZOR: Nedívejte sa priamo do svetla ani jeho zdroja.

► **Obr.5:** 1. Lampa

Kontrolka sa rozsvieti stlačením spúšťacieho spínača alebo aktiváciou kontaktného prvku. Kontrolka svieti, kým držíte stlačený spúšťací spínač alebo máte prítlačný kontaktný prvok. Kontrolka zhasne asi 10 sekúnd po uvoľnení spúšťacieho spínača a kontaktného prvku.

POZNÁMKA: Suchou tkaninou utrite znečistené šošovky lampy. Dávajte pozor, aby sa šošovky lampy nepoškriabali. Mohla by sa znížiť intenzita osvetlenia.

ZOSTAVENIE

⚠ POZOR: Pred vykonávaním akejkoľvek práce na sponkovačke vždy vyberte akumulátor.

Sponky

⚠ POZOR: Nepoužívajte iné sponky, ako určené v tejto príručke, ani sponky viditeľne poškodené, ohnuté, hrdzavé alebo skorodované.

⚠ POZOR: Pokiaľ naplňate zásobník sponkami, naplňte ho sponkami rovnakého typu, veľkosti a rovnakej dĺžky.

UPOZORNENIE: So sponkami a ich balením zaobchádzajte opatrne. Pri nešetrnom zaobchádzaní sa sponky môžu ohnúť a spôsobiť nedostačujúce podávanie sponiek alebo ich zaseknutie.

UPOZORNENIE: Sponky neskladujte na veľmi vlhkom ani horúcom mieste ani na mieste vystavenom priamemu slnečnému žiareniu.

Vkladanie sponiek

⚠ VAROVANIE: Pred vkladáním sponiek vždy vyberte akumulátor zo sponkovačky. Náhodné vystreľovanie sponiek môže spôsobiť zranenie osôb alebo škody na majetku.

⚠ POZOR: Po vložení sponiek sa presvedčte, či je zásobník bezpečne zatvorený. Sponky vypadáajúce z vedľajšieho zásobníka môžu spôsobiť zranenie obsluhy alebo okolostojacich osôb najmä pri práci na vyvýšených miestach.

1. Vyberte akumulátor.
2. Stlačte poistnú páčku a zasuňte vedľajší zásobník dozadu.
► **Obr.6:** 1. Poistná páčka 2. Vedľajší zásobník
3. Do hlavného zásobníka vložte sponky nožičkami smerom nahor.
► **Obr.7:** 1. Sponky 2. Hlavný zásobník
4. Po založení sponiek zatlačte vedľajší zásobník späť, kým nezacvakne na mieste.

Ak chcete sponky odstrániť, vykonajte postup vkladania v opačnom poradí.

Hák

⚠ POZOR: Hák si nenechávajte zavesený na opasku. Sponkovačka by po páde po náhodnom uvoľnení háku mohla náhodne vystreliť a niekoho poraniť.

► **Obr.8**

Hák je vhodný na dočasné zavesenie nástroja. Môže sa namontovať na ktorúkoľvek stranu nástroja. Hák namontujte tak, že ho vložíte do drážky na tele nástroja na ktorejkoľvek strane a potom ho zaistíte skrútkou. Vyberte ho uvoľnením skrútky.

► **Obr.9:** 1. Drážka 2. Hák 3. Skrútka

PREVÁDZKA

Testovanie bezpečnostného systému

⚠ VAROVANIE: Pred prácou skontrolujte, či sú všetky bezpečnostné systémy funkčné. V opačnom prípade môže dôjsť k zraneniu.

► **Obr.10:** 1. Zaisťovacie tlačidlo spínača 2. Spúšťací spínač 3. Kontaktný prvok 4. Vedľajší zásobník

Pred použitím nasledujúcim spôsobom otestujte bezpečnostné systémy, aby nedošlo k možným poruchám.

1. Vyberte sponky z nástroja a vedľajší zásobník nechajte otvorený.
2. Nainštalujte akumulátor.
3. Spúšťací spínač stláčajte, len ak sa kontaktný prvok nedotýka materiálu.
4. Kontaktným prvkom sa dotýkajte materiálu, len keď nestláčate spúšťací spínač.

Ak je nástroj v prevádzke v situácii opísanej v prípade 3 a 4, sú bezpečnostné systémy chybné. Nástroj okamžite prestaňte používať a obráťte sa na miestne servisné stredisko.

Nastreľovanie sponiek

⚠ VAROVANIE: Kontaktný prvok pevne prítlačte na materiál, kým sa úplne nenastreli sponka. Neúmyselné vystrelenie môže spôsobiť zranenie osôb.

► **Obr.11:** 1. Spúšťací spínač 2. Kontaktný prvok 3. Predná časť 4. Zadná časť

S nástrojom možno pracovať jednorazovými postupnými nástreľmi alebo kontaktným nastreľovaním.

Jednorazové postupné nastreľovanie:

V tomto režime môžete nastreľovať postupne jednu sponku za druhou.

1. Kontaktný prvok umiestnite úplne na materiál.
2. Prednou aj zadnou časťou nástroja sa pevne opierajte o materiál.

3. Sponky nastreľuje úplným stlačením spúšťacieho spínača.

4. Pred odťahnutím kontaktného prvku od materiálu dajte prst dolu zo spúšťacieho spínača.

Kontaktné nastreľovanie:

V tomto režime možno sponky nastreľovať postupne.

1. Stlačte spúšťací spínač.
2. Stlačte spúšťací spínač, kontaktný prvok priložte na materiál a nastreľte sponky.
3. Nástroj presuňte na ďalšie miesto a kontaktný prvok znova pevne priložte na materiál.

POZNÁMKA: Drážka označuje miesto, kam sa nastreľí sponka.

► **Obr.12:** 1. Drážka

Keď hlava nastreľenej sponky ostáva nad povrchom obrobku, nastreľte sponku, pričom pevne držte hlavu sponkovačky opretú o obrobok.

► **Obr.13**

POZNÁMKA: Ak hlava sponky ostáva nad obrobkom, aj keď držíte hlavu sponkovačky, materiál nemusí byť pre sponkovačku vhodný. Ak budete sponkovačku naďalej používať na takýto materiál, môže sa poškodiť nastreľovacia časť sponkovačky alebo sa môže sponkovačka zasekávať.

Mechанизmus zabraňujúci nastreľeniu naprázdno

VAROVANIE: Pred vkladáním sponiek vždy vyberte akumulátor zo sponkovačky. Náhodné vystreľovanie sponiek môže spôsobiť zranenie osôb alebo škody na majetku.

Tento nástroj je vybavený mechanizmom zabraňujúcim nastreľeniu naprázdno. Keď počet sponiek v zásobníku poklesne na 5 až 8 ks, spúšťací spínač sa už nedá stlačiť. Vtedy do zásobníka vložte nový pás sponiek. Spúšťací spínač možno znova stlačiť.

Kontrola počtu ostávajúcich sponiek

► **Obr.14:** 1. Priezor 2. Posunovač 3. Sponky

Počet zostávajúcich sponiek možno skontrolovať cez priezor.

Založte sponky, keď v priezore nevidno žiadne sponky.

Odstaňovanie zaseknutých sponiek

VAROVANIE: Pred odstránením zaseknutých sponiek vždy skontrolujte, či akumulátor vybratý z nástroja.

Otvorte vedľajší zásobník smerom dozadu a vyberte zaseknuté sponky z nastreľovacieho otvoru.

► **Obr.15:** 1. Otvor 2. Vedľajší zásobník

ÚDRŽBA

POZOR: Pred vykonaním kontroly alebo údržby vždy skontrolujte, či je nástroj vypnutý a akumulátor je vybratý.

UPOZORNENIE: Nepoužívajte benzín, riedidlo, alkohol ani podobné látky. Mohlo by to spôsobiť zmenu farby, deformácie alebo praskliny.

Ac chcete udržať BEZPEČNOSŤ a BEZPORUCHOVOSŤ výrobku, prenechajte opravy, údržbu a nastavenie na autorizované alebo továrenské servisné centrá Makita, ktoré používajú len náhradné diely značky Makita.

VOLITEĽNÉ PRÍSLUŠENSTVO

POZOR: Pre váš nástroj Makita, opísaný v tomto návode, doporučujeme používať toto príslušenstvo a nástavce. Pri použití iného príslušenstva či nástavcov môže hroziť nebezpečenstvo zranenia osôb. Príslušenstvo a nástavce sa môžu používať len na účely pre ne stanovené.

Ac potrebujete bližšie informácie týkajúce sa tohoto príslušenstva, obráťte sa na vaše miestne servisné stredisko firmy Makita.

- Sponky
- Originálna batéria a nabíjačka Makita
- Ochranné okuliare
- Súprava na nastavenie hĺbky

POZNÁMKA: Niektoré položky zo zoznamu môžu byť súčasťou balenia nástrojov vo forme štandardného príslušenstva. Rozsah týchto položiek môže byť v každej krajine odlišný.

SPECIFIKACE

Model:	ST113D	
Šířka spony	10 mm	
Použitelné délky spon	7 mm – 10 mm	
Kapacita zásobníku spon	150 ks	
Rozměry bez háčku (D × Š × V)	211 mm × 81 mm × 159 mm	
Jmenovité napětí	Max. 10,8–12 V DC	
Akumulátor	BL 1015, BL 1016, BL 1020B, BL 1021B	BL 1040B, BL 1041B
Hmotnost netto	1,3 kg	1,5 kg

- Vzhledem k neustálému výzkumu a vývoji zde uvedené technické údaje podléhají změnám bez upozornění.
- Technické údaje a akumulátor se mohou v různých zemích lišit.
- Hmotnost s akumulátorem dle EPTA – Procedure 01/2003

Účel použití

Nářadí je určeno k nastřelování spon do konstrukčních materiálů, jako je například řezivo.

Hlučnost

Typická vážená hladina hluku (A) určená podle normy EN60745:

Hladina akustického tlaku (L_{pA}): 75 dB(A)

Nejistota (K): 3 dB(A)

Hladina hluku při práci může překročit hodnotu 80 dB (A).

VAROVÁNÍ: Používejte ochranu sluchu.

Vibrace

Celková hodnota vibrací určená dle normy EN60745:

Emise vibrací (a_h): 2,5 m/s² nebo méně

Nejistota (K): 1,5 m/s²

POZNÁMKA: Hodnota deklarovaných emisí vibrací byla změněna standardní zkušební metodou a dá se použít k porovnání nářadí mezi sebou.

POZNÁMKA: Hodnotu deklarovaných emisí vibrací lze také použít k předběžnému posouzení míry expozice vibracím.

VAROVÁNÍ: Emise vibrací při používání elektrického nářadí ve skutečnosti se mohou od hodnoty deklarovaných emisí vibrací lišit v závislosti na způsobech použití nářadí.

VAROVÁNÍ: Nezapomeňte stanovit bezpečnostní opatření na ochranu obsluhy podle odhadu expozice ve skutečných podmínkách použití. (Vezměte přitom v úvahu všechny části provozního cyklu, tj. kromě doby zátěže například doby, kdy je nářadí vypnuté a kdy běží naprázdno.)

Prohlášení ES o shodě

Pouze pro evropské země

Prohlášení ES o shodě je obsaženo v Příloze A tohoto návodu k obsluze.

BEZPEČNOSTNÍ VÝSTRAHY

Obecná bezpečnostní upozornění k elektrickému nářadí

VAROVÁNÍ: Přečtěte si všechny bezpečnostní výstrahy i pokyny a prohlédněte si ilustrace a specifikace dodané k tomuto elektrickému nářadí. Nedodržení všech níže uvedených pokynů může vést k úrazu elektrickým proudem, požáru či vážnému zranění.

Všechna upozornění a pokyny si uschovejte pro budoucí potřebu.

Pojem „elektrické nářadí“ v upozorněních označuje elektrické nářadí, které se zapojuje do elektrické sítě, nebo elektrické nářadí využívající akumulátory.

Bezpečnostní výstrahy k akumulátorové sponkovačce

1. **Vždy předpokládejte, že nářadí obsahuje spojovací prvky.** Při neopatrné manipulaci se sponkovačkou může dojít k nečekanému vystřelení spojovacích prvků a ke zranění.
2. **Nemiřte nářadím na sebe ani na žádnou jinou osobu.** Mohlo by dojít ke zranění po nečekaném vystřelení spojovacího prvku.
3. **Nesposuštějte nářadí, dokud není pevně přiloženo ke spojovanému dílu.** Není-li nářadí v kontaktu s dílem, spojovací prvek se může odchýlit.
4. **Uvázne-li spojovací prvek v nářadí, odpojte nářadí od napájení.** Při odstraňování uvízlého spojovacího prvku by totiž mohlo dojít k náhodné aktivaci sponkovačky připojené k napájení.
5. **Při odstraňování uvízlého spojovacího prvku buďte opatrní.** Mechanismus může být stlačen a spojovací prvek může být při pokusu o uvolnění vystřelen.

6. Sponkovačku nepoužívejte k uchycování elektrických kabelů. Není určena pro práci na elektřině a mohla by porušit izolaci elektrických kabelů a způsobit tak úraz elektřinou nebo požár.
7. V případě potřeby vždy používejte ochranné brýle nebo celoochranný štít.
8. Před ústí nářadí nedávejte ruce a nohy.
9. Před vkládáním spojovacích prvků, seřizováním, kontrolou, údržbou nebo po skončení práce vždy z nářadí vyjměte akumulátor.
10. Před zahájením provozu se přesvědčte, že se v blízkosti nenacházejí žádné osoby. Nikdy nenastřelujte současně z vnitřní i vnější strany stěny. Spojovací prvky mohou projít či prolétnout nasrkat a představují tak vážné nebezpečí.
11. Dbejte na správný postoj a udržujte dobrou rovnováhu s nářadím. Při práci ve výškách dbejte, aby se pod vámi nepohybovaly žádné osoby.
12. Pečlivě zkontrolujte stěny, stropy, podlahy, střešní krytinu, atd., aby nedošlo ke zranění elektrickým proudem, úniku plynů, výbuchu nebo jiným nehodám způsobeným nastřelením spon do vodičů pod proudem, potrubí nebo plynových potrubí.
13. Používejte spojovací prvky specifikované v této příručce. Použití jakýchkoli jiných spojovacích prvků může způsobit poruchu nářadí.
14. Nářadí neupravujte a nepoužívejte jej k jiným účelům než k nastřelování spojovacích prvků.
15. Nespouštějte nářadí bez spojovacích prvků. Zkracuje se tak jeho životnost.
16. Pokud si na nářadí povšimnete jakékoliv poruchy nebo čehokoliv neobvyklého, okamžitě přerušete práci.
17. Nikdy nenastřelujte do žádných materiálů, jimiž může spojovací prvek prolétnout jako projektil.
18. Nikdy neaktivujete spoušť a kontaktní prvek, dokud nejste připraveni spojit díly. Nikdy nepotlačujte funkci kontaktního prvku zajištěním v zadní poloze nebo stisknutím rukou.
19. Nikdy nemanipulujte s kontaktním prvkem. Často kontrolujte řádnou funkci kontaktního prvku.
3. Pokud se příliš zkrátí provozní doba akumulátoru, přerušete okamžitě práci. V opačném případě existuje riziko přehřívání, popálení nebo dokonce výbuchu.
4. Budou-li vaše oči zasaženy elektrolytem, vypláchněte je čistou vodou a okamžitě vyhledejte lékařskou pomoc. Může dojít ke ztrátě zraku.
5. Akumulátor nezkratujte:
 - (1) Nedotýkejte se svorek žádným vodivým materiálem.
 - (2) Neskladujte akumulátor v nádobě s jinými kovovými předměty, jako jsou hřebíky, mince, apod.
 - (3) Nevystavujte akumulátor vodě a dešti. Zkrat akumulátoru může způsobit velký proudok proudu, přehřátí, možné popálení a dokonce i poruchu.
6. Neskladujte nářadí a akumulátor na místech, kde může teplota překročit 50 °C (122 °F).
7. Nespalujte akumulátor, ani když je vážně poškozen nebo úplně opotřeben. Akumulátor může v ohni vybuchnout.
8. Dávejte pozor, abyste akumulátor neupustili ani s ním nenaráželi.
9. Nepoužívejte poškozené akumulátory.
10. Obsazené lithium-iontové akumulátory podléhají právním požadavkům na nebezpečné zboží. V případě komerční přepravy například externími dopravci je třeba dodržet zvláštní požadavky na balení a značení. Pro přípravu zboží k přepravě je nutná konzultace s odborníkem na nebezpečný materiál. Dodržujte také případně podrobnější národní předpisy. Odkryté kontakty přelepte izolační páskou či jinak zakryjte a akumulátory zabalte tak, aby se v balení nemohly pohybovat.
11. Při likvidaci akumulátoru postupujte podle místních předpisů.
12. Akumulátor používejte pouze s výrobky specifikovanými společností Makita. Instalace akumulátoru do nevyhovujících výrobků může způsobit požár, nadměrné zahřívání, explozi nebo únik elektrolytu.

TYTO POKYNY USCHOVEJTE.

⚠VAROVÁNÍ: NEDOVLTE, aby pohodlnost nebo pocit znalosti výrobku (získaný na základě předchozího použití) vedl k zanedbání dodržování bezpečnostních pravidel platných pro tento výrobek. **NESPRÁVNÉ POUŽÍVÁNÍ** či nedodržení bezpečnostních pravidel uvedených v tomto návodu k obsluze může způsobit vážné zranění.

Důležitá bezpečnostní upozornění pro akumulátor

1. Před použitím akumulátoru si přečtěte všechny pokyny a varovné symboly na (1) nabíječce, (2) akumulátoru a (3) výrobku využívajícím akumulátor.
2. Akumulátor nerozebírejte.

TYTO POKYNY USCHOVEJTE.

⚠UPOZORNĚNÍ: Používejte pouze originální akumulátory Makita. Používání neoriginálních nebo upravených akumulátorů může způsobit explozi akumulátoru a následný požár, zranění a jiné poškození. Zaniká tím také záruka společnosti Makita na nářadí a nabíječku Makita.

Typy k zajištění maximální životnosti akumulátoru

1. Akumulátor nabíjte dříve, než dojde k jeho úplnému vybití. Pokud si povšimnete sníženého výkonu nářadí, vždy jej zastavte a dobijte akumulátor.
2. Nikdy nenabíjete úplně nabitý akumulátor. Přebíjení zkracuje životnost akumulátoru.
3. Akumulátor dobíjete při pokojové teplotě od 10 °C do 40 °C (50 °F až 104 °F). Před nabíjením nechejte horký akumulátor zchladnout.

POPIS FUNKCÍ

⚠ UPOZORNĚNÍ: Před nastavováním nářadí nebo kontrolou jeho funkce se vždy přesvědčte, zda je vypnuté a je vyjmutý akumulátor.

Nasazení a sejmutí akumulátoru

⚠ UPOZORNĚNÍ: Před nasazením či sejmutím akumulátoru nářadí vždy vypněte.

⚠ UPOZORNĚNÍ: Při nasazování či snímání akumulátoru pevně držte nářadí i akumulátor. V opačném případě vám může nářadí nebo akumulátor vyklouznout z rukou a mohlo by dojít k jejich poškození či ke zranění.

► **Obr.1:** 1. Červený indikátor 2. Tlačítko 3. Akumulátor

Chcete-li akumulátor sejmut, vysuňte jej se současným přesunutím tlačítka na přední straně akumulátoru.

Při nasazování akumulátoru vyrovnajte jazýček na bloku akumulátoru s drážkou v krytu a zasuňte akumulátor na místo. Akumulátor zasuňte na doraz, až zacvakne na své místo. Není-li tlačítko zcela zajištěno, uvidíte na jeho horní straně červený indikátor.

⚠ UPOZORNĚNÍ: Akumulátor zasunujte vždy zcela tak, aby nebyl červený indikátor vidět. Jinak by mohl akumulátor ze zařízení vypadnout a způsobit zranění obsluze či přihlížejícím osobám.

⚠ UPOZORNĚNÍ: Akumulátor nenasazujte násilím. Nelze-li akumulátor zasunout snadno, nevkládejte jej správně.

Systém ochrany akumulátoru

Nářadí je vybaveno systémem ochrany akumulátoru. Tento systém automaticky přeruší napájení motoru, což prodlužuje životnost akumulátoru.

Budou-li nářadí nebo akumulátor vystaveny některé z níže uvedených podmínek, nářadí se během provozu automaticky vypne:

Přetížení:

S nářadím se pracuje takovým způsobem, že dochází k odběru mimořádně vysokého proudu.

V takové situaci nářadí vypne a ukončete činnost, při níž došlo k přetížení nářadí. Potom nářadí zapnete a obnovte činnost.

Jestliže se nářadí nespustí, došlo k přehřátí akumulátoru. V takovém případě nechte akumulátor před opětovným zapnutím nářadí vychladnout.

Nízké napětí akumulátoru:

Zbývající kapacita akumulátoru je příliš nízká a nářadí nebude fungovat. Po spuštění nářadí se motor nerozbehne nebo se rozeběhne, avšak brzy se zastaví. V takovém případě vyjměte akumulátor a dobijte jej.

Indikace zbývající kapacity akumulátoru

Pouze pro akumulátory s diodovým ukazatelem

► **Obr.2:** 1. Kontrolky 2. Tlačítko kontroly

Stisknutím tlačítka kontroly na akumulátoru zjistíte zbývající kapacitu akumulátoru. Kontrolky indikátoru se na několik sekund rozsvítí.

Kontrolky		Zbývající kapacita
Svíti	Nesvíti	
■ ■ ■ ■	□	75 % až 100 %
■ ■ ■ □	□	50 % až 75 %
■ ■ □ □	□ □	25 % až 50 %
■ □ □ □	□ □ □ □	0 % až 25 %

POZNÁMKA: Kapacita udávaná indikátorem se může mírně lišit od skutečné kapacity v závislosti na podmínkách používání a teplotě prostředí.

Používání spouště

⚠ UPOZORNĚNÍ: Před vložením akumulátoru do nářadí vždy zkontrolujte správnou funkci spouště, a zda se po uvolnění vrací do vypnuté polohy.

⚠ UPOZORNĚNÍ: Pokud nářadí nepoužíváte, zablokujte spoušť ve vypnuté poloze stisknutím zajišťovacího tlačítka ze strany B.

► **Obr.3:** 1. Zajišťovací tlačítko 2. Spoušť

► **Obr.4**

K zamezení náhodného stisknutí spouště je zařízení vybaveno zajišťovacím tlačítkem spouště.

Chcete-li stisknout spoušť, stiskněte zajišťovací tlačítko spouště ze strany A.

Po použití vždy zamáčkněte zajišťovací tlačítko ze strany B.

Rozsvícení světla

⚠ UPOZORNĚNÍ: Nedívejte přímo do světla nebo jeho zdroje.

► **Obr.5:** 1. Světlo

Světlo rozsvítíte stisknutím spouště nebo aktivací kontaktního prvku. Světlo zůstává rozsvíceno při stisknutí spouště nebo aktivací kontaktního prvku. Světlo zhasne přibližně 10 sekund po uvolnění spouště a kontaktního prvku.

POZNÁMKA: K očištění nečistot ze skla světla použijte suchý hadřík. Dbejte, abyste sklo světla nepoškrábali. Mohlo by dojít ke snížení svítivosti.

SESTAVENÍ

⚠ UPOZORNĚNÍ: Před prováděním jakýchkoli prací na sponkovačce se vždy ujistěte, že je akumulátor vyjmutý.

Spony

⚠ UPOZORNĚNÍ: Nepoužívejte jiné spony, než které jsou popsány v této příručce nebo spony, které jsou poškozené, ohnuté, zrezivělé nebo zkorodované.

⚠ UPOZORNĚNÍ: Pokud vkládáte do zásobníku vícenásobné pásky se sponami, vždy vkládejte spony stejného typu, velikosti a shodné délky.

POZOR: Se sponami a jejich obalem manipulujte opatrně. Bude-li se sponami zacházeno hrubě, mohou se zdeformovat a způsobit problémy s přívodem spon nebo jejich zablokování.

POZOR: Spony neskladujte ve velmi vlhkém nebo velmi horkém prostředí ani na přímém slunci.

Vkládání spon

⚠ VAROVÁNÍ: Při vkládání spon se ujistěte, že byl ze sponkovačky vyjmut akumulátor. Nechtěné vystřelení může způsobit zranění nebo poškození majetku.

⚠ UPOZORNĚNÍ: Po vložení spon se ujistěte, že je pomocný zásobník bezpečně zavřený. Pokud by spony ze zásobníku vypadly, mohlo by dojít ke zranění obsluhy nebo přihlížejících; toto nebezpečí hrozí obzvláště při práci ve výškách.

1. Vyměňte akumulátor.
2. Stiskněte zajišťovací páčku a zasuňte pomocný zásobník zpět.
► **Obr.6:** 1. Pojistná páčka 2. Pomocný zásobník
3. Vložte spony do hlavního zásobníku nožičkami směrem nahoru.
► **Obr.7:** 1. Spony 2. Hlavní zásobník
4. Po vložení spon zatlačte pomocný zásobník zpět na místo, dokud nezaklapne.
Při vyjímání spon použijte opačný postup instalace.

Háček

⚠ UPOZORNĚNÍ: Nezavěšujte háček za opasek. Při spadnutí sponkovačky po náhodném uvolnění háčku z opasku by mohlo dojít k nechtěnému vystřelení a následnému zranění.

► Obr.8

Háček je vhodný k dočasnému pověšení nářadí. Lze jej nainstalovat na obou stranách nářadí. Při instalaci háčku jej vložte do drážky na jedné ze stran krytu nářadí a zajistěte jej šroubem. Chcete-li jej odstranit, uvolněte šroub a vyjměte jej.

- **Obr.9:** 1. Drážka 2. Háček 3. Šroub

PRÁCE S NÁŘADÍM

Ověření funkčnosti bezpečnostního systému

⚠ VAROVÁNÍ: Před uvedením do provozu se ujistěte, že jsou všechny bezpečnostní systémy plně funkční. V opačném případě by mohlo dojít ke zranění.

- **Obr.10:** 1. Zajišťovací tlačítko 2. Spoušť
3. Kontaktní prvek 4. Pomocný zásobník

Před zahájením provozu ověřte následujícím způsobem funkčnost bezpečnostních systémů.

1. Vyndejte z nářadí spony a pomocný zásobník nechte otevřený.
2. Nainstalujte akumulátor.
3. Stiskněte spoušť, aniž byste se dotkli kontaktním prvkem materiálu.
4. Dotkněte se kontaktním prvkem materiálu, aniž byste stisknuli spoušť.

Pokud ve výše uvedených bodech 3 a 4 nářadí pracuje, bezpečnostní systémy jsou vadné. Přestaňte nářadí ihned používat a obraťte se na místní servisní středisko.

Nastřelování spon

⚠ VAROVÁNÍ: Nepřestávejte pevně tisknout kontaktní prvek na materiál, dokud není proces nastřelování spony úplný. Nechtěné vystřelení může způsobit zranění.

- **Obr.11:** 1. Spoušť 2. Kontaktní prvek 3. Přední část
4. Zadní část

Nářadí můžete používat v režimu jednosekvenčního chodu nebo v režimu kontaktního chodu.

Jednosekvenční chod:

V tomto režimu můžete v rámci sekvence nastřelit jednu sponu.

1. Přiložte kontaktní prvek na materiál.
2. Přidržte přední a zadní část nářadí pevně proti materiálu.
3. Spony nastřelíte úplným stisknutím spouště.
4. Před sejmutím kontaktního prvku z materiálu uvolněte spoušť.

Kontaktní chod:

V tomto režimu můžete nastřelovat spony sekvenčně.

1. Stiskněte spoušť.
2. Spony nastřelíte přiložením kontaktního prvku se stisknutou spouští.
3. Přesuňte nářadí na další místo a opět přiložte kontaktní prvek na materiál.

POZNÁMKA: Drážka indikuje místo nastřelování spony.

- **Obr.12:** 1. Drážka

Pokud hlava spony zůstane nad povrchem dílu, nastřelte sponu tak, že přitom budete pevně držet hlavu sponkovačky na dílu.

► **Obr.13**

POZNÁMKA: Pokud hlava spony zůstane i nadále nad povrchem dílu, i když hlavu sponkovačky držíte pevně, používáte pravděpodobně nevhodný materiál. Opakované používání sponkovačky na nevhodném materiálu může způsobit poškození hnacího ústrojí sponkovačky nebo její zaseknutí.

Mechanismus zabraňující nechtěnému spuštění

VAROVÁNÍ: Při vkládání spon se ujistěte, že byl ze sponkovačky vyjmut akumulátor. Nechtěné vystřelení může způsobit zranění nebo poškození majetku.

Nářadí je vybaveno mechanismem zamezujícím náhodnému spuštění. Zbývá-li v zásobníku 5–8 sponek, spoušť již nelze stisknout. V takovém případě vložte do zásobníku nový pásek se sponami. Spoušť lze nyní opět stisknout.

Kontrola zbývajících spon

► **Obr.14:** 1. Průzor 2. Podávací prvek 3. Spony

Zbývajcí spony lze zkontrolovat přes průzor. Pokud nejsou v průzoru vidět žádné spony, doplňte je.

Odstranění zaseknutých spon

VAROVÁNÍ: Před odstraňováním uvíznutých spon se vždy ujistěte, že je akumulátor vyjmutý.

Otevřete dozadu pomocný zásobník a z vystřelovacího otvoru vyndejte uvíznuté spony.

► **Obr.15:** 1. Otvor 2. Pomocný zásobník

ÚDRŽBA

UPOZORNĚNÍ: Před zahájením kontroly nebo údržby nářadí se vždy ujistěte, zda je vypnuté a je vyjmut akumulátor.

POZOR: Nikdy nepoužívejte benzín, benzen, ředidlo, alkohol či podobné prostředky. Mohlo by tak dojít ke změnám barvy, deformacím či vzniku prasklin.

K zachování BEZPEČNOSTI a SPOLEHLIVOSTI výrobku musí být opravy a veškerá další údržba či seřizování prováděny autorizovanými nebo továrními servisními středisky společnosti Makita s využitím náhradních dílů Makita.

VOLITELNÉ PŘÍSLUŠENSTVÍ

UPOZORNĚNÍ: Pro nářadí Makita popsané v tomto návodu doporučujeme používat následující příslušenství a nástavce. Při použití jiného příslušenství či nástavců může hrozit nebezpečí zranění osob. Příslušenství lze používat pouze pro stanovené účely.

Potřebujete-li bližší informace ohledně tohoto příslušenství, obraťte se na místní servisní středisko společnosti Makita.

- Spony
- Originální akumulátor a nabíječka Makita
- Ochranné brýle
- Sada pro nastavení hloubky

POZNÁMKA: Některé položky seznamu mohou být k nářadí přibaleny jako standardní příslušenství. Přibalené příslušenství se může v různých zemích lišit.

ТЕХНІЧНІ ХАРАКТЕРИСТИКИ

Модель:	ST113D	
Ширина скоби	10 мм	
Прийнятна довжина скоб	7—10 мм	
Місткість магазину зі скобами	150 шт.	
Розміри без гака (Д x Ш x В)	211 мм x 81 мм x 159 мм	
Номінальна напруга	10,8—12 В пост. струму	
Касета з акумулятором	BL 1015, BL 1016, BL 1020B, BL 1021B	BL 1040B, BL 1041B
Маса нетто	1,3 кг	1,5 кг

- Оскільки наша програма наукових досліджень і розробок триває безперервно, наведені тут технічні характеристики можуть бути змінені без попередження.
- Технічні характеристики приладу та касета з акумулятором можуть відрізнятися в різних країнах.
- Вага разом з касетою з акумулятором відповідно до EPTA-Procedure 01/2003

Призначення

Інструмент призначено для забивання скоб у будівельні матеріали, подібні до лісоматеріалу.

Шум

Рівень шуму за шкалою А в типовому виконанні, визначений відповідно до стандарту EN60745:

Рівень звукового тиску (L_{pA}): 75 дБ (А)

Похибка (К): 3 дБ (А)

Рівень шуму під час роботи може перевищувати 80 дБ (А).

⚠ ПОПЕРЕДЖЕННЯ: Користуйтеся засобами захисту органів слуху.

Вібрація

Загальна величина вібрації, визначена відповідно до EN60745:

Вібрація (a_n): 2,5 м/с² або менше

Похибка (К): 1,5 м/с²

ПРИМІТКА: Заявлене значення вібрації було виміряно відповідно до стандартних методів тестування та може використовуватися для порівняння одного інструмента з іншим.

ПРИМІТКА: Заявлене значення вібрації може також використовуватися для попередньої оцінки впливу.

⚠ ПОПЕРЕДЖЕННЯ: Залежно від умов використання вібрація під час фактичної роботи електроінструмента може відрізнятися від заявленого значення вібрації.

⚠ ПОПЕРЕДЖЕННЯ: Забезпечте належні запобіжні заходи для захисту оператора, що відповідатимуть умовам використання інструмента (слід брати до уваги всі складові робочого циклу, такі як час, коли інструмент вимкнено та коли він починає працювати на холостому ході під час запуску).

Декларація про відповідність стандартам ЄС

Тільки для країн Європи

Декларацію про відповідність стандартам ЄС наведено в Додатку А до цієї інструкції з експлуатації.

ПОПЕРЕДЖЕННЯ ПРО ДОТРИМАННЯ ТЕХНІКИ БЕЗПЕКИ

Загальні застереження щодо техніки безпеки при роботі з електроінструментами

⚠ ПОПЕРЕДЖЕННЯ: Уважно ознайомтеся з усіма попередженнями про дотримання правил техніки безпеки, інструкціями, ілюстраціями та технічними характеристиками, що стосуються цього електроінструмента. Невиконання будь-яких інструкцій, перелічених нижче, може призвести до ураження електричним струмом, пожежі та/або тяжких травм.

Збережіть усі інструкції з техніки безпеки та експлуатації на майбутнє.

Термін «електроінструмент», зазначений у інструкції з техніки безпеки, стосується електроінструмента, який функціонує від електромережі (електроінструмент з кабелем живлення), або електроінструмента з живленням від батареї (безпроводний електроінструмент).

Попередження про необхідну обережність під час роботи з акумуляторним степлером

1. Завжди пам'ятайте, що в інструменті знаходяться кріпильні вироби. Необережне поводження зі степлером може призвести до несподіваного вистрілювання кріпильних виробів та до нещасного випадку.
2. Не спрямовуйте інструмент на себе чи будь-якого поряд з вами. Випадкове натискання на курок приведе до вистрілювання кріпильного виробу, що може спричинити травму.
3. Вмикайте інструмент лише тоді, коли його міцно притиснуто до робочої поверхні. Якщо інструмент не буде міцно притиснуто до робочої поверхні, кріпильний виріб може відхилитися від потрібного напрямку.
4. Від'єднайте інструмент від мережі живлення, якщо в ньому застряг кріпильний виріб. Коли ви будете виймати застряглий кріпильний виріб, степлер може випадково ввімкнутися, якщо його підключено до мережі живлення.
5. Виймайте застряглий кріпильний виріб обережно. Механізм може знаходитися в стиснутому стані, і кріпильний виріб може бути примусово випущений з випускного отвору, коли ви будете намагатися витягти його.
6. Не використовуйте цей степлер для закріплення електричних кабелів. Він не призначений для прокладання електричних кабелів і може пошкодити їх ізоляцію, що може призвести до ураження електричним струмом або до пожежі.
7. Завжди слід надівати захисні окуляри та захисні лінзи з боковим щитком і щиток-маску при необхідності.
8. Не наближайте руки та ноги до зони випускного отвору.
9. Завжди слід знімати касету з акумулятором перед встановленням кріпильних виробів, регулюванням, перевіркою та технічним обслуговуванням або після завершення роботи.
10. Перед початком роботи переконайтеся, що нікого немає поруч. Ніколи не намагайтеся забавити кріпильні вироби одночасно з обох боків стіни. Кріпильні вироби можуть пробити робочу поверхню та/або відлетіти, спричинивши серйозну небезпеку.
11. Під час роботи з інструментом необхідно забезпечити надійну опору та утримувати рівновагу. Під час роботи нагорі слід стежити, щоб нікого не було вище.
12. Уважно оглядайте стіни, стелю, підлогу тощо, щоб уникнути можливого ураження електричним струмом, витоку газу, вибуху тощо внаслідок забивання скоб у дроти під напругою, кабелепроводи або газопроводи.
13. Використовуйте лише кріпильні вироби, визначені в цьому посібнику. Використання будь-яких інших кріпильних виробів може призвести до виходу інструмента з ладу.

14. Не слід порушувати цілісність інструмента або намагатися використовувати його за іншим призначенням, ніж для забивання кріпильних виробів.
15. Не слід експлуатувати інструмент без кріпильних виробів. Це скорочує тривалість експлуатації інструмента.
16. Якщо ви помітили щось ненормальне в роботі інструмента, негайно припиніть забивання.
17. Ніколи не забивайте кріпильні вироби в матеріал, який вони можуть прорвати та з якого вони можуть вилетіти, як куля.
18. Ніколи не натискайте курок вмикача та контактний елемент, доки не будете готові кріпити деталі. Ніколи не слід закріплювати контактний елемент назад або натискати на нього рукою.
19. Ніколи не порушуйте цілісність контактного елемента. Якомога частіше перевіряйте правильність функціонування контактного елемента.

ЗБЕРІГАЙТЕ ЦІ ВКАЗІВКИ.

▲ ПОПЕРЕДЖЕННЯ: НІКОЛИ НЕ втрачайте пильності та не розслабляйтеся під час користування виробом (що можливо при частому користуванні); обов'язково строго дотримуйтеся відповідних правил безпеки. **НЕНАЛЕЖНЕ ВИКОРИСТАННЯ** або недотримання правил техніки безпеки, викладених у цій інструкції з експлуатації, може призвести до серйозних травм.

Важливі інструкції з безпеки для касети з акумулятором

1. Перед тим як користуватися касетою з акумулятором, слід прочитати всі інструкції та застережні знаки щодо (1) зарядного пристрою акумулятора, (2) акумулятора та (3) виробів, що працюють від акумулятора.
2. Не слід розбирати касету з акумулятором.
3. Якщо період роботи дуже покортшав, слід негайно припинити користування. Це може призвести до виникнення ризику перегріву, опіку та навіть вибуху.
4. У разі потраплення електроліту в очі слід промити їх чистою водою та негайно звернутися до лікаря. Це може призвести до втрати зору.
5. Не закоротіть касету з акумулятором.
 - (1) Не слід торкатися клем будь-яким струмопровідним матеріалом.
 - (2) Не слід зберігати касету з акумулятором у ємності з іншими металевими предметами, такими як цвяхи, монети тощо.
 - (3) Не залишайте касету з акумулятором під дощем, запобігайте контакту з водою.Коротке замикання може призвести до появи значного струму, перегріву, можливих опіків та навіть виходу з ладу.

6. Не слід зберігати інструмент та касету з акумулятором в місцях, де температура може сягнути чи перевищити 50°C (122°F).
7. Не слід спалювати касету з акумулятором, навіть якщо вона була неодноразово пошкоджена або повністю спрацьована. Касета з акумулятором може вибухнути у вогні.
8. Не слід кидати або ударяти акумулятор.
9. Не слід використовувати пошкоджений акумулятор.
10. Літій-іонні акумулятори, що містяться в інструменті, мають відповідати вимогам законів про небезпечні товари. Під час транспортування за допомогою комерційних перевезень, наприклад із залучанням третьої сторони та експедиторів, необхідно дотримуватись особливих вимог, вказаних на пакуванні й у маркуванні. Під час підготування позиції до відправлення необхідно проконсультуватись зі спеціалістом з небезпечних матеріалів. Крім того, слід виконувати більш докладні національні настанови, якщо такі є. Заклейте відкриті контакти стрічкою або заховайте їх і запакуйте акумулятор таким чином, щоб він не міг рухатися в пакуванні.
11. **Дотримуйтеся норм місцевого законодавства щодо утилізації акумуляторів.**
12. **Використовуйте акумулятори лише з виробами, указаними компанією Makita.** Установлення акумуляторів у невідповідні виробни може призвести до пожежі, надмірного нагрівання, вибуху чи витоку електроліту.

ЗБЕРІГАЙТЕ ЦІ ВКАЗІВКИ.

⚠ОБЕРЕЖНО: Використовуйте тільки акумулятори Makita. Використання акумуляторів, інших ніж оригінальні акумулятори Makita, або акумуляторів, конструкцію яких було змінено, може призвести до вибуху акумулятора і спричинити пожежу, травму або пошкодження. У зв'язку з цим також буде анульовано гарантію Makita на інструмент Makita і на зарядний пристрій.

Поради з забезпечення максимального строку експлуатації акумулятора

1. Касету з акумулятором слід заряджати до того, як він розрядиться повністю. Завжди слід зупиняти роботу інструмента та зарядити акумулятор, якщо ви помітили зменшення потужності інструмента.
2. Ніколи не слід заряджати повторно повністю заряджену касету з акумулятором. Перезарядження скорочує строк експлуатації акумулятора.
3. Заряджайте касету з акумулятором при кімнатній температурі 10°C—40°C (50°F—104°F). Перед тим як заряджати касету з акумулятором, слід зачекати, доки вона охолоне.

ОПИС РОБОТИ

⚠ОБЕРЕЖНО: Обов'язково переконайтеся, що прилад вимкнено, а касету з акумулятором знято, перед регулюванням або перевіркою функціонування інструмента.

Встановлення та зняття касети з акумулятором

⚠ОБЕРЕЖНО: Завжди вимикайте інструмент перед встановленням або зняттям касети з акумулятором.

⚠ОБЕРЕЖНО: Під час встановлення або зняття касети з акумулятором слід міцно тримати інструмент та касету з акумулятором.

Якщо ви утримуватимете інструмент та касету з акумулятором недостатньо міцно, вони можуть вислизнути з рук, що може призвести до пошкодження інструмента та касети з акумулятором або може спричинити травми.

► **Рис.1:** 1. Червоний індикатор 2. Кнопка 3. Касета з акумулятором

Щоб зняти касету з акумулятором, слід витягнути її з інструмента, натиснувши на кнопку в передній частині касети.

Щоб установити касету з акумулятором, слід сумістити виступ на касеті з акумулятором із пазом у корпусі та вставити касету на місце. Її необхідно вставити повністю, аж доки не почуєте клацання. Якщо на верхній частині кнопки помітний червоний індикатор, це означає, що касета з акумулятором установлена не до кінця.

⚠ОБЕРЕЖНО: Завжди вставляйте касету з акумулятором повністю, аж поки червоний індикатор стане невидимим. Якщо цього не зробити, касета може випадково випасти з інструмента та завдати травми вам або людям, що знаходяться поряд.

⚠ОБЕРЕЖНО: Не встановлюйте касету з акумулятором із зусиллям. Якщо касета не вставляється легко, то це означає, що ви її неправильно вставляєте.

Система захисту акумулятора

Інструмент оснащено системою захисту акумулятора. Ця система автоматично вимикає живлення двигуна з метою збільшення робочого часу акумулятора.

Інструмент буде автоматично вимкнено під час роботи, якщо він та/або акумулятор знаходиться в наступних умовах.

Перевантаження

Інструмент споживає струм занадто високої потужності під час роботи.

У такому разі вимкніть інструмент і припиніть роботу, під час виконання якої інструмент зазнав перевантаження. Щоб перезапустити інструмент, увімкніть його знову. Якщо інструмент не запускається, це означає, що акумулятор перегрівся. У такому випадку дозвольте акумулятору охолонути, перш ніж знову увімкнути інструмент.

Низька напруга акумулятора

Залишковий заряд акумулятора занадто низький, тому інструмент не буде працювати. Якщо ввімкнути інструмент, двигун не запуститься або запусниться, проте незабаром зупиниться. У такому разі вийміть і зарядіть акумулятор.

Відображення залишкового заряду акумулятора

Тільки для касет з акумулятором, які мають індикатори

► Рис.2: 1. Індикаторні лампи 2. Кнопка перевірки

Натисніть кнопку перевірки на касеті з акумулятором для відображення залишкового ресурсу акумулятора. Індикаторні лампи загоряться на кілька секунд.

Індикаторні лампи		Залишковий ресурс
Горить	Вимкнено	
		від 75 до 100%
		від 50 до 75%
		від 25 до 50%
		від 0 до 25%

ПРИМІТКА: Залежно від умов використання та температури оточуючого середовища показання можуть незначним чином відрізнятися від дійсного ресурсу.

Дія вимикача

▲ОБЕРЕЖНО: Перед тим як вставляти касету з акумулятором в інструмент, обов'язково перевірте, чи курок вимикача спрацьовує належним чином та повертається у положення «ВИМК.», коли його відпускають.

▲ОБЕРЕЖНО: Коли інструмент не використовується, натисніть кнопку блокування курка вимикача з боку В, щоб зафіксувати курок вимикача в положенні ВИМК.

► Рис.3: 1. Кнопка блокування курка вимикача
2. Курок вимикача

► Рис.4

Для запобігання раптовому натисканню курка вимикача передбачено кнопку блокування курка вимикача. Для натискання курка вимикача натисніть кнопку блокування курка з боку А. Після роботи слід завжди натискати на кнопку блокування курка вимикача з боку В.

Увімкнення підсвічування

▲ОБЕРЕЖНО: Не дивіться на світло або безпосередньо на джерело світла.

► Рис.5: 1. Лампа

Натисніть на курок вмикача або контактний елемент, щоб увімкнути підсвічування. Підсвічування горить, поки курок вмикача або контактний елемент залишається натиснутим. Підсвічування згасне приблизно за 10 секунд після відпускання курка вмикача та контактного елемента.

ПРИМІТКА: Для очищення скла лампи підсвічування протріть її сухою тканиною. Будьте обережні, щоб не подряпати скло лампи підсвічування, тому що це погіршить освітлювання.

ЗБОРКА

▲ОБЕРЕЖНО: Обов'язково виймайте касету з акумулятором, перш ніж починати будь-які роботи зі степлером.

Скоби

▲ОБЕРЕЖНО: Заборонено використовувати будь-які скоби, окрім тих, що вказані в цій інструкції, або пошкоджені, погнуті чи іржаві скоби.

▲ОБЕРЕЖНО: При заряджанні в магазин декількох блоків скоб використовуйте скоби однакового типу, розміру та довжини.

УВАГА: Зі скобами та коробкою з-під них слід поводитись обережно. Якщо зі скобами поводитись недбало, вони можуть погнутись та змінити форму, що призведе до перешкод під час подачі скоб та їхнього застрягання.

УВАГА: Уникайте зберігання скоб у дуже вологих або жарких місцях або місцях, що піддаються прямій дії сонячного світла.

Зарядження скоб

▲ПОПЕРЕДЖЕННЯ: Під час зарядження скоб обов'язково виймайте касету з акумулятором зі степлера. Випадковий постріл може призвести до травми та пошкодження майна.

▲ОБЕРЕЖНО: Після зарядження скоб впевніться, що допоміжний магазин надійно закритий. Випадання скоб із магазину може призвести до травми оператора або особи, яка знаходиться поруч, особливо під час роботи нагорі.

1. Зніміть касету з акумулятором.
2. Натисніть важіль блокування та пересуньте допоміжний магазин назад.
► **Рис.6:** 1. Важіль блокування 2. Допоміжний магазин
3. Завантажте скоби в основний магазин ніжками догори.
► **Рис.7:** 1. Скоби 2. Основний магазин
4. Після завантаження скоб вставляйте допоміжний магазин на місце, доки не почуєте клацання.
Щоб виняти скоби, виконайте процедуру встановлення у зворотному порядку.

Гак

⚠ОБЕРЕЖНО: Не вішайте гак на пояс.

Падіння степлера в разі випадкового зіскакування гака може призвести до ненавмисного пострілу та травм.

► **Рис.8**

Гак зручно використовувати для тимчасового підвішування інструмента. Його можна встановлювати на будь-якому боці інструмента.
Щоб встановити гак, вставте його в паз на корпусі інструмента з будь-якого боку та закріпіть за допомогою гвинта. Щоб зняти гак, відпустіть гвинт і витягніть його.

► **Рис.9:** 1. Паз 2. Гак 3. Гвинт

РОБОТА

Перевірка системи безпеки

⚠ПОПЕРЕДЖЕННЯ: Перед початком роботи обов'язково перевірте справність усіх систем безпеки. Невиконання цієї вимоги може призвести до отримання травм.

► **Рис.10:** 1. Кнопка блокування курка вмикача
2. Курок вмикача 3. Контактний елемент
4. Допоміжний магазин

Перед початком роботи перевірте можливі несправності системи безпеки наступним чином.

1. Витягніть скоби з інструмента та тримайте допоміжний магазин відкритим.
2. Установіть касету з акумулятором.
3. Натисніть лише курок вмикача, не торкаючись матеріалу контактним елементом.
4. Торкніться матеріалу лише контактним елементом, не натискаючи курок вмикача.

Якщо у випадках 3 та 4, наведених вище, інструмент працює, це означає, що системи безпеки несправні. негайно припиніть використання інструмента і зверніться до найближчого сервісного центру.

Забивання скоб

⚠ПОПЕРЕДЖЕННЯ: Не припиняйте притискати контактний елемент до матеріалу, доки скобу не буде повністю загнано. Випадковий постріл може призвести до травм.

► **Рис.11:** 1. Курок вмикача 2. Контактний елемент
3. Передня частина 4. Задня частина

Інструмент можна використовувати в режимі одинарного послідовного пуску або контактного пуску.

Одинарний послідовний пуск:

У цьому режимі можна забивати одну скобу за одну послідовну операцію.

1. Притисніть контактний елемент до матеріалу.
2. Міцно утримуйте передню та задню частини інструмента впритул до матеріалу.
3. Повністю натисніть на курок вмикача, щоб забити скоби.
4. Відпустіть палець від курка вмикача, перед тим як прибрати контактний елемент з матеріалу.

Контактний пуск:

У цьому режимі можна забивати скоби послідовно.

1. Натисніть на курок вмикача.
2. Утримуючи курок вмикача натиснутим, розташуйте контактний елемент на матеріалі, щоб забити скоби.
3. Пересуньте інструмент на наступну ділянку та знову розташуйте контактний елемент на матеріалі.

ПРИМІТКА: Паз вказує місце, де забивається скоба.

► **Рис.12:** 1. Паз

Якщо верхня частина скоби залишається над поверхнею деталі, слід забити скобу, міцно притискаючи голівку степлера до деталі.

► **Рис.13**

ПРИМІТКА: Якщо верхня частина скоби залишається над поверхнею деталі навіть у разі притискання голівки степлера, це свідчить про те, що такий матеріал може бути непридатним для забивання скоб за допомогою цього степлера. Подальше використання степлера для забивання скоб у такий матеріал може призвести до виходу з ладу механізму забивання та (або) заклинення степлера.

Механізм блокування спрацьовування при нестачі скоб

⚠ПОПЕРЕДЖЕННЯ: Під час заряджання скоб обов'язково виймайте касету з акумулятором зі степлера. Випадковий постріл може призвести до травми та пошкодження майна.

Цей інструмент обладнаний механізмом блокування спрацьовування в разі нестачі скоб. Коли кількість скоб, які залишилися в магазині, доходить до 5—8 штук, на курок вмикача більше не можна буде натискати. У цьому разі необхідно вставити в магазин новий блок скоб. Курок вмикача можна натискати знову.

Перевірка скоб, що залишилися

► **Рис.14:** 1. Оглядове вікно 2. Штовхач 3. Скоби

Кількість скоб, що залишилися, можна перевірити через оглядове вікно.

Якщо в оглядовому вікні не видно скоб, їх необхідно зарядити.

Видалення скоб, що застрягли

⚠ ПОПЕРЕДЖЕННЯ: Перед тим як витягнути скобу, що застрягла, завжди переконуйтеся у тому, що касету з акумулятором вийнято.

Відкрийте допоміжний магазин назад та витягніть скоби, що застрягли, з отвору для пострілу.

► **Рис.15:** 1. Отвір 2. Допоміжний магазин

ПРИМІТКА: Деякі елементи списку можуть входити до комплекту інструмента як стандартне приладдя. Вони можуть відрізнятись залежно від країни.

ТЕХНІЧНЕ ОБСЛУГОВУВАННЯ

⚠ ОБЕРЕЖНО: Перед здійсненням перевірки або обслуговування завжди перевіряйте, щоб інструмент був вимкнений, а касета з акумулятором була знята.

УВАГА: Ніколи не використовуйте газолін, бензин, розріджувач, спирт та подібні речовини. Їх використання може призвести до зміни кольору, деформації або появи тріщин.

Для забезпечення БЕЗПЕКИ та НАДІЙНОСТІ продукції, її ремонт, а також роботи з обслуговування або регулювання повинні виконуватись уповноваженими або заводськими сервісними центрами Makita із використанням запчастин виробництва компанії Makita.

ДОДАТКОВЕ ПРИЛАДДЯ

⚠ ОБЕРЕЖНО: Це додаткове та допоміжне обладнання рекомендовано використовувати з інструментом Makita, зазначеним у цій інструкції з експлуатації. Використання будь-якого іншого додаткового та допоміжного обладнання може становити небезпеку травмування. Використовуйте додаткове та допоміжне обладнання лише за призначенням.

У разі необхідності отримати допомогу в більш детальному ознайомленні з оснащенням звертайтеся до місцевого сервісного центру Makita.

- Скоби
- Оригінальний акумулятор та зарядний пристрій Makita
- Захисні окуляри
- Комплект регулювання глибини

SPECIFICAȚII

Model:	ST113D	
Lățimea capsei	10 mm	
Lungimea utilizabilă a capselor	7 mm - 10 mm	
Capacitatea magaziei de capsă	150 buc.	
Dimensiuni fără cârlig (L x l x İ)	211 mm x 81 mm x 159 mm	
Tensiune nominală	10,8 V - 12 V cc. max	
Cartușul acumulatorului	BL 1015, BL 1016, BL 1020B, BL 1021B	BL 1040B, BL 1041B
Greutate netă	1,3 kg	1,5 kg

- Datorită programului nostru continuu de cercetare și dezvoltare, specificațiile pot fi modificate fără o notificare prealabilă.
- Specificațiile și cartușul acumulatorului pot diferi de la țară la țară.
- Greutatea, cu cartușul acumulatorului, conform procedurii EPTA 01/2003

Destinația de utilizare

Mașina este destinată înfingerii capselor în materiale de construcții cum ar fi cherestea.

Zgomot

Nivelul de zgomot normal ponderat A determinat în conformitate cu EN60745:

Nivel de presiune acustică (L_{pA}): 75 dB(A)

Marjă de eroare (K): 3 dB(A)

Nivelul de zgomot în timpul funcționării poate depăși 80 dB (A).

⚠️ AVERTIZARE: Purtați echipament de protecție pentru urechi.

Vibrații

Valoarea totală a emisiilor de vibrații determinată conform EN60745:

Emisie de vibrații (a_n): 2,5 m/s² sau mai puțin

Marjă de eroare (K): 1,5 m/s²

NOTĂ: Nivelul de vibrații declarat a fost măsurat în conformitate cu metoda de test standard și poate fi utilizat pentru compararea unei unelte cu alta.

NOTĂ: Nivelul de vibrații declarat poate fi, de asemenea, utilizat într-o evaluare preliminară a expunerii.

⚠️ AVERTIZARE: Nivelul de vibrații în timpul utilizării efective a unelei electrice poate diferi de valoarea nivelului declarat, în funcție de modul în care unealta este utilizată.

⚠️ AVERTIZARE: Asigurați-vă că identificați măsurările de siguranță pentru a proteja operatorul, acestea fiind bazate pe o estimare a expunerii în condiții reale de utilizare (luând în considerare toate părțile ciclului de operare, precum timpul în care unealta a fost oprită, sau a funcționat în gol, pe lângă timpul de declanșare).

Declarație de conformitate CE

Numai pentru țările europene

Declarația de conformitate CE este inclusă ca Anexa A în acest manual de instrucțiuni.

AVERTIZĂRI DE SIGURANȚĂ

Avertismente generale de siguranță pentru mașinile electrice

⚠️ AVERTIZARE: Citiți toate avertismentele privind siguranța, instrucțiunile, ilustrațiile și specificațiile furnizate cu această sculă electrică. Nerespectarea integrală a instrucțiunilor de mai jos poate cauza electrocutări, incendii și/sau vătămări corporale grave.

Păstrați toate avertismentele și instrucțiunile pentru consultări ulterioare.

Termenul „mașină electrică” din avertizări se referă la mașinile dumneavoastră electrice acționate de la rețea (prin cablu) sau cu acumulator (fără cablu).

Avertismente de siguranță mașină de capsat cu acumulator

1. **Plecați întotdeauna de la presupunerea că mașina conține dispozitive de fixare.** Manipularea neatență a mașinii de capsat poate duce la declanșarea neașteptată a dispozitivelor de fixare și poate provoca vătămări corporale.

2. **Nu îndreptați mașina către dvs. sau către persoanele din jur.** Declanșarea neașteptată va duce la descărcarea dispozitivelor de fixare, provocând vătămări personale.
3. **Nu acționați mașina decât dacă aceasta este poziționată ferm pe piesa de prelucrat.** Dacă mașina nu intră în contact cu piesa de prelucrat, dispozitivul de fixare poate fi deviat de la ținta dvs.
4. **Decuplați mașina de la sursa de alimentare în momentul în care dispozitivul de fixare se blochează în mașină.** În timpul înlăturării dispozitivului de fixare blocat, mașina de capsat poate fi activată în mod accidental dacă este conectată.
5. **Fiți foarte atenți atunci când înlăturați un dispozitiv de fixare blocat.** Mecanismul poate fi sub comprimare și dispozitivul de fixare se poate descărca cu putere în timp ce încercați să eliberați blocajul.
6. **Nu utilizați această mașină de capsat pentru fixarea cablurilor electrice.** Aceasta nu este concepută pentru instalarea cablurilor electrice și poate deteriora izolația cablurilor electrice, cauzând astfel pericole de electrocutare sau de incendiu.
7. **Purtați întotdeauna ochelari de protecție sau ochelari de protecție cu scut lateral și o mască de protecție atunci când se impune.**
8. **Nu vă apropiați mâinile și picioarele de zona orificiului de evacuare.**
9. **Scoateți întotdeauna cartușul acumulatorului înainte de a efectua operațiunile de alimentare cu dispozitive de fixare, reglaj, inspecție, întreținere sau după încheierea lucrării.**
10. **Asigurați-vă că nu se află nimeni în apropiere înainte de începerea lucrării.** Nu încercați niciodată să aplicați dispozitivele de fixare simultan din partea interioară și exterioară. Dispozitivele de fixare pot traversa materialul și/sau pot fi proiectate în jur, reprezentând un pericol grav.
11. **Aveți grijă să vă mențineți un echilibru stabil atunci când utilizați mașina.** Asigurați-vă că nu se află nicio persoană dedesubt atunci când lucrați la înălțime.
12. **Verificați cu atenție pereții, tavanul, podeaua, acoperișul și alte asemenea pentru a evita electrocutarea, scurgerile de gaze, exploziile etc. cauzate de înfigerea capselor în cabluri electrice aflate sub tensiune, conducte sau țevi de gaz.**
13. **Utilizați doar dispozitivele de fixare specificate în acest manual.** Utilizarea altor dispozitive de fixare poate conduce la defectarea mașinii.
14. **Nu aduceți modificări mașinii și nu încercați să o utilizați în alte scopuri decât pentru înfigerea dispozitivelor de fixare.**
15. **Nu utilizați mașina fără dispozitive de fixare.** Acest lucru reduce durata de exploatare a mașinii.
16. **Înterupeți imediat operația de înfigere dacă observați un comportament defectuos sau ieșit din comun al mașinii.**
17. **Nu introduceți niciodată dispozitive de fixare în materiale care ar putea permite acestora să treacă prin ele și să fie proiectate în jur.**
18. **Nu acționați niciodată butonul declanșator și elementul de contact dacă nu sunteți pregătit să capsăți piesele de prelucrat.** Nu dezactivați niciodată funcția acestuia prin fixarea elementului de contact în poziție retrasă sau prin depresarea acestuia cu mâna.
19. **Nu dereglăți niciodată elementul de contact.** Verificați frecvent funcționarea corectă a elementului de contact.

PĂSTRAȚI ACESTE INSTRUCȚIUNI.

⚠️ AVERTIZARE: NU permiteți comodității și familiarizării cu produsul (obținute prin utilizare repetată) să înlocuiască respectarea strictă a normelor de securitate pentru acest produs. **FOLOSIREA INCORECTĂ** sau nerespectarea normelor de securitate din acest manual de instrucțiuni poate provoca vătămări corporale grave.

Instrucțiuni importante privind siguranța pentru cartușul acumulatorului

1. **Înainte de a folosi cartușul acumulatorului, citiți toate instrucțiunile și atenționările de pe (1) încărcătorul acumulatorului, (2) acumulator și (3) produsul care folosește acumulatorul.**
2. **Nu dezmembrați cartușul acumulatorului.**
3. **Dacă timpul de funcționare s-a redus excesiv, intrerupeți imediat funcționarea.** Aceasta poate prezenta risc de supraîncălzire, posibile arsuri și chiar explozie.
4. **Dacă electrolitul pătrunde în ochi, clătiți bine ochii cu apă curată și consultați imediat un medic.** Există risc de orbire.
5. **Nu scurtcircuitați cartușul acumulatorului:**
 - (1) **Nu atingeți bornele cu niciun material conductor.**
 - (2) **Evitați depozitarea cartușului acumulatorului la un loc cu alte obiecte metalice cum ar fi cuie, monede etc.**
 - (3) **Nu expuneți cartușul acumulatorului la apă sau ploaie.**

Un scurtcircuit al acumulatorului poate provoca un flux puternic de curent electric, supraîncălzire, posibile arsuri și chiar defectarea mașinii.
6. **Nu depozitați mașina și cartușul acumulatorului în spații în care temperatura poate atinge sau depăși 50 °C (122 °F).**
7. **Nu incinerăți cartușul acumulatorului chiar dacă acesta este grav deteriorat sau complet uzat.** Cartușul acumulatorului poate exploda în foc.
8. **Aveți grijă să nu scăpați sau să loviți acumulatorul.**
9. **Nu utilizați un acumulator deteriorat.**
10. **Acumulatorii Li-Ion încorporați se supun cerințelor Legislației privind substanțele periculoase.** Pentru transporturi comerciale, efectuate de exemplu de către părți terțe, expeditori, trebuie respectate cerințele speciale de ambalare și etichetare.

Pentru pregătirea articolului care urmează să fie expediat, este necesară consultarea unui expert în materiale periculoase. Vă rugăm să respectați, de asemenea, reglementările naționale, care pot fi mai detaliate.

Izolați sau acoperiți contactele deschise și împachetați acumulatorul în așa fel încât să nu se poată mișca în ambalaj.

11. **Respectați normele naționale privind eliminarea la deșeurile a acumulatorului.**
12. **Utilizați acumulatorii numai cu produsele specificate de Makita.** Instalarea acumulatorilor în produse neconforme poate cauza incendii, căldură excesivă, explozii sau scurgeri de electrolit.

PĂSTRAȚI ACESTE INSTRUCȚIUNI.

ATENȚIE: Folosiți numai acumulatori Makita originali. Acumulatorii Makita care nu sunt originali și acumulatorii care au suferit modificări se pot aprinde, provocând incendii, leziuni corporale și daune. De asemenea, anulează garanția oferită de Makita pentru unele și încărcătorul Makita.

Sfaturi pentru obținerea unei durate maxime de exploatare a acumulatorului

1. **Încărcați cartușul acumulatorului înainte de a se descărca complet.** Întrerupeți întotdeauna funcționarea mașinii și încărcați cartușul acumulatorului când observați o scădere a puterii mașinii.
2. **Nu reîncărcați niciodată un acumulator complet încărcat.** Supraîncărcarea va scurta durata de exploatare a acumulatorului.
3. **Încărcați cartușul acumulatorului la temperatura camerei, între 10 °C - 40 °C (50 °F - 104 °F).** Lăsați un acumulator fierbinte să se răcească înainte de a-l încărca.

DESCRIEREA FUNCȚIILOR

ATENȚIE: Asigurați-vă întotdeauna că mașina este oprită și cartușul acumulatorului este scos înainte de a ajusta sau verifica funcționarea mașinii.

Instalarea sau scoaterea cartușului acumulatorului

ATENȚIE: Opriți întotdeauna mașina înainte de montarea sau demontarea cartușului de acumulator.

ATENȚIE: Țineți ferm mașina și cartușul acumulatorului la montarea sau demontarea cartușului. În cazul în care nu țineți ferm mașina și cartușul de acumulator, acestea vă pot aluneca din mâini, rezultând defectarea mașinii și cartușului de acumulator, precum și în accidentări personale.

► Fig.1: 1. Indicator roșu 2. Buton 3. Cartușul acumulatorului

Pentru a scoate cartușul acumulatorului, glisați-l din mașină în timp ce glisați butonul de pe partea frontală a cartușului.

Pentru a instala cartușul acumulatorului, aliniați limba de pe cartușul acumulatorului cu canelura din carcasă și introduceți-l în locaș. Introduceți-l complet, până când se înclinetează în locaș. Dacă puteți vedea indicatorul roșu din partea superioară a butonului, acesta nu este blocat complet.

ATENȚIE: Instalați întotdeauna cartușul acumulatorului complet, până când indicatorul roșu nu mai este vizibil. În caz contrar, acesta poate cădea accidental din mașină provocând rănirea dumneavoastră sau a persoanelor din jur.

ATENȚIE: Nu forțați cartușul acumulatorului la montare. Dacă acesta nu glisează ușor, înseamnă că a fost introdus incorect.

Sistemul de protecție a acumulatorului

Mașina este prevăzută cu un sistem de protecție a acumulatorului. Sistemul întrerupe automat alimentarea motorului pentru a extinde durata de viață a acumulatorului.

Mașina se va opri automat în timpul funcționării când mașina și/sau acumulatorul se află într-una din situațiile următoare:

Suprasarcină:

Mașina este operată într-o manieră care determină atragerea unui curent de o intensitate anormal de ridicată.

În această situație, opriți mașina și aplicația care a dus la suprasolicitarea mașinii. Apoi reporniți mașina. Dacă mașina nu pornește, acumulatorul este supraîncălzit. În această situație, lăsați acumulatorul să se răcească înainte de a reporni mașina.

Tensiune scăzută acumulator:

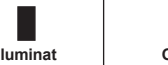




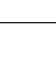


Capacitatea rămasă a acumulatorului este prea scăzută, iar mașina nu va funcționa. Dacă porniți mașina, motorul nu funcționează sau funcționează din nou, dar se oprește imediat. În această situație, scoateți și reîncărcați acumulatorul.

Indicarea capacității rămase a acumulatorului

Numai pentru cartușe de acumulator cu indicator

► **Fig.2:** 1. Lămpi indicatoare 2. Buton de verificare

Apăsați butonul de verificare de pe cartușul acumulatorului, astfel încât să se indice capacitățile rămase ale acumulatorului. Lămpile indicatorului vor lumina timp de câteva secunde.

Lămpi indicatoare		Capacitate rămasă
Iluminat	Oprit	
		între 75% și 100%
		între 50% și 75%
		între 25% și 50%
		între 0% și 25%

NOTĂ: În funcție de condițiile de utilizare și temperatura ambientală, indicația poate fi ușor diferită de capacitatea reală.

Aționarea întrerupătorului

ATENȚIE: Înainte de a introduce cartușul acumulatorului în mașină, verificați întotdeauna dacă butonul declanșator funcționează corect și revine în poziția „OFF” (oprit) când este eliberat.

ATENȚIE: Când nu utilizați mașina, apăsați butonul de blocare a butonului declanșator de pe partea B pentru a bloca butonul declanșator în poziția OPRIT.

► **Fig.3:** 1. Buton de blocare a butonului declanșator
2. Buton declanșator

► **Fig.4**

Pentru a preveni tragerea accidentală a butonului declanșator, este prevăzută butonul de blocare a butonului declanșator.

Pentru a trage butonul declanșator, apăsați butonul de blocare a butonului declanșator de pe partea A. După utilizare, apăsați întotdeauna butonul de blocare a butonului declanșator de pe partea B.

Aprinderea lămpii

ATENȚIE: Nu priviți direct în raza sau în sursa de lumină.

► **Fig.5:** 1. Lampă

Trageți butonul declanșator sau acționați elementul de contact pentru a aprinde lampa. Lampa continuă să lumineze în timp ce butonul declanșator este tras sau elementul de contact este acționat. Lampa se stinge după aproximativ 10 secunde de la eliberarea butonului declanșator și a elementului de contact.

NOTĂ: Folosiți o lavetă uscată pentru a șterge murdăria de pe lentila lămpii. Aveți grijă să nu zgâriați lentila lămpii deoarece, în caz contrar, iluminarea va fi redusă.

ASAMBLARE

ATENȚIE: Aveți grijă întotdeauna să scoateți cartușul acumulatorului înainte de a efectua orice activitate cu mașina de capsat.

Capse

ATENȚIE: Nu utilizați alte capse în afara celor specificate în acest manual sau capse deteriorate, îndoite, ruginite sau corodate.

ATENȚIE: Încărcați capse de același tip, mărime și de lungime uniformă atunci când încărcați mai multe benzi de capse în magazie.

NOTĂ: Manipulați cu grijă capsele și cutia acestora. Dacă sunt manipulate dur, capsele se pot deforma, iar alimentarea acestora poate deveni anevoioasă sau poate fi chiar blocată.

NOTĂ: Evitați depozitarea capselor într-un spațiu cu umiditate ridicată, la temperaturi mari, sau în bătaia directă a razelor solare.

Încărcarea capselor

AVERTIZARE: La încărcarea capselor, aveți grijă întotdeauna să scoateți cartușul acumulatorului din mașina de capsat. Declanșarea accidentală poate provoca vătămare și deteriorarea proprietății.

ATENȚIE: După încărcarea capselor, aveți grijă ca magazia auxiliară să fie închisă în siguranță. Capsule care cad din magazie pot provoca vătămare corporală a operatorului sau persoanelor din jur, mai ales atunci când se lucrează la înălțime.

1. Scoateți cartușul acumulatorului.
2. Apăsați pârghia de blocare și glisați magazia auxiliară înapoi.
► **Fig.6:** 1. Pârghie de blocare 2. Magazie auxiliară

3. Capsule se încarcă în magazia principală cu picioarele orientate în sus.
► **Fig.7:** 1. Capse 2. Magazie principală

4. După încărcarea capselor, împingeți magazia auxiliară înapoi până când se fixează în poziție cu un clic.

Pentru a scoate capsele, executați în ordine inversă procedura de montare.

Cârlig

⚠️ ATENȚIE: Nu agățați cârligul de centura de la brâu. Căderea mașinii de capsat, provocată de desprinderea accidentală a cârligului, poate provoca declanșarea accidentală și, ca urmare, vătămări corporale.

► Fig.8

Cârligul este util pentru suspendarea temporară a mașinii. Acesta poate fi instalat pe oricare latură a mașinii. Pentru a instala cârligul, introduceți-l într-o canelură din carcasa mașinii de pe oricare latură și fixați-l cu un șurub. Pentru demontare, slăbiți șuruburile și apoi scoateți-l.

► Fig.9: 1. Canelură 2. Cârlig 3. Șurub

OPERAREA

Testarea sistemului de siguranță

⚠️ AVERTIZARE: Asigurați-vă că toate sistemele de siguranță sunt funcționale înainte de utilizare. În caz contrar, există pericol de vătămări corporale.

► Fig.10: 1. Buton de blocare a butonului declanșator 2. Buton declanșator 3. Element de contact 4. Magazie auxiliară

Înainte de utilizare, testați sistemele de siguranță pentru a depista posibila funcționare defectuoasă, după cum urmează.

1. Descărcați capsele din mașină și țineți magazia auxiliară deschisă.
2. Montați cartușul acumulatorului.
3. Trageți doar butonul declanșator fără a atinge elementul de contact de material.
4. Atingeți doar elementul de contact de material fără a trage de butonul declanșator.

În cazul în care mașina operează în cazurile 3 și 4 de mai sus, sistemele de siguranță sunt defecte. Opriti imediat utilizarea mașinii și consultați centrul de service local.

Înfierea capselor

⚠️ AVERTIZARE: Continuați să puneți elementul de contact ferm pe material până când capsă este introdusă complet. Declanșarea accidentală poate provoca vătămări corporale.

► Fig.11: 1. Buton declanșator 2. Element de contact 3. Partea din față 4. Partea din spate

Puteți utiliza instrumentul fie prin „acționare secvențială unică”, fie prin „acționare prin contact”.

Acționare secvențială unică:

În acest mod, puteți acționa o capsă printr-o singură operație secvențială.

1. Amplasați elementul de contact în poziție orizontală pe material.
2. Țineți atât partea din față, cât și partea din spate a mașinii ferm pe material.
3. Trageți complet butonul declanșator pentru a acționa capsele.
4. Eliberați-vă degetul din butonul declanșator înainte de a muta elementul de contact de pe material.

Acționare prin contact:

În acest mod, puteți acționa capsele în mod secvențial.

1. Trageți butonul declanșator.
2. Cu butonul declanșator tras, amplasați elementul de contact în poziție orizontală pe material pentru a acționa capsele.
3. Deplasați mașina pe zona următoare și amplasați din nou elementul de contact în poziție orizontală pe material.

NOTĂ: Canelura indică punctul prin care este acționată capsă.

► Fig.12: 1. Canelură

În cazul în care capul capsei rămâne deasupra suprafeței piesei de prelucrat, acționați capsă în timp ce țineți bine capul mașinii de capsat pe piesa de prelucrat.

► Fig.13

NOTĂ: În cazul în care capul capsei continuă să rămână deasupra suprafeței piesei de prelucrat, chiar dacă țineți capul mașinii de capsat, este posibil ca materialul să nu fie adecvat pentru mașina de capsat. Continuarea utilizării mașinii de capsat pe un astfel de material poate cauza deteriorarea elementului de acționare a mașinii de capsat și/sau blocarea mașinii de capsat.

Mecanism împotriva declanșării în gol

⚠️ AVERTIZARE: La încărcarea capselor, aveți grijă întotdeauna să scoateți cartușul acumulatorului din mașina de capsat. Declanșarea accidentală poate provoca vătămare și deteriorarea proprietății.

Mașina este echipată cu un mecanism împotriva declanșării în gol. Atunci când numărul de capse rămase în magazie ajunge între 5 - 8 bucăți, butonul declanșator nu mai poate fi tras. În acest moment, introduceți o nouă bandă de capse în magazie. Butonul declanșator poate fi tras din nou.

Verificarea capselor rămase

► Fig.14: 1. Vizor 2. Împingător 3. Capse

Capsele rămase se pot verifica prin vizor. Când prin vizor nu se mai vede nicio capsă, reîncărcați cu capse.

Scoaterea capselor blocate

⚠️ AVERTIZARE: Asigurați-vă întotdeauna că ați scos cartușul acumulatorului înainte de a scoate capsele blocate.

Deschideți magazia auxiliară înapoi și scoateți capsele blocate de la deschiderea pentru declanșare.

► Fig.15: 1. Deschidere 2. Magazie auxiliară

ÎNȚREȚINERE

⚠️ ATENȚIE: Asigurați-vă întotdeauna că mașina este oprită și cartușul acumulatorului scos înainte de a executa lucrările de inspecție și întreținere.

NOTĂ: Nu utilizați niciodată gazolină, benzină, diluant, alcool sau alte substanțe asemănătoare. În caz contrar, pot rezulta decolorări, deformări sau fisuri.

Pentru a menține SIGURANȚA și FIABILITATEA produsului, reparațiile și orice alte lucrări de întreținere sau reglare trebuie executate de centre de service Makita autorizate sau proprii, folosind întotdeauna piese de schimb Makita.

ACCESORII OPȚIONALE

⚠️ ATENȚIE: Folosiți accesoriile sau piesele auxiliare recomandate pentru mașina dumneavoastră Makita în acest manual. Utilizarea oricăror alte accesorii sau piese auxiliare poate prezenta risc de vătămare corporală. Utilizați accesoriile și piesele auxiliare numai în scopul destinat.

Dacă aveți nevoie de asistență sau de mai multe detalii referitoare la aceste accesorii, adresați-vă centrului local de service Makita.

- Capse
- Acumulator și încărcător original Makita
- Ochelari de protecție
- Set de reglare a adâncimii

NOTĂ: Unele articole din listă pot fi incluse ca accesorii standard în ambalajul de scule. Acestea pot diferi în funcție de țară.

TECHNISCHE DATEN

Modell:	ST113D	
Heftklammerbreite	10 mm	
Länge der verwendbaren Heftklammern	7 mm - 10 mm	
Kapazität des Heftklammermagazins	150 Stück	
Abmessungen ohne Aufhänger (L x B x H)	211 mm x 81 mm x 159 mm	
Nennspannung	10,8 V Gleichstrom - 12 V max.	
Akku	BL 1015, BL 1016, BL 1020B, BL 1021B	BL 1040B, BL 1041B
Nettogewicht	1,3 kg	1,5 kg

- Wir behalten uns vor, Änderungen der technischen Daten im Zuge der Entwicklung und des technischen Fortschritts ohne vorherige Ankündigung vorzunehmen.
- Die technischen Daten und der Akku können von Land zu Land unterschiedlich sein.
- Gewicht mit Akku nach EPTA-Verfahren 01/2003

Vorgesehene Verwendung

Das Werkzeug ist für das Einpressen von Heftklammern in Baumaterial, wie z. B. Bauholz, vorgesehen.

Geräusch

Typischer A-bewerteter Geräuschpegel ermittelt gemäß EN60745:

Schalldruckpegel (L_{pA}): 75 dB (A)

Messunsicherheit (K): 3 dB (A)

Der Geräuschpegel kann während des Betriebs 80 dB (A) überschreiten.

⚠️ WARNUNG: Einen Gehörschutz tragen.

Schwingungen

Der Schwingungsgesamtwert wurde gemäß EN60745 ermittelt:

Schwingungsemission (a_w): 2,5 m/s² oder weniger

Messunsicherheit (K): 1,5 m/s²

HINWEIS: Der angegebene Schwingungsemissionswert wurde im Einklang mit der Standardprüfmethode gemessen und kann für den Vergleich zwischen Werkzeugen herangezogen werden.

HINWEIS: Der angegebene Schwingungsemissionswert kann auch für eine Vorbewertung des Gefährdungsgrads verwendet werden.

⚠️ WARNUNG: Die Schwingungsemission während der tatsächlichen Benutzung des Werkzeugs kann je nach der Benutzungsweise des Werkzeugs vom angegebenen Emissionswert abweichen.

⚠️ WARNUNG: Identifizieren Sie Sicherheitsmaßnahmen zum Schutz des Benutzers anhand einer Schätzung des Gefährdungsgrads unter den tatsächlichen Benutzungsbedingungen (unter Berücksichtigung aller Phasen des Arbeitszyklus, wie z. B. Ausschalt- und Leerlaufzeiten des Werkzeugs zusätzlich zur Betriebszeit).

EG-Konformitätserklärung

Nur für europäische Länder

Die EG-Konformitätserklärung ist als Anhang A in dieser Bedienungsanleitung enthalten.

SICHERHEITSWARNUNGEN

Allgemeine Sicherheitswarnungen für Elektrowerkzeuge

⚠️ WARNUNG: Lesen Sie alle mit diesem Elektrowerkzeug gelieferten Sicherheitswarnungen, Anweisungen, Abbildungen und technischen Daten durch. Eine Missachtung der unten aufgeführten Anweisungen kann zu einem elektrischen Schlag, Brand und/oder schweren Verletzungen führen.

Bewahren Sie alle Warnungen und Anweisungen für spätere Bezugnahme auf.

Der Ausdruck „Elektrowerkzeug“ in den Warnhinweisen bezieht sich auf Ihr mit Netzstrom (mit Kabel) oder Akku (ohne Kabel) betriebenes Elektrowerkzeug.

Sicherheitswarnungen für Akku-Tacker

1. **Gehen Sie stets von der Annahme aus, dass das Werkzeug Befestigungselemente enthält.** Achtlose Handhabung des Tackers kann zu unerwartetem Abschuss von Befestigungselementen und daraus resultierenden Personenschäden führen.
2. **Richten Sie das Werkzeug nicht auf sich oder umstehende Personen.** Unerwartete Auslösung bewirkt Abschuss des Befestigungselements und verursacht eine Verletzung.

3. **Betätigen Sie das Werkzeug nur, wenn es fest auf das Werkstück aufgesetzt ist.** Ist das Werkzeug nicht mit dem Werkstück in Kontakt, kann das Befestigungselement von Ihrem beabsichtigten Ziel abgelenkt werden.
4. **Trennen Sie das Werkzeug von der Stromquelle, wenn ein Befestigungselement im Werkzeug klemmt.** Ist der Stecker eingesteckt, kann der Tacker beim Entfernen eines klemmenden Befestigungselements versehentlich betätigt werden.
5. **Lassen Sie beim Entfernen eines klemmenden Befestigungselements Vorsicht walten.** Der Mechanismus kann unter Druck stehen, und das Befestigungselement kann abgeschossen werden, während versucht wird, den Klemmzustand aufzuheben.
6. **Benutzen Sie diesen Tacker nicht zur Befestigung von elektrischen Kabeln.** Er ist nicht für die Installation von elektrischen Kabeln ausgelegt und kann deren Isolierung beschädigen, was zu einem elektrischen Schlag oder Brand führen kann.
7. **Tragen Sie immer einen Augenschutz oder eine Schutzbrille mit Seitenschützern und bei Bedarf einen vollen Gesichtsschutz.**
8. **Halten Sie Hände und Füße vom Bereich der Auswurföffnung fern.**
9. **Nehmen Sie stets den Akku ab, bevor Sie die Befestigungselemente laden, Einstellungen, Überprüfungen, Wartungsarbeiten durchführen, oder nachdem die Arbeit abgeschlossen ist.**
10. **Vergewissern Sie sich vor der Arbeit, dass keine Personen in der Nähe sind.** Versuchen Sie niemals, Befestigungselemente gleichzeitig von der Innen- und Außenseite einer Wand einzutreiben. Befestigungselemente können durchschlagen und/oder herausfliegen, was eine große Gefahr darstellt.
11. **Achten Sie beim Arbeiten mit dem Werkzeug auf sicheren Stand und Gleichgewicht.** Vergewissern Sie sich bei Arbeiten an hohen Orten, dass sich niemand unterhalb aufhält.
12. **Überprüfen Sie Wände, Decken, Fußböden, Dach und dergleichen sorgfältig, um durch Kontakt mit Strom führenden Kabeln, Isolierrohren oder Gasrohren verursachte mögliche elektrische Schläge, Gaslecks, Explosionen usw. zu vermeiden.**
13. **Verwenden Sie nur die in dieser Anleitung angegebenen Befestigungselemente.** Die Verwendung anderer Befestigungselemente kann eine Funktionsstörung des Werkzeugs verursachen.
14. **Nehmen Sie keine unerlaubten Änderungen am Werkzeug vor, und versuchen Sie nicht, es für andere Zwecke als Eintreiben von Befestigungselementen zu verwenden.**
15. **Betreiben Sie das Werkzeug nicht ohne Befestigungselemente.** Dadurch wird die Nutzungsdauer des Werkzeugs verkürzt.
16. **Brechen Sie Eintreibarbeiten sofort ab, wenn Sie einen Defekt oder etwas Ungewöhnliches am Werkzeug feststellen.**
17. **Treiben Sie Befestigungselemente niemals in Materialien ein, die das Befestigungselement punktieren und wie ein Geschoss durchbohren kann.**
18. **Betätigen Sie den Auslöser und das Kontaktelement niemals, bevor Sie bereit sind, Werkstücke zu befestigen.** Heben Sie den Zweck des Kontaktelements keinesfalls durch Zurückhalten oder Niederdrücken von Hand auf.
19. **Nehmen Sie keine unerlaubten Eingriffe am Kontaktelement vor.** Überprüfen Sie das Kontaktelement häufig auf ordnungsgemäßen Betrieb.

DIESE ANWEISUNGEN AUFBEWAHREN.

⚠️ WARNUNG: Lassen Sie sich NICHT durch Bequemlichkeit oder Vertrautheit mit dem Produkt (durch wiederholten Gebrauch erworben) von der strikten Einhaltung der Sicherheitsregeln für das vorliegende Produkt abhalten. MISSBRAUCH oder Missachtung der Sicherheitsvorschriften in dieser Anleitung können schwere Verletzungen verursachen.

Wichtige Sicherheitsanweisungen für Akku

1. **Lesen Sie vor der Benutzung des Akkus alle Anweisungen und Warnhinweise, die an (1) Ladegerät, (2) Akku und (3) Akkuwerkzeug angebracht sind.**
2. **Unterlassen Sie ein Zerlegen des Akkus.**
3. **Falls die Betriebszeit beträchtlich kürzer geworden ist, stellen Sie den Betrieb sofort ein.** Anderenfalls besteht die Gefahr von Überhitzung, möglichen Verbrennungen und sogar einer Explosion.
4. **Falls Elektrolyt in Ihre Augen gelangt, waschen Sie sie mit sauberem Wasser aus, und begeben Sie sich unverzüglich in ärztliche Behandlung.** Anderenfalls können Sie Ihre Sehkraft verlieren.
5. **Der Akku darf nicht kurzgeschlossen werden:**
 - (1) **Die Kontakte dürfen nicht mit leitfähigem Material berührt werden.**
 - (2) **Lagern Sie den Akku nicht in einem Behälter zusammen mit anderen Metallgegenständen, wie z. B. Nägel, Münzen usw.**
 - (3) **Setzen Sie den Akku weder Wasser noch Regen aus.**

Ein Kurzschluss des Akkus verursacht starken Stromfluss, der Überhitzung, mögliche Verbrennungen und einen Defekt zur Folge haben kann.
6. **Lagern Sie das Werkzeug und den Akku nicht an Orten, an denen die Temperatur 50 °C erreichen oder überschreiten kann.**
7. **Versuchen Sie niemals, den Akku zu verbrennen, selbst wenn er stark beschädigt oder vollkommen verbraucht ist.** Der Akku kann im Feuer explodieren.

8. **Achten Sie darauf, dass der Akku nicht fallen gelassen oder Stößen ausgesetzt wird.**
9. **Benutzen Sie keine beschädigten Akkus.**
10. **Die enthaltenen Lithium-Ionen-Akkus unterliegen den Anforderungen der Gefahrgut-Gesetzgebung.**
Für kommerzielle Transporte, z. B. durch Dritte oder Spediteure, müssen besondere Anforderungen zu Verpackung und Etikettierung beachtet werden.
Zur Vorbereitung des zu transportierenden Artikels ist eine Beratung durch einen Experten für Gefahrgut erforderlich. Bitte beachten Sie möglicherweise ausführlichere nationale Vorschriften. Überkleben oder verdecken Sie offene Kontakte, und verpacken Sie den Akku so, dass er sich in der Verpackung nicht umher bewegen kann.
11. **Befolgen Sie die örtlichen Bestimmungen bezüglich der Entsorgung von Akkus.**
12. **Verwenden Sie die Akkus nur mit den von Makita angegebenen Produkten.** Das Einsetzen der Akkus in nicht konforme Produkte kann zu einem Brand, übermäßiger Hitzebildung, einer Explosion oder Auslaufen von Elektrolyt führen.

DIESE ANWEISUNGEN AUFBEWAHREN.

⚠ VORSICHT: Verwenden Sie nur Original-Makita-Akkus. Die Verwendung von Nicht-Original-Makita-Akkus oder von Akkus, die abgeändert worden sind, kann zum Bersten des Akkus und daraus resultierenden Bränden, Personenschäden und Beschädigung führen. Außerdem wird dadurch die Makita-Garantie für das Makita-Werkzeug und -Ladegerät ungültig.

Hinweise zur Aufrechterhaltung der maximalen Akku-Nutzungsdauer

1. **Laden Sie den Akku, bevor er vollkommen erschöpft ist. Schalten Sie das Werkzeug stets aus, und laden Sie den Akku, wenn Sie ein Nachlassen der Werkzeugleistung feststellen.**
2. **Unterlassen Sie erneutes Laden eines voll aufgeladenen Akkus. Überladen führt zu einer Verkürzung der Nutzungsdauer des Akkus.**
3. **Laden Sie den Akku bei Raumtemperatur zwischen 10 – 40 °C. Lassen Sie einen heißen Akku abkühlen, bevor Sie ihn laden.**

FUNKTIONSBESCHREIBUNG

⚠ VORSICHT: Vergewissern Sie sich vor der Durchführung von Einstellungen oder Funktionsprüfungen des Werkzeugs stets, dass das Werkzeug ausgeschaltet und der Akku abgenommen ist.

Anbringen und Abnehmen des Akkus

⚠ VORSICHT: Schalten Sie das Werkzeug stets aus, bevor Sie den Akku anbringen oder abnehmen.

⚠ VORSICHT: Halten Sie das Werkzeug und den Akku beim Anbringen oder Abnehmen des Akkus sicher fest. Wenn Sie das Werkzeug und den Akku nicht sicher festhalten, können sie Ihnen aus der Hand rutschen, was zu einer Beschädigung des Werkzeugs und des Akkus und zu Körperverletzungen führen kann.

► **Abb.1:** 1. Rote Anzeige 2. Knopf 3. Akku

Ziehen Sie den Akku zum Abnehmen vom Werkzeug ab, während Sie den Knopf an der Vorderseite des Akkus verschieben.

Richten Sie zum Anbringen des Akkus dessen Führungsfeder auf die Nut im Gehäuse aus, und schieben Sie den Akku hinein. Schieben Sie ihn vollständig ein, bis er mit einem hörbaren Klicken einrastet. Falls die rote Anzeige an der Oberseite des Knopfes sichtbar ist, ist der Akku nicht vollständig verriegelt.

⚠ VORSICHT: Schieben Sie den Akku stets bis zum Anschlag ein, bis die rote Anzeige nicht mehr sichtbar ist. Anderenfalls kann er aus dem Werkzeug herausfallen und Sie oder umstehende Personen verletzen.

⚠ VORSICHT: Unterlassen Sie Gewaltanwendung beim Anbringen des Akkus. Falls der Akku nicht reibungslos hineingleitet, ist er nicht richtig ausgerichtet.

Akku-Schutzsystem

Das Werkzeug ist mit einem Akku-Schutzsystem ausgestattet. Dieses System schaltet die Stromversorgung des Motors automatisch ab, um die Akku-Lebensdauer zu verlängern.

Das Werkzeug schaltet sich während des Betriebs automatisch ab, wenn Werkzeug und/oder Akku einer der folgenden Bedingungen unterliegen:

Überlastung:

Das Werkzeug wird auf eine Weise benutzt, die eine ungewöhnlich hohe Stromaufnahme bewirkt. Schalten Sie in dieser Situation das Werkzeug aus, und brechen Sie die Arbeit ab, die eine Überlastung des Werkzeugs verursacht hat. Schalten Sie dann das Werkzeug wieder ein, um neu zu starten. Falls das Werkzeug nicht startet, ist der Akku überhitzt. Lassen Sie den Akku in dieser Situation abkühlen, bevor Sie das Werkzeug wieder einschalten.

Niedrige Akkuspannung:









Die Akku-Restkapazität ist zu niedrig, und das Werkzeug funktioniert nicht. Wenn Sie das Werkzeug einschalten, läuft der Motor nicht, oder er läuft wieder, bleibt aber bald stehen. Nehmen Sie in dieser Situation den Akku ab, und laden Sie ihn auf.

Anzeigen der Akku-Restkapazität

Nur für Akkus mit Anzeige

► **Abb.2:** 1. Anzeigelampen 2. Prüftaste

Drücken Sie die Prüftaste am Akku, um die Akku-Restkapazität anzuzeigen. Die Anzeigelampen leuchten wenige Sekunden lang auf.

Anzeigelampen		Restkapazität
Erleuchtet	Aus	
		75% bis 100%
		50% bis 75%
		25% bis 50%
		0% bis 25%

HINWEIS: Abhängig von den Benutzungsbedingungen und der Umgebungstemperatur kann die Anzeige geringfügig von der tatsächlichen Kapazität abweichen.

Schalterfunktion

⚠ VORSICHT: Vergewissern Sie sich vor dem Einsetzen des Akkus in das Werkzeug stets, dass der Ein-Aus-Schalter ordnungsgemäß funktioniert und beim Loslassen in die AUS-Stellung zurückkehrt.

⚠ VORSICHT: Wenn Sie das Werkzeug nicht benutzen, drücken Sie den Auslösesperrknopf auf der Seite B hinein, um den Auslöser in der Stellung OFF zu verriegeln.

► **Abb.3:** 1. Auslösesperrknopf 2. Auslöser

► **Abb.4**

Um versehentliche Betätigung des Auslösers zu verhindern, ist das Werkzeug mit einem Auslösesperrknopf ausgestattet.

Um den Auslöser zu betätigen, drücken Sie den Auslösesperrknopf auf der Seite A hinein. Drücken Sie den Auslösesperrknopf nach der Benutzung stets auf der Seite B hinein.

Einschalten der Lampe

⚠ VORSICHT: Blicken Sie nicht direkt in die Lampe oder die Lichtquelle.

► **Abb.5:** 1. Lampe

Betätigen Sie den Auslöser oder das Kontaktelement, um die Lampe einzuschalten. Die Lampe bleibt erleuchtet, solange der Auslöser gedrückt oder das Kontaktelement betätigt wird. Die Lampe erlischt ungefähr 10 Sekunden nach dem Loslassen des Auslösers und des Kontaktelements.

HINWEIS: Wischen Sie Schmutz auf der Lampenlinse mit einem trockenen Tuch ab. Achten Sie sorgfältig darauf, dass Sie die Lampenlinse nicht verkratzen, weil sich sonst die Lichtstärke verringert.

MONTAGE

⚠ VORSICHT: Vergewissern Sie sich stets, dass der Akku abgenommen ist, bevor Sie irgendwelche Arbeiten am Tacker ausführen.

Heftklammern

⚠ VORSICHT: Verwenden Sie keine anderen Heftklammern als die in dieser Anleitung angegebenen, oder Heftklammern, die beschädigt, verbogen, rostig oder korrodiert zu sein scheinen.

⚠ VORSICHT: Achten Sie darauf, dass Sie Heftklammern desselben Typs, derselben Größe und der gleichen Länge einlegen, wenn Sie mehrere Heftklammerstreifen in das Magazin laden.

ANMERKUNG: Behandeln Sie die Heftklammern und ihre Schachteln sorgfältig. Bei grober Behandlung können die Heftklammern verbogen werden, wodurch Transportstörungen oder Klemmen verursacht werden können.

ANMERKUNG: Vermeiden Sie die Lagerung von Heftklammern an sehr feuchten oder heißen Orten oder an Orten, die direktem Sonnenlicht ausgesetzt sind.

Laden von Heftklammern

⚠ WARNUNG: Vergewissern Sie sich vor dem Laden von Heftklammern stets, dass der Akku vom Tacker abgenommen ist. Unbeabsichtigtes Abschießen kann Personenschäden und Sachschäden verursachen.

⚠ VORSICHT: Vergewissern Sie sich nach dem Laden von Heftklammern, dass das Untermagazin sicher geschlossen ist. Aus dem Magazin herausfallende Heftklammern können Verletzungen des Bedieners oder von Umstehenden verursachen, besonders beim Arbeiten an hohen Orten.

1. Nehmen Sie den Akku ab.
2. Drücken Sie den Feststellhebel, und schieben Sie das Untermagazin nach hinten.
► **Abb.6:** 1. Feststellhebel 2. Untermagazin
3. Laden Sie Heftklammern mit den Füßen nach oben in das Hauptmagazin.
► **Abb.7:** 1. Heftklammern 2. Hauptmagazin

4. Schieben Sie das Untermagazin nach dem Laden der Heftklammern hinein, bis es einrastet.

Zum Herausnehmen von Heftklammern wenden Sie das Installationsverfahren umgekehrt an.

Aufhänger

⚠ VORSICHT: Hängen Sie den Aufhänger nicht in das Koppel ein. Herunterfallen des Tackers, das durch versehentliches Abrutschen des Aufhängers verursacht wird, kann unbeabsichtigtes Abschießen und daraus resultierende Personenschäden verursachen.

► **Abb.8**

Der Aufhänger ist praktisch, um das Werkzeug vorübergehend aufzuhängen. Dieser kann auf beiden Seiten des Werkzeugs angebracht werden.

Um den Aufhänger anzubringen, führen Sie ihn in die Nut entweder auf der linken oder rechten Seite des Werkzeuggehäuses ein, und sichern Sie ihn dann mit einer Schraube. Um ihn zu entfernen, lösen Sie die Schraube, und nehmen Sie ihn dann heraus.

► **Abb.9:** 1. Nut 2. Aufhänger 3. Schraube

BETRIEB

Testen des Sicherheitssystems

⚠ WARNUNG: Vergewissern Sie sich vor der Benutzung, dass alle Sicherheitssysteme in gutem Betriebszustand sind. Anderenfalls kann es zu Verletzungen kommen.

► **Abb.10:** 1. Auslöserspercknopf 2. Auslöser
3. Kontaktelement 4. Untermagazin

Prüfen Sie die Sicherheitssysteme vor dem Betrieb auf mögliche Fehler. Gehen Sie dazu wie folgt vor.

1. Nehmen Sie die Heftklammern aus dem Werkzeug heraus, und halten Sie das Untermagazin offen.
2. Setzen Sie den Akku ein.
3. Betätigen Sie nur den Auslöser, ohne das Kontaktelement gegen das Material zu halten.
4. Halten Sie nur das Kontaktelement gegen das Material, ohne den Auslöser zu betätigen.

Falls das Werkzeug in den obigen Fällen 3 und 4 betätigt wird, sind die Sicherheitssysteme defekt. Brechen Sie sofort die Benutzung des Werkzeugs ab, und wenden Sie sich an Ihr örtliches Kundenzentrum.

Eintreiben von Heftklammern

⚠ WARNUNG: Halten Sie das Kontaktelement fest gegen das Material gedrückt, bis die Heftklammer vollständig eingetrieben ist. Unbeabsichtigtes Abschießen kann Personenschäden verursachen.

► **Abb.11:** 1. Auslöser 2. Kontaktelement 3. Vorderer Teil 4. Hinterer Teil

Das Werkzeug kann entweder mit „Einzelauslösung“ oder „Kontaktauslösung“ betrieben werden.

Einzelauslösung:

In dieser Betriebsart können Sie eine einzelne Heftklammer in einem sequenziellen Vorgang eintreiben.

1. Setzen Sie das Kontaktelement flach auf das Material.
2. Halten Sie den vorderen und hinteren Teil des Werkzeugs fest gegen das Material.
3. Betätigen Sie den Auslöser vollständig, um die Heftklammern einzutreiben.
4. Lassen Sie den Auslöser los, bevor Sie das Kontaktelement vom Material entfernen.

Kontaktauslösung:

In dieser Betriebsart können Sie Heftklammern fortlaufend eintreiben.

1. Betätigen Sie den Auslöser.
2. Setzen Sie das Kontaktelement bei betätigtem Auslöser flach auf das Material, um die Heftklammern einzutreiben.
3. Bewegen Sie das Werkzeug zur nächsten Stelle, und setzen Sie das Kontaktelement erneut flach auf das Material.

HINWEIS: Die Nut kennzeichnet den Eintreibpunkt der Heftklammer.

► **Abb.12:** 1. Nut

Wenn der Kopf der Heftklammer oberhalb der Werkstückoberfläche bleibt, halten Sie den Tackerkopf beim Eintreiben der Heftklammer fest gegen das Werkstück gedrückt.

► **Abb.13**

HINWEIS: Wenn der Kopf der Heftklammer noch immer oberhalb der Werkstückoberfläche bleibt, obwohl Sie den Tackerkopf gedrückt halten, ist das Material möglicherweise nicht für den Tacker geeignet. Fortgesetzter Gebrauch des Tackers auf solchem Material kann zu einer Beschädigung des Tackertreibers und/oder Klemmen des Tackers führen.

Leerschuss-Sicherungsmechanismus

⚠ WARNUNG: Vergewissern Sie sich vor dem Laden von Heftklammern stets, dass der Akku vom Tacker abgenommen ist. Unbeabsichtigtes Abschießen kann Personenschäden und Sachschäden verursachen.

Dieses Werkzeug ist mit einem Leerschuss-Sicherungsmechanismus ausgestattet. Wenn die Zahl der verbleibenden Heftklammern im Magazin 5 - 8 Stück erreicht, kann der Auslöser nicht mehr betätigt werden. Legen Sie in diesem Fall einen neuen Heftklammerstreifen in das Magazin ein. Nun kann der Auslöser wieder betätigt werden.

Überprüfen des Heftklammervorrats

► **Abb.14:** 1. Sichtfenster 2. Drücker 3. Heftklammern

Der Heftklammervorrat kann durch das Sichtfenster überprüft werden.

Laden Sie Heftklammern nach, wenn keine Heftklammern mehr im Sichtfenster zu sehen sind.

Entfernen gestauter Heftklammern

⚠ WARNUNG: Vergewissern Sie sich stets, dass der Akku abgenommen ist, bevor Sie gestaute Heftklammern entfernen.

Öffnen Sie das Untermagazin nach hinten, und nehmen Sie gestaute Heftklammern aus der Abschussöffnung heraus.

► **Abb.15:** 1. Öffnung 2. Untermagazin

WARTUNG

⚠ VORSICHT: Vergewissern Sie sich vor der Durchführung von Inspektions- oder Wartungsarbeiten stets, dass das Werkzeug ausgeschaltet und der Akku abgenommen ist.

ANMERKUNG: Verwenden Sie auf keinen Fall Benzin, Waschbenzin, Verdünner, Alkohol oder dergleichen. Solche Mittel können Verfärbung, Verformung oder Rissbildung verursachen.

Um die SICHERHEIT und ZUVERLÄSSIGKEIT dieses Produkts zu gewährleisten, sollten Reparaturen und andere Wartungs- oder Einstellarbeiten nur von Makita-Vertragswerkstätten oder Makita-Kundendienstzentren unter ausschließlicher Verwendung von Makita-Originalersatzteilen ausgeführt werden.

SONDERZUBEHÖR

⚠ VORSICHT: Die folgenden Zubehörteile oder Vorrichtungen werden für den Einsatz mit dem in dieser Anleitung beschriebenen Makita-Werkzeug empfohlen. Die Verwendung anderer Zubehörteile oder Vorrichtungen kann eine Verletzungsgefahr darstellen. Verwenden Sie Zubehörteile oder Vorrichtungen nur für ihren vorgesehenen Zweck.

Wenn Sie weitere Einzelheiten bezüglich dieser Zubehörteile benötigen, wenden Sie sich bitte an Ihre Makita-Kundendienststelle.

- Heftklammern
- Original-Makita-Akku und -Ladegerät
- Schutzbrille
- Tiefeneinstellersatz

HINWEIS: Manche Teile in der Liste können als Standardzubehör im Werkzeugsatz enthalten sein. Sie können von Land zu Land unterschiedlich sein.

Makita Europe N.V. Jan-Baptist Vinkstraat 2,
3070 Kortenberg, Belgium

Makita Corporation 3-11-8, Sumiyoshi-cho,
Anjo, Aichi 446-8502 Japan

www.makita.com

885534A975
EN, PL, HU, SK,
CS, UK, RO, DE
20171102