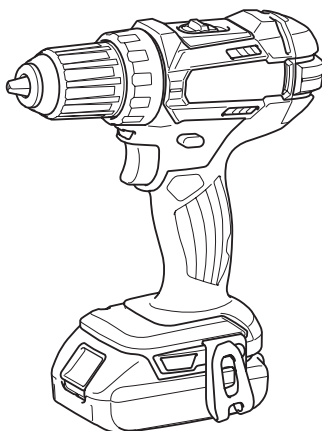




EN	Cordless Driver Drill	INSTRUCTION MANUAL	5
PL	Akum. wiertarko-wkrętarka	INSTRUKCJA OBSŁUGI	11
HU	Akkumulátoros fúró-csavarbehajtó	HASZNÁLATI KÉZIKÖNYV	18
SK	Ľahký vŕtací skrutkovač	NÁVOD NA OBSLUHU	24
CS	Akkumulátorový vrtací šroubovák	NÁVOD K OBSLUZE	30
UK	Дриль із бездротовим приводом	ІНСТРУКЦІЯ З ЕКСПЛУАТАЦІЇ	36
RO	Mașină de găurit și înșurubat cu acumulator	MANUAL DE INSTRUCȚIUNI	43
DE	Akku-Bohrschrauber	BETRIEBSANLEITUNG	49

DDF482



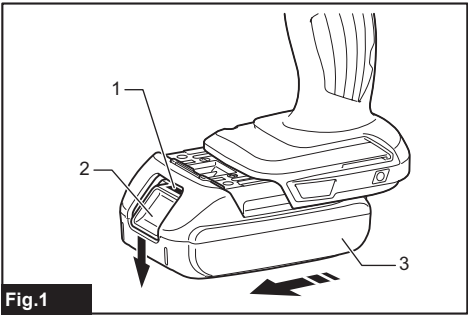


Fig.1

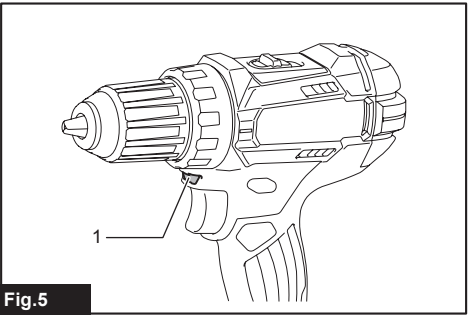


Fig.5

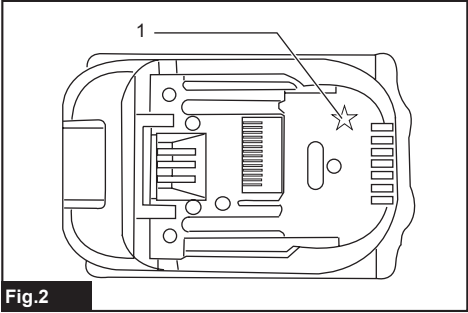


Fig.2

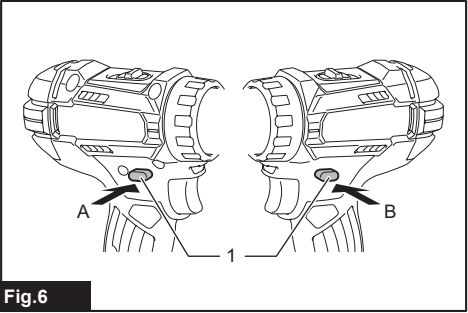


Fig.6

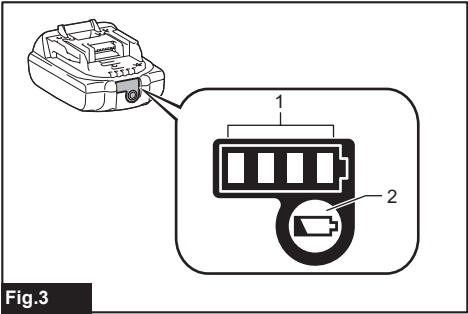


Fig.3

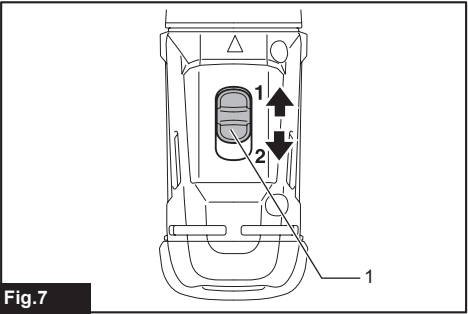


Fig.7

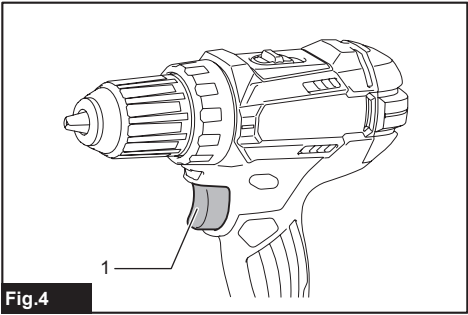


Fig.4

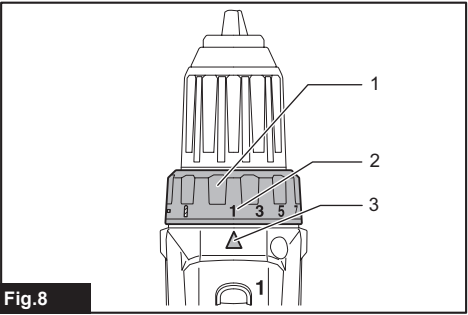


Fig.8

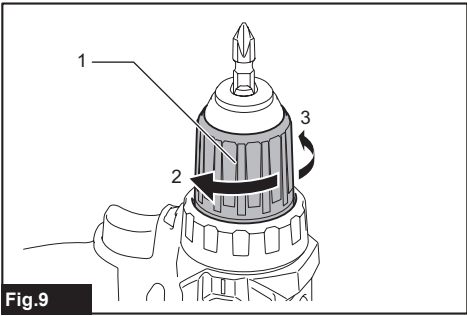


Fig.9

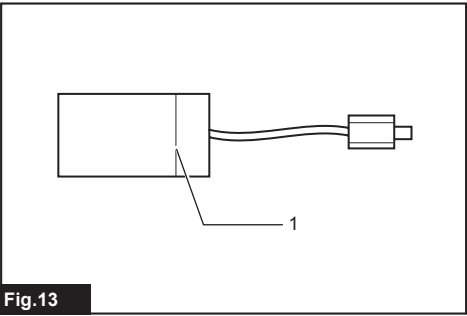


Fig.13

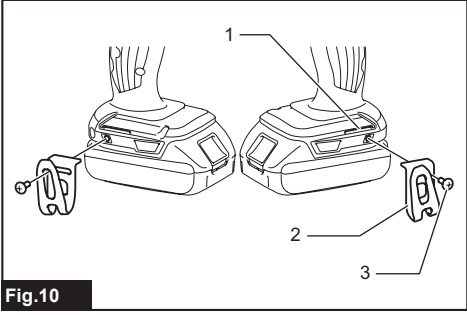


Fig.10

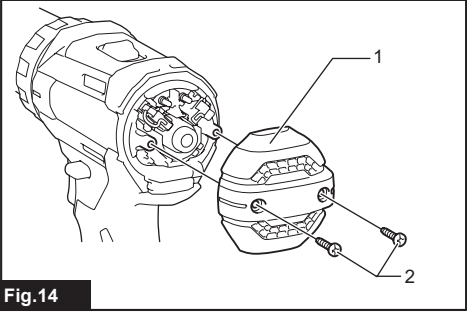


Fig.14

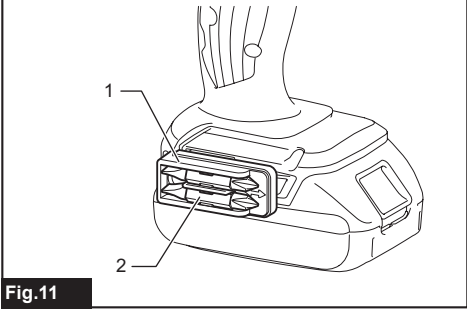


Fig.11

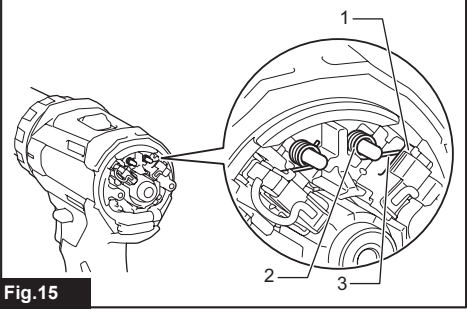


Fig.15

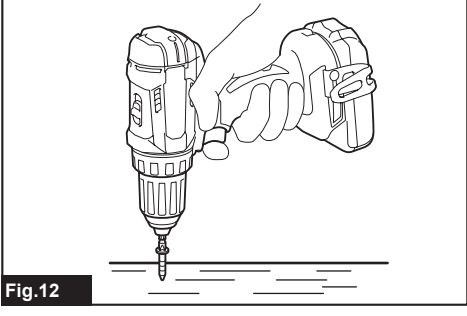


Fig.12

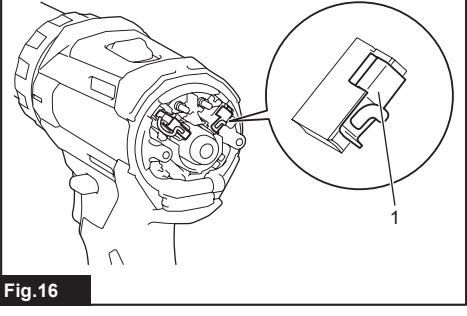
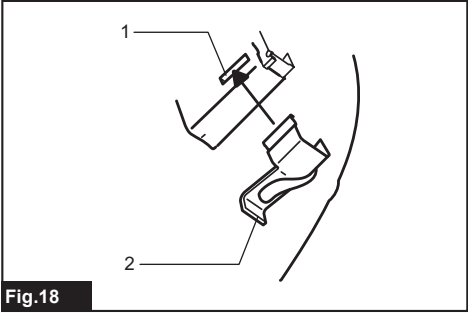
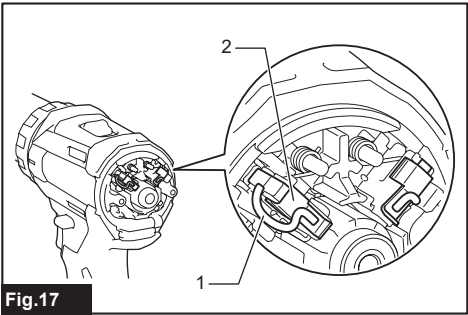


Fig.16



SPECIFICATIONS

Model:		DDF482
Drilling capacities	Steel	13 mm
	Wood	38 mm
Fastening capacities	Wood screw	10 mm x 90 mm
	Machine screw	M6
No load speed	High (2)	0 - 1,900 min ⁻¹
	Low (1)	0 - 600 min ⁻¹
Overall length	185 mm	
Rated voltage	D.C. 18 V	
Battery cartridge	BL1815N, BL1820, BL1820B	BL1830, BL1840, BL1850, BL1830B, BL1840B, BL1850B, BL1860B
Net weight	1.5 kg	1.7 kg

- Due to our continuing program of research and development, the specifications herein are subject to change without notice.
- Specifications and battery cartridge may differ from country to country.
- Weight, with battery cartridge, according to EPTA-Procedure 01/2003

Intended use

The tool is intended for drilling and screw driving in wood, metal and plastic.

Noise

The typical A-weighted noise level determined according to EN60745:

Sound pressure level (L_{pA}) : 75 dB(A)

Uncertainty (K) : 3 dB(A)

The noise level under working may exceed 80 dB (A).

⚠ WARNING: Wear ear protection.

Vibration

The vibration total value (tri-axial vector sum) determined according to EN60745:

Work mode: drilling into metal

Vibration emission (a_{n,D}) : 2.5 m/s² or less

Uncertainty (K) : 1.5 m/s²

NOTE: The declared vibration emission value has been measured in accordance with the standard test method and may be used for comparing one tool with another.

NOTE: The declared vibration emission value may also be used in a preliminary assessment of exposure.

⚠ WARNING: The vibration emission during actual use of the power tool can differ from the declared emission value depending on the ways in which the tool is used.

⚠ WARNING: Be sure to identify safety measures to protect the operator that are based on an estimation of exposure in the actual conditions of use (taking account of all parts of the operating cycle such as the times when the tool is switched off and when it is running idle in addition to the trigger time).

EC Declaration of Conformity

For European countries only

Makita declares that the following Machine(s):

Designation of Machine: Cordless Driver Drill

Model No./ Type: DDF482

Conforms to the following European Directives:

2006/42/EC

They are manufactured in accordance with the following standard or standardized documents: EN60745

The technical file in accordance with 2006/42/EC is available from:

Makita, Jan-Baptist Vinkstraat 2, 3070, Belgium
30.3.2015



Yasushi Fukaya

Director

Makita, Jan-Baptist Vinkstraat 2, 3070, Belgium

General power tool safety warnings

⚠ WARNING: Read all safety warnings and all instructions. Failure to follow the warnings and instructions may result in electric shock, fire and/or serious injury.

Save all warnings and instructions for future reference.

The term "power tool" in the warnings refers to your mains-operated (corded) power tool or battery-operated (cordless) power tool.

Cordless driver drill safety warnings

1. Use auxiliary handle(s), if supplied with the tool. Loss of control can cause personal injury.
2. Hold power tool by insulated gripping surfaces, when performing an operation where the cutting accessory may contact hidden wiring. Cutting accessory contacting a "live" wire may make exposed metal parts of the power tool "live" and could give the operator an electric shock.
3. Hold power tool by insulated gripping surfaces, when performing an operation where the fastener may contact hidden wiring. Fasteners contacting a "live" wire may make exposed metal parts of the power tool "live" and could give the operator an electric shock.
4. Always be sure you have a firm footing. Be sure no one is below when using the tool in high locations.
5. Hold the tool firmly.
6. Keep hands away from rotating parts.
7. Do not leave the tool running. Operate the tool only when hand-held.
8. Do not touch the drill bit or the workpiece immediately after operation; they may be extremely hot and could burn your skin.
9. Some material contains chemicals which may be toxic. Take caution to prevent dust inhalation and skin contact. Follow material supplier safety data.

SAVE THESE INSTRUCTIONS.

⚠ WARNING: DO NOT let comfort or familiarity with product (gained from repeated use) replace strict adherence to safety rules for the subject product. MISUSE or failure to follow the safety rules stated in this instruction manual may cause serious personal injury.

Important safety instructions for battery cartridge

1. Before using battery cartridge, read all instructions and cautionary markings on (1) battery charger, (2) battery, and (3) product using battery.
2. Do not disassemble battery cartridge.
3. If operating time has become excessively shorter, stop operating immediately. It may result in a risk of overheating, possible burns and even an explosion.

4. If electrolyte gets into your eyes, rinse them out with clear water and seek medical attention right away. It may result in loss of your eyesight.
5. Do not short the battery cartridge:
 - (1) Do not touch the terminals with any conductive material.
 - (2) Avoid storing battery cartridge in a container with other metal objects such as nails, coins, etc.
 - (3) Do not expose battery cartridge to water or rain.

A battery short can cause a large current flow, overheating, possible burns and even a breakdown.
6. Do not store the tool and battery cartridge in locations where the temperature may reach or exceed 50 °C (122 °F).
7. Do not incinerate the battery cartridge even if it is severely damaged or is completely worn out. The battery cartridge can explode in a fire.
8. Be careful not to drop or strike battery.
9. Do not use a damaged battery.
10. The contained lithium-ion batteries are subject to the Dangerous Goods Legislation requirements.

For commercial transports e.g. by third parties, forwarding agents, special requirement on packaging and labeling must be observed. For preparation of the item being shipped, consulting an expert for hazardous material is required. Please also observe possibly more detailed national regulations.

Tape or mask off open contacts and pack up the battery in such a manner that it cannot move around in the packaging.
11. Follow your local regulations relating to disposal of battery.

SAVE THESE INSTRUCTIONS.

⚠ CAUTION: Only use genuine Makita batteries. Use of non-genuine Makita batteries, or batteries that have been altered, may result in the battery bursting causing fires, personal injury and damage. It will also void the Makita warranty for the Makita tool and charger.

Tips for maintaining maximum battery life

1. Charge the battery cartridge before completely discharged. Always stop tool operation and charge the battery cartridge when you notice less tool power.
2. Never recharge a fully charged battery cartridge. Overcharging shortens the battery service life.
3. Charge the battery cartridge with room temperature at 10 °C - 40 °C (50 °F - 104 °F). Let a hot battery cartridge cool down before charging it.
4. Charge the battery cartridge if you do not use it for a long period (more than six months).

FUNCTIONAL DESCRIPTION

CAUTION: Always be sure that the tool is switched off and the battery cartridge is removed before adjusting or checking function on the tool.

Installing or removing battery cartridge

CAUTION: Always switch off the tool before installing or removing of the battery cartridge.

CAUTION: Hold the tool and the battery cartridge firmly when installing or removing battery cartridge. Failure to hold the tool and the battery cartridge firmly may cause them to slip off your hands and result in damage to the tool and battery cartridge and a personal injury.

► Fig.1: 1. Red indicator 2. Button 3. Battery cartridge

To remove the battery cartridge, slide it from the tool while sliding the button on the front of the cartridge.

To install the battery cartridge, align the tongue on the battery cartridge with the groove in the housing and slip it into place. Insert it all the way until it locks in place with a little click. If you can see the red indicator on the upper side of the button, it is not locked completely.

CAUTION: Always install the battery cartridge fully until the red indicator cannot be seen. If not, it may accidentally fall out of the tool, causing injury to you or someone around you.

CAUTION: Do not install the battery cartridge forcibly. If the cartridge does not slide in easily, it is not being inserted correctly.

Battery protection system

Lithium-ion battery with star marking

► Fig.2: 1. Star marking

Lithium-ion batteries with a star marking are equipped with a protection system. This system automatically cuts off power to the tool to extend battery life.

The tool will automatically stop during operation if the tool and/or battery are placed under one of the following conditions:

Overloaded:

The tool is operated in a manner that causes it to draw an abnormally high current.

In this situation, turn the tool off and stop the application that caused the tool to become overloaded. Then turn the tool on to restart.

If the tool does not start, the battery is overheated. In this situation, let the battery cool before turning the tool on again.

Low battery voltage:

The remaining battery capacity is too low and the tool will not operate. In this situation, remove and recharge the battery.

Indicating the remaining battery capacity

Only for battery cartridges with "B" at the end of the model number

► Fig.3: 1. Indicator lamps 2. Check button

Press the check button on the battery cartridge to indicate the remaining battery capacity. The indicator lamps light up for few seconds.

Indicator lamps			Remaining capacity
Lighted	Off	Blinking	
■ ■ ■ ■			75% to 100%
■ ■ ■ □			50% to 75%
■ ■ □ □			25% to 50%
■ □ □ □			0% to 25%
▣ □ □ □			Charge the battery.
■ ■ □ □			The battery may have malfunctioned.
□ □ ■ ■			

NOTE: Depending on the conditions of use and the ambient temperature, the indication may differ slightly from the actual capacity.

Switch action

► Fig.4: 1. Switch trigger

CAUTION: Before installing the battery cartridge into the tool, always check to see that the switch trigger actuates properly and returns to the "OFF" position when released.

To start the tool, simply pull the switch trigger. Tool speed is increased by increasing pressure on the switch trigger. Release the switch trigger to stop.

Lighting up the front lamp

► Fig.5: 1. Lamp

CAUTION: Do not look in the light or see the source of light directly.

Pull the switch trigger to light up the lamp. The lamp keeps on lighting while the switch trigger is being pulled. The lamp goes out 10 -15 seconds after releasing the trigger.

NOTE: Use a dry cloth to wipe the dirt off the lens of the lamp. Be careful not to scratch the lens of lamp, or it may lower the illumination.

Reversing switch action

► Fig.6: 1. Reversing switch lever

⚠ CAUTION: Always check the direction of rotation before operation.

⚠ CAUTION: Use the reversing switch only after the tool comes to a complete stop. Changing the direction of rotation before the tool stops may damage the tool.

⚠ CAUTION: When not operating the tool, always set the reversing switch lever to the neutral position.

This tool has a reversing switch to change the direction of rotation. Depress the reversing switch lever from the A side for clockwise rotation or from the B side for counterclockwise rotation.

When the reversing switch lever is in the neutral position, the switch trigger cannot be pulled.

Speed change

► Fig.7: 1. Speed change lever

⚠ CAUTION: Always set the speed change lever fully to the correct position. If you operate the tool with the speed change lever positioned halfway between the "1" side and "2" side, the tool may be damaged.

⚠ CAUTION: Do not use the speed change lever while the tool is running. The tool may be damaged.



Position of speed change lever	Speed	Torque	Applicable operation
1	Low	High	Heavy loading operation
2	High	Low	Light loading operation

To change the speed, switch off the tool first. Select the "2" side for high speed or "1" for low speed but high torque. Be sure that the speed change lever is set to the correct position before operation.

If the tool speed is coming down extremely during the operation with "2", slide the lever to the "1" and restart the operation.

Adjusting the fastening torque

► Fig.8: 1. Adjusting ring 2. Graduation 3. Arrow

The fastening torque can be adjusted in 22 steps by turning the adjusting ring. Align the graduations with the arrow on the tool body. You can get the minimum fastening torque at 1 and maximum torque at  marking. The clutch will slip at various torque levels when set at the number 1 to 21. The clutch does not work at the  marking.

Before actual operation, drive a trial screw into your material or a piece of duplicate material to determine which torque level is required for a particular application.

The following shows the rough guide of the relationship between the screw size and graduation.

Graduation		1	2	3	4	5	6	7	8	9	10	11	12	13	14	15	16	17	18	19	20	21
Machine screw		M4					M5					M6										
Wood screw	Soft wood (e.g. pine)	-					φ3.5 x 22					φ4.1 x 38										
	Hard wood (e.g. lauan)	-					φ3.5 x 22					φ4.1 x 38										

ASSEMBLY

⚠ CAUTION: Always be sure that the tool is switched off and the battery cartridge is removed before carrying out any work on the tool.

Installing or removing driver bit/drill bit

► Fig.9: 1. Sleeve 2. Close 3. Open

Turn the sleeve counterclockwise to open the chuck jaws. Place the driver bit/drill bit in the chuck as far as it will go. Turn the sleeve clockwise to tighten the chuck. To remove the driver bit/drill bit, turn the sleeve counterclockwise.

Installing hook

► Fig.10: 1. Groove 2. Hook 3. Screw

The hook is convenient for temporarily hanging the tool. This can be installed on either side of the tool. To install the hook, insert it into a groove in the tool housing on either side and then secure it with a screw. To remove, loosen the screw and then take it out.

Installing driver bit holder

Optional accessory

► Fig.11: 1. Driver bit holder 2. Driver bit

Fit the driver bit holder into the protrusion at the tool foot on either right or left side and secure it with a screw. When not using the driver bit, keep it in the driver bit holders. Driver bits 45 mm-long can be kept there.

OPERATION

CAUTION: Always insert the battery cartridge all the way until it locks in place. If you can see the red indicator on the upper side of the button, it is not locked completely. Insert it fully until the red indicator cannot be seen. If not, it may accidentally fall out of the tool, causing injury to you or someone around you.

CAUTION: When the speed comes down extremely, reduce the load or stop the tool to avoid the tool damage.

Hold the tool firmly with one hand on the grip and the other hand on the bottom of the battery cartridge to control the twisting action.

► Fig.12

Screwdriving operation


CAUTION: Adjust the adjusting ring to the proper torque level for your work.

CAUTION: Make sure that the driver bit is inserted straight in the screw head, or the screw and/or driver bit may be damaged.

Place the point of the driver bit in the screw head and apply pressure to the tool. Start the tool slowly and then increase the speed gradually. Release the switch trigger as soon as the clutch cuts in.

NOTE: When driving wood screw, pre-drill a pilot hole 2/3 the diameter of the screw. It makes driving easier and prevents splitting of the workpiece.

Drilling operation

First, turn the adjusting ring so that the pointer points to the  marking. Then proceed as follows.

Drilling in wood

When drilling in wood, the best results are obtained with wood drills equipped with a guide screw. The guide screw makes drilling easier by pulling the drill bit into the workpiece.

Drilling in metal

To prevent the drill bit from slipping when starting a hole, make an indentation with a center-punch and hammer at the point to be drilled. Place the point of the drill bit in the indentation and start drilling. Use a cutting lubricant when drilling metals. The exceptions are iron and brass which should be drilled dry.

CAUTION: Pressing excessively on the tool will not speed up the drilling. In fact, this excessive pressure will only serve to damage the tip of your drill bit, decrease the tool performance and shorten the service life of the tool.

CAUTION: Hold the tool firmly and exert care when the drill bit begins to break through the workpiece. There is a tremendous force exerted on the tool/drill bit at the time of hole break through.

CAUTION: A stuck drill bit can be removed simply by setting the reversing switch to reverse rotation in order to back out. However, the tool may back out abruptly if you do not hold it firmly.

CAUTION: Always secure small workpieces in a vise or similar hold-down device.

CAUTION: If the tool is operated continuously until the battery cartridge has discharged, allow the tool to rest for 15 minutes before proceeding with a fresh battery.

MAINTENANCE

CAUTION: Always be sure that the tool is switched off and the battery cartridge is removed before attempting to perform inspection or maintenance.

NOTICE: Never use gasoline, benzine, thinner, alcohol or the like. Discoloration, deformation or cracks may result.

Replacing carbon brushes

► Fig.13: 1. Limit mark

Check the carbon brushes regularly. Replace them when they wear down to the limit mark. Keep the carbon brushes clean and free to slip in the holders. Both carbon brushes should be replaced at the same time. Use only identical carbon brushes.

1. Use a screwdriver to remove two screws then remove the rear cover.

► Fig.14: 1. Rear cover 2. Screw

2. Raise the arm part of the spring and then place it in the recessed part of the housing with a slotted bit screwdriver of slender shaft or the like.

► Fig.15: 1. Recessed part 2. Spring 3. Arm

3. Use pliers to remove the carbon brush caps of the carbon brushes. Take out the worn carbon brushes, insert the new ones and replace the carbon brush caps in reverse.

► Fig.16: 1. Carbon brush cap

4. Make sure to place the lead wire in opposite side of the arm.

► Fig.17: 1. Lead wire 2. Carbon brush cap

5. Make sure that the carbon brush caps have fit into the holes in brush holders securely.

► Fig.18: 1. Hole 2. Carbon brush cap

6. Reinstall the rear cover and tighten two screws securely.
7. Insert the battery cartridge into the tool and break in brushes by running tool with no load for about 1 minute.
8. Check the tool while running and electric brake operation when releasing the switch trigger. If electric brake is not working well, ask Makita Authorized or Factory Service Centers for repair.

To maintain product SAFETY and RELIABILITY, repairs, any other maintenance or adjustment should be performed by Makita Authorized or Factory Service Centers, always using Makita replacement parts.

OPTIONAL ACCESSORIES

⚠ CAUTION: These accessories or attachments are recommended for use with your Makita tool specified in this manual. The use of any other accessories or attachments might present a risk of injury to persons. Only use accessory or attachment for its stated purpose.

If you need any assistance for more details regarding these accessories, ask your local Makita Service Center.

- Drill bits
- Driver bits
- Driver bit holder
- Hook
- Makita genuine battery and charger

NOTE: Some items in the list may be included in the tool package as standard accessories. They may differ from country to country.

DANE TECHNICZNE

Model:		DDF482
Zakresy wiercenia	Stal	13 mm
	Drewno	38 mm
Zakresy dokręcania	Wkręt do drewna	10 mm x 90 mm
	Wkręt maszynowy	M6
Prędkość bez obciążenia	Wysoka (2)	0–1 900 min ⁻¹
	Niska (1)	0–600 min ⁻¹
Długość całkowita		185 mm
Napięcie znamionowe		Prąd stały 18 V
Akumulator		BL1815N, BL1820, BL1820B BL1830, BL1840, BL1850, BL1830B, BL1840B, BL1850B, BL1860B
Ciężar netto		1,5 kg 1,7 kg

- W związku ze stale prowadzonym przez naszą firmę programem badawczo-rozwojowym niniejsze dane mogą ulec zmianom bez wcześniejszego powiadomienia.
- W innych krajach urządzenie może mieć odmienne parametry techniczne i może być wyposażone w inny akumulator.
- Masa urządzenia wraz z akumulatorem obliczona zgodnie z procedurą EPTA 01/2003

Przeznaczenie

Narzędzie jest przeznaczone do wiercenia w drewnie, metalu i tworzywach sztucznych oraz do wkręcania wkrętów we wspomniane materiały.

Hałas

Typowy równoważny poziom dźwięku A określony w oparciu o normę EN60745:

Poziom ciśnienia akustycznego (L_{PA}): 75 dB(A)

Niepewność (K): 3 dB(A)

Poziom hałasu podczas pracy może przekraczać 80 dB (A).

OSTRZEŻENIE: Nosić ochronniki słuchu.

Drgania

Całkowita wartość poziomu drgań (suma wektorów w 3 osiach) określona zgodnie z normą EN60745:

Tryb pracy: wiercenie w metalu

Emisja drgań (a_{h,D}): 2,5 m/s² lub mniej

Niepewność (K): 1,5 m/s²

WSKAZÓWKA: Deklarowana wartość wytwarzanych drgań została zmierzona zgodnie ze standardową metodą testową i można ją wykorzystać do porównywania narzędzi.

WSKAZÓWKA: Deklarowaną wartość wytwarzanych drgań można także wykorzystać we wstępnej ocenie narażenia.

OSTRZEŻENIE: Drgania wytwarzane podczas rzeczywistego użytkowania elektronarzędzia mogą się różnić od wartości deklarowanej, w zależności od sposobu jego użytkowania.

OSTRZEŻENIE: W oparciu o szacowane narażenie w rzeczywistych warunkach użytkowania należy określić środki bezpieczeństwa w celu ochrony operatora (uwzględniając wszystkie elementy cyklu działania, tj. czas, kiedy narzędzie jest wyłączone i kiedy pracuje na biegu jałowym, a także czas, kiedy jest włączone).

Deklaracja zgodności WE

Dotyczy tylko krajów europejskich

Firma Makita oświadcza, że poniższe urządzenie(-a):

Oznaczenie maszyny: Akum. wiertarko-wkrętarka

Model nr/typ: DDF482

Jest zgodne z wymogami określonymi w następujących dyrektywach europejskich: 2006/42/EC

Jest/są produkowane zgodnie z następującymi nor-

mami lub dokumentami normalizacyjnymi: EN60745

Dokumentacja techniczna zgodna w wymaganiach

dyrektywy 2006/42/EC jest dostępna w:

Makita, Jan-Baptist Vinkstraat 2, 3070, Belgia

30.3.2015



Yasushi Fukaya

Dyrektor

Makita, Jan-Baptist Vinkstraat 2, 3070, Belgia

Ogólne zasady bezpiecznej eksploatacji elektronarzędzi

⚠️ OSTRZEŻENIE: Przeczytać wszystkie ostrzeżenia bezpieczeństwa i wszystkie instrukcje. Niezastosowanie się do wspomnianych ostrzeżeń i instrukcji może doprowadzić do porażenia prądem elektrycznym, pożaru i/lub poważnych obrażeń ciała.

Wszystkie ostrzeżenia i instrukcje należy zachować do wykorzystania w przyszłości.

Pojęcie „elektronarzędzie”, występujące w wymienionych tu ostrzeżeniach, odnosi się do elektronarzędzia zasilanego z sieci elektrycznej (z przewodem zasilającym) lub do elektronarzędzia akumulatorowego (bez przewodu zasilającego).

Ostrzeżenia dotyczące bezpieczeństwa dla akumulatorowej wiertarko-wkrętarki

1. Używać narzędzia z uchwytami pomocniczymi, jeśli zostały dostarczone wraz z nim. Utrata kontroli może spowodować obrażenia ciała.
2. Trzymać elektronarzędzie za izolowane powierzchnie rękojeści podczas wykonywania prac, przy których wiertło może dotknąć niewidocznej instalacji elektrycznej. Zetknięcie wiertła z przewodem elektrycznym znajdującym się pod napięciem może spowodować, że odsłonięte elementy metalowe elektronarzędzia również znajdą się pod napięciem, grożąc porażeniem operatera prądem elektrycznym.
3. Trzymać elektronarzędzie za izolowane powierzchnie rękojeści podczas wykonywania prac, przy których wkręcany wkręt lub śruba mogą dotknąć niewidocznej instalacji elektrycznej. Zetknięcie wkrętu lub śruby z przewodem elektrycznym znajdującym się pod napięciem spowoduje, że odsłonięte elementy metalowe narzędzia również znajdą się pod napięciem, grożąc porażeniem operatora prądem elektrycznym.
4. Podczas pracy należy zadbać o dobre oparcie dla nóg. W przypadku pracy na pewnej wysokości upewnić się, że na dole nie przebywają żadne osoby.
5. Narzędzie należy trzymać mocno i pewnie.
6. Trzymać ręce z dala od części obrotowych.
7. Nie pozostawiać włączonego narzędzia. Narzędzie można uruchomić tylko, gdy jest trzymane w rękach.
8. Nie dotykać wiertła ani części obrabianej od razu po zakończeniu danej operacji; mogą one być bardzo gorące i spowodować oparzenie skóry.
9. Niektóre materiały zawierają substancje chemiczne, które mogą być toksyczne. Unikać wdychania pyłu i kontaktu ze skórą. Przestrzegać przepisów bezpieczeństwa podanych przez dostawcę materiałów.

ZACHOWAĆ NINIEJSZE INSTRUKCJE.

⚠️ OSTRZEŻENIE: NIE WOLNO pozwolić, aby wygoda lub rutyna (nabyta w wyniku wielokrotnego używania urządzenia) zastąpiły ścisłe przestrzeganie zasad bezpieczeństwa obsługi. **NIEWŁAŚCIWE UŻYTKOWANIE** narzędzia lub niestosowanie się do zasad bezpieczeństwa podanych w niniejszej instrukcji obsługi może prowadzić do poważnych obrażeń ciała.

Ważne zasady bezpieczeństwa dotyczące akumulatora

1. Przed użyciem akumulatora zapoznać się ze wszystkimi instrukcjami i znakami ostrzegawczymi na (1) ładowarce, (2) akumulatorze i (3) produkcie, w którym będzie używany akumulator.
2. Akumulatora nie wolno rozbiierać.
3. Jeśli czas działania uległ znacznemu skróceniu, należy natychmiast przerwać pracę. Może bowiem dojść do przegrzania, ewentualnych poparzeń, a nawet eksplozji.
4. W przypadku przedostania się elektrolitu do oczu, przemyć je czystą wodą i niezwłocznie uzyskać pomoc lekarską. Może on bowiem spowodować utratę wzroku.
5. Nie doprowadzać do zwarcia akumulatora:
 - (1) Nie dotykać styków materiałami przewodzącymi prąd.
 - (2) Unikać przechowywania akumulatora w pojemniku z metalowymi przedmiotami, takimi jak gwoździe, monety itp.
 - (3) Chronić akumulator przed deszczem lub wodą.Zwarcie prowadzi do przepływu prądu elektrycznego o dużym natężeniu i przegrzania akumulatora, co w konsekwencji może grozić poparzeniami a nawet awarią urządzenia.
6. Narzędzia i akumulatora nie wolno przechowywać w miejscach, w których temperatura osiąga bądź przekracza 50°C (122°F).
7. Akumulatorów nie wolno spalać, również tych poważnie uszkodzonych lub całkowicie zużytych. Akumulator może eksplodować w ogniu.
8. Chronić akumulator przed upadkiem i uderzeniami.
9. Nie wolno używać uszkodzonego akumulatora.
10. Stanowiące wyposażenie akumulatory litowo-jonowe podlegają przepisom dotyczącym produktów niebezpiecznych.
Na potrzeby transportu komercyjnego, np. świadczanego przez firmy trzecie czy spedycyjne, należy przestrzegać specjalnych wymagań w zakresie pakowania i oznaczania etykietami.
Przygotowanie produktu do wysyłki wymaga skonsultowania się ze specjalistą ds. materiałów niebezpiecznych. Należy także przestrzegać przepisów krajowych, które mogą być bardziej szczegółowe. Zakleić taśmą lub zaślepić otwarte styki akumulatora oraz zabezpieczyć go, aby nie mógł się prze-suwać w opakowaniu.
11. Postępować zgodnie z przepisami lokalnymi dotyczącymi usuwania akumulatorów.

ZACHOWAĆ NINIEJSZE INSTRUKCJE.

▲PRZESTROGA: Używać wyłącznie oryginalnych akumulatorów firmy Makita. Używanie nieoryginalnych akumulatorów firm innych niż Makita lub akumulatorów, które zostały zmodyfikowane, może spowodować wybuch akumulatora i pożar, obrażenia ciała oraz zniszczenie mienia. Stanowi to również naruszenie warunków gwarancji firmy Makita dotyczących narzędzia i ładowarki.

Wskazówki dotyczące zachowania maksymalnej trwałości akumulatora

1. Akumulator należy naładować zanim zostanie do końca rozładowany. Po zauważeniu spadku mocy narzędzia należy przerwać pracę i naładować akumulator.
2. Nie wolno ładować powtórnie w pełni naładowanego akumulatora. Przeładowanie akumulatora skraca jego trwałość.
3. Akumulator należy ładować w temperaturze pokojowej w przedziale 10–40°C (50–104°F). W przypadku gorącego akumulatora przed przystąpieniem do ładowania należy poczekać, aż ostygnie.
4. Akumulatory niklowo-wodorkowe należy naładować po okresie długiego nieużytkowania (dłuższego niż sześć miesięcy).

OPIS DZIAŁANIA

▲PRZESTROGA: Przed przystąpieniem do regulacji lub przeglądu narzędzia upewnić się, że jest ono wyłączone, a akumulator został wyjęty.

Wkładanie i wyjmowanie akumulatora

▲PRZESTROGA: Przed włożeniem lub wyjęciem akumulatora należy zawsze wyłączyć narzędzie.

▲PRZESTROGA: Podczas wkładania lub wyjmowania akumulatora należy mocno trzymać narzędzie i akumulator. W przeciwnym razie mogą się one wyslizgnąć z rąk, powodując uszkodzenie narzędzia lub akumulatora i obrażenia ciała.

► Rys.1: 1. Czerwony wskaźnik 2. Przycisk 3. Akumulator

Aby wyjąć akumulator, przesunąć przycisk znajdujący się w przedniej jego części i wysunąć akumulator.

Aby włożyć akumulator, wyrównaj występ na akumulatorze z rowkiem w obudowie i wsunąć go na swoje miejsce. Akumulator należy wsunąć do oporu, aż się zatrzaśnie na miejscu, co jest sygnalizowane delikatnym kliknięciem. Jeśli w górnej części przycisku jest widoczny czerwony wskaźnik, akumulator nie został całkowicie zatrzaśnięty.

▲PRZESTROGA: Akumulator należy włożyć do końca, tak aby czerwony wskaźnik nie był widoczny. W przeciwnym razie może przypadkowo wypaść z narzędzia, powodując obrażenia operatora lub osób postronnych.

▲PRZESTROGA: Nie wkładać akumulatora na siłę. Jeśli akumulator nie daje się swobodnie wsunąć, oznacza to, że został włożony nieprawidłowo.

Układ zabezpieczenia akumulatora

Akumulator litowo-jonowy oznaczony gwiazdką

► Rys.2: 1. Znak gwiazdki

Akumulatory litowo-jonowe ze znakiem gwiazdki są wyposażone w układ zabezpieczający. Układ ten automatycznie odcina zasilanie narzędzia w celu wydłużenia żywotności akumulatora.

Narzędzie zostanie automatycznie zatrzymane podczas pracy w następujących sytuacjach związanych z narzędziem/akumulatorem:

Przeciążenie:

Narzędzie pracuje w sposób, który powoduje pobór nadmiernie wysokiego prądu.

W takiej sytuacji należy wyłączyć narzędzie i zaprzestać wykonywania czynności powodującej przeciążenie narzędzia. Następnie należy włączyć narzędzie w celu jego ponownego uruchomienia.

Jeśli narzędzie nie uruchomi się, oznacza to, że akumulator jest przegrzany. W takiej sytuacji, przed ponownym uruchomieniem narzędzia należy odczekać, aż akumulator ostygnie.
















Niskie napięcie akumulatora:




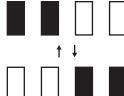
Poziom naładowania akumulatora jest zbyt niski, aby narzędzie mogło pracować. W takiej sytuacji należy wyjąć akumulator i go naładować.

Wskazanie stanu naładowania akumulatora

Tylko akumulatory oznaczone literą „B” na końcu model

► Rys.3: 1. Lampki wskaźnika 2. Przycisk kontrolny Nacisnąć przycisk kontrolny na akumulatorze w celu wyświetlenia stanu naładowania akumulatora. Lampki wskaźnika zaświecą się przez kilka sekund.

Lampki wskaźnika			Pozostała energia akumulatora
Świeci się	Wyłączony	Miga	
			75–100%
			50–75%
			25–50%
			0–25%
			Naładować akumulator.

Lampki wskaźnika			Pozostała energia akumulatora
 Świeci się	 Wyłączony	 Miga	
			Akumulator może nie działać poprawnie.

WSKAZÓWKA: Zależnie od warunków użytkowania i temperatury otoczenia, wskazywany poziom może nieznacznie się różnić od rzeczywistego stanu naładowania akumulatora.

Działanie przełącznika

► Rys.4: 1. Spust przełącznika

PRZESTROGA: Przed włożeniem akumulatora do narzędzia należy zawsze sprawdzić, czy spust przełącznika działa prawidłowo i czy powraca do położenia wyłączenia po jego zwolnieniu.

W celu uruchomienia narzędzia wystarczy pociągnąć spust przełącznika. Prędkość narzędzia zwiększa się wraz ze zwiększaniem nacisku na spust przełącznika. W celu zatrzymania urządzenia należy zwolnić spust przełącznika.

Włączanie lampki czołowej

► Rys.5: 1. Lampka

PRZESTROGA: Nie patrzeć na światło ani bezpośrednio na źródło światła.

W celu włączenia lampki należy pociągnąć za spust przełącznika. Lampka świeci, dopóki spust przełącznika jest naciskany. Lampka gaśnie po 10–15 s od zwolnienia spustu przełącznika.

WSKAZÓWKA: Aby usunąć zabrudzenia z klosza lampki, należy użyć suchej szmatki. Uważać, aby nie zarysować klosza lampki, gdyż może to zmniejszyć natężenie oświetlenia.

Działanie przełącznika zmiany kierunku obrotów

► Rys.6: 1. Dźwignia przełącznika zmiany kierunku obrotów

PRZESTROGA: Przed przystąpieniem do pracy należy zawsze sprawdzić ustawiony kierunek obrotów.

PRZESTROGA: Przełącznika zmiany kierunku obrotów można użyć tylko po całkowitym zatrzymaniu narzędzia. Zmiana kierunku obrotów przed zatrzymaniem się narzędzia grozi jego uszkodzeniem.

PRZESTROGA: Gdy narzędzie nie jest używane, należy zawsze ustawić dźwignię przełącznika zmiany kierunku obrotów w położeniu neutralnym.

Omawiane narzędzie jest wyposażone w przełącznik umożliwiający zmianę kierunku obrotów. W celu uzyskania obrotów w prawą stronę należy wcisnąć dźwignię przełącznika zmiany kierunku obrotów po stronie A, natomiast aby uzyskać obroty w lewą stronę, należy wcisnąć dźwignię przełącznika po stronie B. Gdy dźwignia przełącznika zmiany kierunku obrotów znajduje się w położeniu neutralnym, spust przełącznika jest zablokowany.

Zmiana prędkości

► Rys.7: 1. Dźwignia zmiany prędkości

PRZESTROGA: Dźwignię zmiany prędkości należy zawsze ustawiać dokładnie w wybranej pozycji. W przypadku uruchomienia narzędzia przy dźwigni zmiany prędkości ustawionej w połowie między pozycją „1” i „2” może dojść do uszkodzenia narzędzia.


PRZESTROGA: Nie wolno używać dźwigni zmiany prędkości, gdy narzędzie pracuje. Narzędzie może ulec uszkodzeniu.


Położenie dźwigni zmiany prędkości	Prędkość	Moment obrotowy	Odpowiedni tryb pracy
1	Niska	Wysoka	Praca przy dużym obciążeniu
2	Wysoki	Niski	Praca przy małym obciążeniu

W celu zmiany prędkości należy najpierw wyłączyć narzędzie. Wybrać położenie „2” w celu ustawienia wysokiej prędkości lub położenie „1” w celu ustawienia niskiej prędkości, ale dużego momentu. Przed rozpoczęciem pracy należy sprawdzić, czy dźwignia zmiany prędkości jest ustawiona we właściwym położeniu. Jeśli prędkość narzędzia drastycznie spadnie podczas pracy z dźwignią ustawioną w położeniu „2”, należy przesunąć dźwignię do położenia „1” i ponownie przystąpić do pracy.

Regulacja momentu dokręcenia

- **Rys.8:** 1. Pierścień regulacyjny 2. Podziałka
3. Strzałka

Moment dokręcenia można regulować w 22 stopniach, obracając pierścień regulacyjny. Wyrównać podziałkę ze strzałką znajdującą się na korpusie narzędzia. Położenie 1 odnosi się do minimalnego momentu dokręcenia, a symbol  do maksymalnego momentu dokręcenia.

Sprzęgło będzie ślizgać się przy różnych wartościach momentu dla ustawień od 1 do 21. Natomiast dla ustawienia  sprzęgło nie będzie działać.

Przed przystąpieniem do pracy należy przeprowadzić próbę wkręcania w dany element lub inny element z tego samego materiału, aby ustalić poziom momentu dokręcenia wymagany w danym zastosowaniu.

Poniższa tabela przedstawia ogólną zależność pomiędzy rozmiarem wkrętu a podziałką.

Podziałka		1	2	3	4	5	6	7	8	9	10	11	12	13	14	15	16	17	18	19	20	21
Wkręt maszynowy		M4					M5										M6					
Wkręt do drewna	Miękkie drewno (np. sosna)	-					φ3,5 x 22					φ4,1 x 38					-					
	Twarde drewno (np. mahoń)	-					φ3,5 x 22					φ4,1 x 38					-					

MONTAŻ

▲ PRZESTROGA: Przed przystąpieniem do prac konserwacyjnych przy narzędziu upewnij się, że jest ono wyłączone, a akumulator został wyjęty.

Wkładanie i wyjmowanie końcówki wkrętakowej/wiertła

- **Rys.9:** 1. Tuleja 2. Zamykanie 3. Otwieranie

Aby otworzyć szczękę uchwytu, obrócić tuleję w lewą stronę. Umieścić jak najgłębiej końcówkę wkrętakową/wiertło w uchwycie. Obrócić tuleję w prawą stronę, aby zacisnąć uchwyt. W celu wyjęcia końcówki wkrętakowej/wiertła obrócić tuleję w lewą stronę.

Zamontowanie zaczepu

- **Rys.10:** 1. Rowek 2. Zaczep 3. Wkręt

Zaczep służy do wygodnego, tymczasowego zawieszania narzędzia. Można go zamontować z jednej lub z drugiej strony narzędzia. Aby zamontować zaczep, należy wsunąć go w rowek w obudowie narzędzia znajdujący się z obu stron, a następnie przykręcić go wkrętem. Aby wymontować zaczep, należy odkręcić wkręt i wyjąć zaczep.

Zamontowywanie uchwytu końcówki wkrętakowej

Aksesoria opcjonalne

- **Rys.11:** 1. Uchwyt na końcówki wkrętakowe
2. Końcówka wkrętakowa

Włożyć uchwyt na końcówki wkrętakowe do występu w stopie narzędzia z prawej bądź z lewej strony i przymocować go wkrętem.

Nie używane końcówki wkrętakowe należy trzymać w uchwycie. W uchwycie można trzymać końcówki o długości 45 mm.

OBSŁUGA

▲ PRZESTROGA: Akumulator należy wsunąć do oporu, aż wskoczy na swoje miejsce. Jeśli jest widoczny czerwony wskaźnik w górnej części przycisku, akumulator nie został całkowicie zatrzaśnięty. Należy go wsunąć do oporu, aż czerwony wskaźnik przestanie być widoczny. W przeciwnym razie może on przypadkowo wypaść z narzędzia, powodując obrażenia operatora lub osób postronnych.

▲ PRZESTROGA: W przypadku drastycznego spadku prędkości należy zredukować obciążenie lub wyłączyć narzędzie, aby nie dopuścić do jego uszkodzenia.

Narzędzie należy trzymać jedną ręką za uchwyt, a drugą za spód akumulatora, aby kontrolować jego przekręcanie.

- **Rys.12**

Wkręcanie


▲ PRZESTROGA: Ustawić pierścień regulacyjny w pozycji odpowiadającej właściwemu dla danej operacji momentowi dokręcenia.

▲ PRZESTROGA: Końcówka wkrętakowa powinna być wprowadzona do lba wkrętu w linii prostej z wkrętem, w przeciwnym razie wkręt i/lub końcówka mogą ulec uszkodzeniu.

Wsunąć czubek końcówki wkrętakowej do gniazda we łbie wkrętu i docisnąć narzędzie. Uruchomić narzędzie powoli, a następnie stopniowo zwiększać prędkość. Zwolnić spust przełącznika, gdy tylko zadziała sprzęgło.

WSKAZÓWKI: W przypadku wkręcania wkrętu do drewna należy wstępnie nawiercić otwór prowadzący o średnicy 2/3 średnicy wkrętu. Ułatwi to wkręcanie i zapobiegnie rozłupywaniu się elementu obrabianego.

Wiercenie

Najpierw obrócić pierścień regulacyjny tak, aby strzałka wskazywała symbol . Następnie postępować zgodnie z poniższym opisem.

Wiercenie w drewnie

W przypadku wiercenia w drewnie najlepsze rezultaty uzyskuje się, stosując wiertła zakończone wkrętem prowadzącym. Wkręt prowadzący ułatwia wiercenie, ponieważ wciąga wiertło w element obrabiany.

Wiercenie w metalu

Aby uniknąć ześlizgiwania się wiertła na początku operacji, należy za pomocą punktaka i młotka wykonać wgłębienie w miejscu, w którym ma być wykonany otwór. Umieścić końcówkę wiertła we wgłębieniu i rozpocząć wiercenie.

Podczas wiercenia w metalu należy stosować odpowiednie chłodziwo. Wyjątki stanowią żelazo i mosiądz, które należy wiercić na sucho.

▲PRZESTROGA: Wywieranie nadmiernego nacisku na narzędzie nie przyspiesza wiercenia. W praktyce, wywieranie nadmiernego nacisku przyczynia się jedynie do uszkodzenia końcówki wiertła, zmniejszenia wydajności i skrócenia okresu eksploatacyjnego narzędzia.

▲PRZESTROGA: Gdy wiertło zaczyna przebijać na wylot otwór w obrabianym elemencie, należy zachować ostrożność i mocno trzymać narzędzie. W momencie przebijania otworu na narzędzie/wiertło wywierana jest olbrzymia siła.

▲PRZESTROGA: Zakleszczone wiertło można łatwo wyjąć, zmieniając kierunek obrotów i wyciągając wiertło. Należy jednak pamiętać, że narzędzie może się gwałtownie cofnąć, jeśli nie będzie mocno trzymane.

▲PRZESTROGA: Niewielkie elementy obrabiane należy zawsze zamocować w imadle lub podobnym przyrządzie.

▲PRZESTROGA: Jeżeli narzędzie jest używane bez przerwy aż do rozładowania akumulatora, należy je odstawić na 15 minut przed podjęciem pracy na nowo z użyciem innego naładowanego akumulatora.

KONSERWACJA

▲PRZESTROGA: Przed przystąpieniem do przeglądu narzędzia lub jego konserwacji upewnij się, że jest ono wyłączone, a akumulator wyjęty.

UWAGA: Nie stosować benzyny, rozpuszczalników, alkoholu itp. środków. Mogą one powodować odbarwienia, odkształcenia lub pęknięcia.

Wymiana szczotek węglowych

► **Rys.13:** 1. Oznaczenie limitu

Systematycznie sprawdzać szczotki węglowe. Wymieniać je, gdy ich zużycie sięga oznaczenia limitu. Szczotki węglowe powinny być czyste, aby można je było swobodnie wsunąć do opraw. Należy wymieniać obydwie szczotki jednocześnie. Stosować wyłącznie identyczne szczotki węglowe.

1. Za pomocą śrubokręta wykręć dwa wkręty, a następnie zdejmij tylną osłonę.

► **Rys.14:** 1. Tylna osłona 2. Wkręt

2. Za pomocą cienkiego śrubokręta płaskiego lub podobnego narzędzia podnieś ramię sprężyny, a następnie wsuń je w gniazdo w obudowie.

► **Rys.15:** 1. Gniazdo 2. Sprężyna 3. Ramię

3. Za pomocą szczypic wyjmij nasadki szczotek węglowych. Wyjmij zużyte szczotki węglowe, włóż nowe i z powrotem załóż nasadki szczotek, wykonując czynności w odwrotnej kolejności.

► **Rys.16:** 1. Nasadka szczotki węglowej

4. Upewnij się, że przewód biegnie po przeciwnej stronie ramienia.

► **Rys.17:** 1. Przewód 2. Nasadka szczotki węglowej

5. Upewnij się, że nasadki szczotek węglowych dobrze tkwią w otworach uchwytów szczotek.

► **Rys.18:** 1. Otwór 2. Nasadka szczotki węglowej

6. Załóż z powrotem tylną osłonę, a następnie dobrze dokręć oba wkręty.

7. Po zakończeniu wymiany szczotek włóż akumulator do narzędzia i włącz je na około 1 min bez obciążenia, aby dotrzeć szczotki.

8. Następnie sprawdź działanie narzędzia podczas pracy. Sprawdź także skuteczność hamulca elektrycznego po zwolnieniu spustu przełącznika. Jeśli hamulec elektryczny nie działa prawidłowo, zleć naprawę urządzenia autoryzowanemu lub fabrycznemu punktowi serwisowemu narzędzi Makita.

W celu zachowania odpowiedniego poziomu BEZPIECZENSTWA i NIEZAWODNOŚCI produktu wszelkie naprawy i różnego rodzaju prace konserwacyjne lub regulacje powinny być przeprowadzane przez autoryzowany lub fabryczny punkt serwisowy narzędzi Makita, zawsze z użyciem oryginalnych części zamiennych Makita.

AKCESORIA OPCJONALNE

⚠ PRZESTROGA: Zaleca się stosowanie wymienionych akcesoriów i przystawek razem z narzędziem Makita opisanym w niniejszej instrukcji.

Stosowanie innych akcesoriów lub przystawek może być przyczyną obrażeń ciała. Akcesoria lub przystawki należy wykorzystywać tylko zgodnie z ich przeznaczeniem.

W razie potrzeby wszelkiej pomocy i szczegółowych informacji na temat niniejszych akcesoriów udziela Państwu lokalne punkty serwisowe Makita.

- Wiertła
- Końcówki wkrętakowe
- Uchwyt na końcówki wkrętakowe
- Zaczep
- Oryginalny akumulator i ładowarka firmy Makita

WSKAZÓWKA: Niektóre pozycje znajdujące się na liście mogą być dołączone do pakietu narzędziowego jako akcesoria standardowe. Mogą to być różne pozycje, w zależności od kraju.

RÉSZLETES LEÍRÁS

Típus:		DDF482	
Fúrási teljesítmény	Acél	13 mm	
	Fa	38 mm	
Meghúzási teljesítmény	Facsarvar	10 mm x 90 mm	
	Gépcsavar	M6	
Üresjárat fordulatszám	Magas (2)	0 - 1 900 min ⁻¹	
	Alacsony (1)	0 - 600 min ⁻¹	
Teljes hossz		185 mm	
Névleges feszültség		18 V, egyenáram	
Akkumulátor		BL1815N, BL1820, BL1820B	BL1830, BL1840, BL1850, BL1830B, BL1840B, BL1850B, BL1860B
Tiszta tömeg		1,5 kg	1,7 kg

- Folyamatos kutató- és fejlesztőprogramunk eredményeként az itt felsorolt tulajdonságok figyelmeztetés nélkül megváltozhatnak.
- A műszaki adatok és az akkumulátor országoként változhatnak.
- Súly az akkumulátorral, a 01/2003 EPTA eljárás szerint meghatározva

Rendeltetés

A szerszám fúrásra és csavarbehajtásra használható, fába, fémekbe és műanyagokba.

Zaj

A tipikus A-súlyozású zajszint, az EN60745 szerint meghatározva:

Hangnyomásszint (L_{pA}): 75 dB(A)

Bizonytalanság (K): 3 dB(A)

A zajszint a munkavégzés során meghaladhatja a 80 dB (A) értéket.

▲ FIGYELMEZTETÉS: Viseljen fülvédőt!

Vibráció

A vibráció teljes értéke (háromtengelyű vektorösszeg) az EN60745 szerint meghatározva:

Üzem mód: fúrás fémbe

Rezgéskibocsátás ($a_{n,D}$): 2,5 m/s² vagy kisebb

Bizonytalanság (K): 1,5 m/s²

MEGJEGYZÉS: A rezgéskibocsátás értéke a szabványos vizsgálati eljárásnak megfelelően lett mérve, és segítségével az elektromos kéziszerszámok összehasonlíthatók egymással.

MEGJEGYZÉS: A rezgéskibocsátás értékének segítségével előzetesen megbecsülhető a rezgésnek való kitettség mértéke.

▲ FIGYELMEZTETÉS: A szerszám rezgéskibocsátása egy adott alkalmazásnál eltérhet a megadott értéktől a használat módjától függően.

▲ FIGYELMEZTETÉS: Határozza meg a kezelő védelmét szolgáló munkavédelmi lépéseket, melyek az adott munkafeltételek melletti vibrációs hatás becsült mértékén alapulnak (figyelembe véve a munkaciklus elemeit, mint például a gép leállításának és üresjáratának mennyiségét az elindítások száma mellett).

EK Megfelelőségi nyilatkozat

Csak európai országokra vonatkozóan

A Makita kijelenti, hogy az alábbi gép(ek):

Gép megnevezése: Akkumulátoros fűrő-csavarbehajtó

Típus sz./Típus: DDF482

Megfelel a következő Európai irányelveknek:

2006/42/EC

Gyártása a következő szabványoknak, valamint szabványosított dokumentumoknak megfelelően történik: EN60745

A műszaki leírás a 2006/42/EC előírásainak megfelelően elérhető innen:

Makita, Jan-Baptist Vinkstraat 2, 3070, Belgium
30.3.2015



Yasushi Fukaya

Igazgató

Makita, Jan-Baptist Vinkstraat 2, 3070, Belgium

A szerszámgépekre vonatkozó általános biztonsági figyelmeztetések

▲ FIGYELMEZTETÉS: Olvassa el az összes biztonsági figyelmeztetést és utasítást. Ha nem tartja be a figyelmeztetéseket és utasításokat, akkor áramütés, tűz és/vagy súlyos sérülés következhet be.

Őrizzen meg minden figyelmeztetést és utasítást a későbbi tájékozódás érdekében.

A figyelmeztetéseken szereplő "szerszámgép" kifejezés az Ön hálózatról (vezetékes) vagy akkumulátorról (vezeték nélküli) működtetett szerszámgépére vonatkozik.

Biztonsági figyelmeztetések akkumulátoros fúró-csavarbehajtóhoz

1. **Használja a szerszámhoz mellékelt kisegítő fogantyúkat.** Az irányítás elvesztése személyi sérülést okozhat.
2. **A szerszámgépet a szigetelt markolófelületénél fogja, ha olyan műveletet végez, amikor a vágóeszköz rejtett vezetékkel érintkezhet.** Áram alatt lévő vezetékekkel való érintkezéskor a szerszám fém alkatrészei is áram alá kerülhetnek, és megrázhathják a kezelőt.
3. **Tartsa az elektromos szerszámot a szigetelt markolófelületénél fogva amikor olyan műveletet végez, amelyben fennáll a veszélye, hogy a rögzítő rejtett vezetékbe ütközhet.** A rögzítők áram alatt lévő vezetékekkel való érintkezések a szerszám fém alkatrészei is áram alá kerülnek, és megrázhathják a kezelőt.
4. **Mindig stabil helyzetben dolgozzon. A szerszám magasban történő használatkor győződjön meg arról, hogy nem tartózkodik-e valaki odalent.**
5. **Biztosan tartsa a szerszámot.**
6. **Ne nyúljon a forgó részekhez.**
7. **Ne hagyja a működő szerszámot felügyelet nélkül. Csak kézzel tartva használja a szerszámot.**
8. **Ne érintse meg a fúróhegyet vagy a munkadarabot közvetlenül a művelet befejezése után; rendkívül forrók lehetnek és megégethetik.**
9. **Egyes anyagok mérgező vegyületet tartalmazhatnak. Gondoskodjon a por belélegzése elleni és érintés elleni védelemről. Tartsa be az anyag szállítójának biztonsági utasításait.**

ŐRIZZE MEG EZEKET AZ UTASÍTÁSOKAT.

▲ FIGYELMEZTETÉS: NE HAGYJA, hogy (a termék többszöri használatából eredő) kényelem és megszokás váltsa fel a termék biztonsági előírásainak szigorú betartását. A **HELYTELEN HASZNÁLAT** és a használati útmutatóban szereplő biztonsági előírások megszegése súlyos személyi sérülésekhez vezethet.

Fontos biztonsági utasítások az akkumulátorra vonatkozóan

1. **Az akkumulátor használata előtt tanulmányozza át az akkumulátortöltőt (1), az akkumulátoron (2) és az akkumulátorral működtetett terméken (3) olvasható összes utasítást és figyelmeztető jelzést.**
2. **Ne szerelje szét az akkumulátort.**
3. **Ha a működési idő nagyon lerövidült, azonnal hagyja abba a használatot. Ez a túlmelegedés, esetleges égések és akár robbanás veszélyével is járhat.**
4. **Ha elektrólit kerül a szemébe, mossa ki azt tiszta vízzel és azonnal kérjen orvosi segítséget. Ez a látásának elvesztését okozhatja.**
5. **Ne zárja rövidre az akkumulátort:**
 - (1) **Ne érjen az érintkezőkhöz elektromosan vezető anyagokkal.**
 - (2) **Ne tárolja az akkumulátort más fémtárgyakkal, mint pl. szegekkel, érmekkel, stb. egy helyen.**
 - (3) **Ne tegye ki az akkumulátort víznek vagy esőnek.****Az akkumulátor rövidzárlata nagy áramerősséget, túlmelegedést, égéseket, sőt akár meghibásodást is okozhat.**
6. **Ne tárolja a szerszámot vagy az akkumulátort olyan helyen, ahol a hőmérséklet elérheti vagy meghaladhatja az 50 °C-ot (122 °F).**
7. **Ne égesse el az akkumulátort még akkor sem, ha az komolyan megsérült vagy teljesen elhasználódott. Az akkumulátor a tűzben felrobbanhat.**
8. **Vigyázzon, nehogy leejtse vagy megüsse az akkumulátort.**
9. **Ne használjon sérült akkumulátort.**
10. **A készülékben található lítium-ion akkumulátorokra a veszélyes árukkal kapcsolatos előírások vonatkoznak.**

A termék pl. harmadik felek, fuvarozó cégek stb. által történő szállítása esetén minden esetben tartsa szem előtt a csomagoláson és a címkén található speciális követelményeket.

A termék szállításra történő felkészítése esetén vegye fel a kapcsolatot egy veszélyes anyagokkal foglalkozó szakemberrel. Kérjük, hogy az esetlegesen szigorúbb nemzeti előírásokat is vegye figyelembe.

Ragassza le a kiálló érintkezőket, illetve oly módon csomagolja be az akkumulátort, hogy az ne tudjon elmozdulni a csomagolásban.
11. **Az akkumulátor ártalmatlanításakor tartsa be a helyi előírásokat.**

ŐRIZZE MEG EZEKET AZ UTASÍTÁSOKAT.

VIGYÁZAT: Csak eredeti Makita akkumulátorokat használjon. A nem eredeti Makita akkumulátorok vagy módosított akkumulátorok használata esetén az akkumulátor felrobbanhat, ami tüzet, személyi sérülést és anyagi kárt okozhat. A Makita szerszámra és töltőre vonatkozó Makita garanciát is érvénytelenítheti.

Tippek az akkumulátor maximális élettartamának eléréséhez

1. Töltse fel az akkumulátort, mielőtt teljesen lemerülne. Állítsa le a gépet, és töltse fel az akkumulátort, ha a gép erejének csökkenését észleli.
2. Soha ne töltse újra a teljesen feltöltött akkumulátort. A túltöltés csökkenti az akkumulátor élettartamát.
3. Töltse az akkumulátort szobahőmérsékleten, 10 °C - 40 °C (50 °F - 104 °F) között. Töltés előtt hagyja lehűlni a fölforrósodott akkumulátort.
4. Töltse fel az akkumulátort, ha hosszabb ideje (több mint hat hónapja) nem használta azt.

A MŰKÖDÉS LEÍRÁSA

VIGYÁZAT: Minden esetben ellenőrizze, hogy a szerszám ki van kapcsolva és az akkumulátor eltávolításra került mielőtt beállít vagy ellenőriz valamilyen funkciót a szerszámon.

Az akkumulátor behelyezése és eltávolítása

VIGYÁZAT: Mindig kapcsolja ki az eszközt, mielőtt behelyezi vagy eltávolítja az akkumulátort.

VIGYÁZAT: Az akkumulátor behelyezésekor vagy eltávolításakor erősen fogja meg a szerszámot és az akkumulátort. Ha nem fogja erősen a szerszámot és az akkumulátort, azok kicsúszhatnak a kezei közül, ami a szerszám és az akkumulátor károsodásához, de akár személyi sérüléshez is vezethet.

► **Ábra1:** 1. Piros jel 2. Gomb 3. Akkumulátor

Az akkumulátoregység kivételéhez nyomja be az akkumulátoregység elején található gombot, és húzza le a gépről.

Az akkumulátor beszereléséhez illessze az akkumulátor nyelvét a burkolaton található vágatba és csúsztassa a helyére. Egészen addig tolja be, amíg az akkumulátor egy kis kattanással a helyére nem ugrik. Ha látható a piros jel a gomb felső oldalán, akkor a gomb nem kattant be teljesen.

VIGYÁZAT: Mindig tolja be teljesen az akkumulátort, amíg a piros jel el nem tűnik. Ha ez nem történik meg, akkor az akkumulátor kieshet a szerszámból, és Önnek vagy a környezetében másnak sérülést okozhat.

VIGYÁZAT: Ne erőltesse az akkumulátort behelyezésre. Ha az akkumulátor nem csúszik be könnyedén, akkor nem megfelelően lett behelyezve.

Akkumulátorvédő rendszer

Csillag jelzéssel ellátott lítiumion akkumulátorok

► **Ábra2:** 1. Csillag jelzés

A csillag jelzéssel ellátott lítiumion akkumulátorokat akkumulátorvédő rendszerrel szerelik fel. Ez a rendszer automatikusan kikapcsolja a szerszám áramellátását, így megnöveli az akkumulátor élettartamát.

A szerszám használat közben automatikusan leáll, ha a szerszám és/vagy az akkumulátor a következő helyzetbe kerül:

Túlterhelés:

A szerszámot úgy működteti, hogy áramfelvétele rendellenesen magas.

Ilyenkor kapcsolja ki a gépet, és állítsa le azt az alkalmazást, amelyik a túlterhelést okozza. Újraindításhoz kapcsolja be a gépet.

Ha a szerszám nem indul el, az akkumulátor túlmelegedett. Ilyenkor hagyja kihűlni az akkumulátort, mielőtt ismét bekapcsolná a gépet.

Az akkumulátor feszültsége alacsony:

Az akkumulátor fennmaradó kapacitása túl alacsony, a szerszámot nem tudja működtetni. Ilyenkor vegye le és töltse fel az akkumulátort.

Az akkumulátor töltöttségének jelzése

Csak olyan akkumulátorokhoz, amelyeknek a típusjelzésében „B” az utolsó betű

► **Ábra3:** 1. Jelzőlámpák 2. Check (ellenőrzés) gomb

Nyomja meg az ellenőrzőgombot, hogy az akkumulátortöltöttség-jelző megmutassa a hátralévő akkumulátor-kapacitást. Ekkor a töltöttség-szint-jelző lámpák néhány másodpercre kigyulladnak.

Jelzőlámpák			Töltöttségi szint
Világító lámpa	KI	Villogó lámpa	
■	□	▬	75%-tól 100%-ig
■ ■ ■ ■	□	□	50%-tól 75%-ig
■ ■	□ □	□ □	25%-tól 50%-ig
■	□ □ □ □	□ □ □ □	0%-tól 25%-ig
▬	□ □ □ □	□ □ □ □	Töltse fel az akkumulátort.
■ ■ □ □	□ □	□ □	Lehetséges, hogy az akkumulátor meghibásodott.
□ □ ■ ■	□ □	□ □	

MEGJEGYZÉS: Az adott munkafeltételektől és a környezeti hőmérsékletétől függően a jelzett töltöttségi szint némileg eltérhet a tényleges töltöttségi szinttől.

A kapcsoló használata

► **Ábra4:** 1. Kapcsológomb

VIGYÁZAT: Mielőtt behelyezi az akkumulátort a szerszámba, mindig ellenőrizze, hogy a kapcsológomb hibátlanul működik és felengedéskor „OFF” állásba áll-e.

A szerszám bekapcsolásához egyszerűen húzza meg a kapcsológombot. Ha erősebben nyomja a kapcsolót, a szerszám fordulatszáma növekszik. A megállításához engedje el a kapcsolót.

Az első lámpa bekapcsolása

► **Ábra5:** 1. Lámpa

VIGYÁZAT: Ne tekintsen a fénybe vagy ne nézze egyenesen a fényforrást.

Húzza meg a kapcsológombot a lámpa bekapcsolásához. A lámpa addig világít, amíg a kapcsológomb meg van húzva. A lámpa a kapcsológomb elengedése után 10–15 másodperccel alszik ki.

MEGJEGYZÉS: Száraz ruhadarabbal törölje le a szennyeződést a lámpa lencséjéről. Ügyeljen arra hogy ne karcolja meg a lámpa lencséjét, ez csökkentheti a megvilágítás erősségét.

Forgásirányváltó kapcsolókar működése

► **Ábra6:** 1. Forgásirányváltó kapcsolókar

VIGYÁZAT: Használat előtt mindig ellenőrizze a beállított forgásirányt.

VIGYÁZAT: A forgásirányváltó kapcsolókat csak azután használja, hogy a szerszám teljesen megállt. A forgásirány megváltoztatása a szerszám leállása előtt a gép károsodását okozhatja.

VIGYÁZAT: Amikor nem működteteti a szerszámot, a forgásirányváltó kapcsolókat mindig állítsa a semleges állásba.

Ez a szerszám forgásirányváltó kapcsolókkal van felszerelve a forgásirány megváltoztatásához. Váltás át a forgásirányváltó kapcsolókat az A oldalról az óramutató járásával megegyező vagy a B oldalról az azzal ellentétes irányú forgáshoz.

Amikor az irányváltó kapcsolókar semleges pozícióban van, akkor a kapcsológombot nem lehet behúzni.

Sebességváltás

► **Ábra7:** 1. Sebességváltó kar

VIGYÁZAT: A sebességváltó kart teljesen a megfelelő helyzetbe állítsa. Ha a szerszámot úgy működteteti, hogy a sebességváltó kar félúton áll az „1” oldal és a „2” oldal között, az a szerszám károsodását okozhatja.

VIGYÁZAT: Ne használja a sebességváltó kart a szerszám működése közben. A szerszám károsodhat.


A sebesség-állító váltókar	Fordulatszám	Nyomaték	Alkalmazható művelet
1	Alacsony	Magas	Nagy terhelésű művelet
2	Magas	Alacsony	Kis terhelésű művelet


A fordulatszám módosításához először kapcsolja ki a szerszámot. Válassza a „2”-es oldalt magas fordulatszámhoz, vagy az „1”-es oldalt alacsony fordulatszámhoz, de nagy nyomatékhoz. A használat megkezdése előtt ellenőrizze, hogy a sebességváltó kar a megfelelő állásban legyen.

Ha a szerszám fordulatszáma nagyon lecsökken a „2”-es állásban, csúsztassa a kart az „1”-es állásba, és kezdje újra a műveletet.

A meghúzási nyomaték beállítása

► **Ábra8:** 1. Beállítógyűrű 2. Beosztás 3. Nyíl

A meghúzási nyomaték a beállítógyűrű elforgatásával 22 lépésben módosítható. Igazítsa a fokozatokat a számon lévő nyílhoz. A legkisebb meghúzási nyomatékot az 1-es, a legnagyobbbb meghúzási nyomatékot pedig a  jelölésnél érheti el.

A tengelykapcsoló megcsúszik a különböző nyomaték szinteknél, amikor az 1 és 21 közötti értékre van állítva. A tengelykapcsoló nem működik a  jelölésnél.

A tényleges művelet előtt a szükséges nyomaték meghatározásához próbaképpen hajtson be egy csavart a munkadarabra vagy egy darab ugyanolyan anyagba.

Az alábbi ábrán a csavarméret és a fokozatok közötti kapcsolat hozzávetőleges útmutatója látható.

Beosztás		1	2	3	4	5	6	7	8	9	10	11	12	13	14	15	16	17	18	19	20	21
Gépcsavar		M4					M5										M6					
Facsavar	Puhafa (pl. fenyő)	-					$\phi 3,5 \times 22$					$\phi 4,1 \times 38$					-					
	Keményfa (pl. lauan)	-					$\phi 3,5 \times 22$					$\phi 4,1 \times 38$					-					

ÖSSZESZERELÉS

▲ VIGYÁZAT: Minden esetben ellenőrizze, hogy a szerszám ki van kapcsolva és az akkumulátort levette, mielőtt bármilyen műveletet végez a számon.

Behajtócsúcs vagy fúróhegy behelyezése és kivétele

► **Ábra9:** 1. Hüvely 2. Zárás 3. Nyitás

Forgassa a hüvelyt az óramutató járásával ellentétes irányba a tokmánpofák szétnyitásához. Helyezze a behajtócsúcsot vagy fúróhegyet a tokmánya olyan mélyre amennyire lehetséges. Forgassa a hüvelyt az óramutató járásának irányába a tokmány meghúzásához. A behajtócsúcs vagy fúróhegy kivételéhez forgassa a hüvelyt az óramutató járásával ellentétes irányba.

Akasztó felszerelése

► **Ábra10:** 1. Horony 2. Akasztó 3. Csavar

Az akasztó a szerszám ideiglenes felakasztására használható. A szerszám mindkét oldalára felszerelhető. Az akasztó felszereléséhez helyezze azt a szerszám burkolatán található horonyba valamelyik oldalon, majd rögzítse egy csavarral. A leszereléshez csavarja ki a csavart és vegye le az akasztót.

A behajtócsúcs-tartó felszerelése

Opcionális kiegészítők

► **Ábra11:** 1. Behajtócsúcs-tartó 2. Behajtócsúcs

Illessze a behajtócsúcs-tartót a szerszám alsó részén található kiemelkedésre a jobb vagy a bal oldalon és rögzítse egy csavarral.

Amikor nem használja a behajtócsúcsokat, tartsa azokat a behajtócsúcs-tartókban. Itt 45 mm hosszú behajtócsúcsok tarthatók.

MŰKÖDTETÉS

▲ VIGYÁZAT: Mindig egészen addig tolja be az akkumulátort, amíg egy kis kattánással a helyén rögzíti. Ha látható a piros jel a gomb felső oldalán, akkor nem kattant be teljesen. Nyomja be az akkumulátort teljesen, amíg a piros rész el nem tűnik. Ha ez nem történik meg, akkor az akkumulátor kieshet a szerszámból, és Önnek vagy a környezetében másnak sérülést okozhat.

▲ VIGYÁZAT: Amikor a fordulatszám nagyon lecsökken, csökkentse a terhelést, vagy állítsa le a szerszámot, hogy elkerülje annak sérülését.

Erősen fogja a szerszámot egyik kezével a fogantyújánál, a másikkal pedig az akkumulátor alsó részénél, nehogy kicsavarodjon.

► **Ábra12**

Csavarbehajtás


▲ VIGYÁZAT: Állítsa be a beállítógyűrű segítségével a munkához megfelelő meghúzási nyomatékot.

▲ VIGYÁZAT: Ellenőrizze, hogy a behajtócsúcsot egyenesen helyezte be a tokmánya, mert ellenkező esetben a csavar és/vagy a behajtócsúcs károsodhat.

Helyezze a behajtócsúcs hegyét a csavar fejébe és fejtessen ki nyomást a szerszámmra. Indítsa el alacsony fordulatszámra a szerszámot, majd fokozatosan növelje a fordulatszámot. Engedje fel a kapcsológombot amint a tengelykapcsoló szétkapcsol.

MEGJEGYZÉS: Facsavar behajtásánál fúrjon vezetőfuratot, amelynek átmérője a csavar átmérőjének 2/3-a. Ez megkönnyíti a behajtást, és megelőzi a munkadarab repedését.

Fúrási művelet

Először fordítsa el a beállítógyűrűt, hogy a jelzés a  jelölésre mutasson. Ezután járjon el a következő módon:

Fúrás fába

Fa fúrásakor a legjobb eredményt akkor kapja, ha vezetőcsavarral felszerelt fafúrókat használ. A vezetőcsavar könnyebbé teszi a fúrást mert bevezeti a fúróhegyet a munkadarabba.

Fúrás fémbe

Annak megelőzésére, hogy a fúróhegy kicsússzon a furat megkezdésekor, jelölje be a fúrni kívánt pontot egy pontozóval és egy kalapáccsal. Helyezze a fúróhegy csúcsát a jelölésbe és kezdje el a fúrást.

Fémek fúrásakor használjon forgácsoláshoz alkalmas kenőanyagot. Kivételt csupán az öntöttvas és a sárgaréz képeznek, amelyeket szárazon kell fúrni.

⚠ VIGYÁZAT: Ha túlságosan erősen nyomja a szerszámot, azzal nem gyorsítja meg a furat kifúrását.

Valójában a fölöslegesen nagy nyomás csupán a fúróhegy sérüléséhez, a szerszám teljesítményének csökkenéséhez vezet és lerövidíti a szerszám hasznos élettartamát.

⚠ VIGYÁZAT: Erősen fogja a szerszámot, és legyen óvatos, amikor a fúróhegy elkezd áttörni a munkadarabot. Hatalmas erő hat a szerszáma/fúróhegyre a furat áttörésének pillanatában.

⚠ VIGYÁZAT: A beszorult fúróhegyet egyszerűen el lehet távolítani a forgásirányváltó kapcsolókar ellenértelen irányú forgásba kapcsolásával. Azonban a gép hirtelen visszafelé foroghat, ha nem tartja erősen.

⚠ VIGYÁZAT: A kisméretű munkadarabokat mindig rögzítse satuban, vagy más hasonló befogó eszközzel.

⚠ VIGYÁZAT: Ha szerszámot folyamatosan működteti addig, amíg az akkumulátor teljesen lemerül, 15 percig pihentesse a szerszámot mielőtt tovább folytatja a munkát egy feltöltött akkumulátorral.

KARBANTARTÁS

⚠ VIGYÁZAT: Minden esetben ellenőrizze, hogy a szerszám ki van kapcsolva és az akkumulátor eltávolításra került mielőtt átvizsgálja a szerszámot vagy annak karbantartását végzi.

MEGJEGYZÉS: Soha ne használjon gázolajt, benzint, higítót, alkoholt vagy hasonló anyagokat. Ezek elszineződést, alakvesztést vagy repedést okozhatnak.

A szénkefék cseréje

▶ **Ábra13:** 1. Határjelzés

Cserélje rendszeresen a szénkefeket. Cserélje ki azokat amikor lekopnak egészen a határjelzésig. Tartsa tisztán a szénkefeket és biztosítsa hogy szabadon mozoghassanak tartójukban. Mindkét szénkefét egyszerre cserélje ki. Használjon egyforma szénkefeket.

1. Egy csavarhúzóval csavarja ki a két csavart, majd vegye le a hátsó fedelet.

▶ **Ábra14:** 1. Hátsó fedél 2. Csavar

2. Emelje fel a rugós rész karját és helyezze a foglalat bemélyedő részébe egy vékonyzárú hornyolt gúty csavarhúzóval, vagy más megfelelő szerszámmal.

▶ **Ábra15:** 1. Bemélyedő rész 2. Rugó 3. Kar

3. Egy fogóval távolítsa el a szénkefefedelet a szénkeféről. Vegye ki az elhasználódott szénkefét, helyezze be az újakat, és helyezze vissza a szénkefefedeleket.

▶ **Ábra16:** 1. Szénkefefedél

4. Ügyeljen arra, hogy a kivezetést a kar ellentétes oldalára helyezze.

▶ **Ábra17:** 1. Kivezetés 2. Szénkefefedél

5. Ellenőrizze, hogy a szénkefefedelekek szorosan illeszkednek a szénkefetartókon található furatokba.

▶ **Ábra18:** 1. Furat 2. Szénkefefedél

6. Helyezze vissza a hátsó fedelet és csavarja vissza a két csavart.

7. Helyezze be az akkumulátort a szerszámba és járassa be a szénkefeket a szerszámot üresjáraton működtetve körülbelül 1 percig.

8. Ezután ellenőrizze a szerszám gép működését és az elektromos féket a kapcsológomb felengedésekor. Ha az elektromos fék nem működik megfelelően, javíttassa meg azt a helyi Makita szervizközpontban.

A termék BIZTONSÁGÁNAK és MEGBÍZHATÓSÁGÁNAK fenntartása érdekében a javításokat és más karbantartásokat vagy beállításokat a Makita hivatalos vagy gyári szervizközpontjában kell elvégezni, mindig csak Makita cserealkatrészeket használva.

OPCIONÁLIS KIEGÉSZÍTŐK

⚠ VIGYÁZAT: Ezen kiegészítőket és tartozékokat javasoljuk a kézikönyvben ismertetett Makita szerszámhoz. Bármilyen más kiegészítő vagy tartozék használata a személyi sérülés kockázatával jár. A kiegészítőt vagy tartozékokat csak rendeltetésszerűen használja.

Ha bármilyen segítségre vagy további információkra van szüksége ezzel a tartozékokkal kapcsolatban, keresse fel a helyi Makita Szervizközpontot.

- Fúróhegyek
- Behajtócsúcsok
- Behajtócsúcs-tartó
- Akasztó
- Eredeti Makita akkumulátor és töltő

MEGJEGYZÉS: A listán felsorolt néhány kiegészítő megtalálható az eszköz csomagolásában standard kiegészítőként. Ezek országonként eltérőek lehetnek.

TECHNICKÉ ŠPECIFIKÁCIE

Model:		DDF482
Hĺbky vŕtania	Oceľ	13 mm
	Drevo	38 mm
Možnosti upínania	Skrutka do dreva	10 mm x 90 mm
	Skrutka so šesťhrannou hlavou	M6
Otáčky naprázdno	Vysoké (2)	0 - 1 900 min ⁻¹
	Nízke (1)	0 - 600 min ⁻¹
Celková dĺžka		185 mm
Menovité napätie		Jednosmerný prúd 18 V
Akumulátor		BL1815N, BL1820, BL1820B BL1830, BL1840, BL1850, BL1830B, BL1840B, BL1850B, BL1860B
Hmotnosť netto		1,5 kg 1,7 kg

- Vzhľadom k neustálemu výskumu a vývoju podliehajú technické údaje uvedené v tomto dokumente zmenám bez upozornenia.
- Technické špecifikácie a typ akumulátora sa môžu v rámci jednotlivých krajín líšiť.
- Hmotnosť s akumulátorom podľa postupu EPTA 01/2003

Určené použitie

Nástroj je určený na vŕtanie a skrútkovanie do dreva, kovu a plastov.

Hluk

Typická hladina akustického tlaku záťaže A určená podľa štandardu EN60745:

Úroveň akustického tlaku (L_{pA}): 75 dB (A)

Odchýlka (K): 3 dB (A)

Úroveň hluku pri práci môže prekročiť 80 dB (A).

VAROVANIE: Používajte ochranu sluchu.

Vibrácie

Celková hodnota vibrácií (trojosový vektorový súčet) určená podľa štandardu EN60745:

Režim činnosti: vŕtanie do kovu

Emisie vibrácií ($a_{h,D}$): 2,5 m/s² alebo menej

Odchýlka (K): 1,5 m/s²

POZNÁMKA: Deklarovaná hodnota emisií vibrácií bola meraná podľa štandardnej skúšobnej metódy a môže sa použiť na porovnanie jedného nástroja s druhým.

POZNÁMKA: Deklarovaná hodnota emisií vibrácií sa môže použiť aj na predbežné posúdenie vystavenia ich účinkom.

VAROVANIE: Emisie vibrácií počas skutočného používania elektrického nástroja sa môžu odlišovať od deklarovanej hodnoty emisií vibrácií, a to v závislosti od spôsobov používania náradia.

VAROVANIE: Nezabudnite označiť bezpečnostné opatrenia s cieľom chrániť obsluhu, a to tie, ktoré sa zakladajú na odhade vystavenia účinkom v rámci reálnych podmienok používania (berúc do úvahy všetky súčasti prevádzkového cyklu, ako sú doby, kedy je nástroj vypnutý a kedy beží bez záťaže-nia, ako dodatok k dobe zapnutia).

Vyhlasenie o zhode so smernicami Európskeho spoločenstva

Len pre európske krajiny

Spoločnosť Makita vyhlasuje, že nasledovné strojné zariadenie/aa:

Označenie zariadenia: L'ahký vŕtací skrutkovač

Číslo modelu/typ: DDF482

Je v zhode s nasledujúcimi európskymi smernicami: 2006/42/EC

Sú vyrobené podľa nasledovných noriem a štandardizovaných dokumentov: EN60745

Technická dokumentácia podľa smernice 2006/42/EC je k dispozícii na adrese:

Makita, Jan-Baptist Vinkstraat 2, 3070, Belgicko
30.3.2015



Yasushi Fukaya

Riaditeľ

Makita, Jan-Baptist Vinkstraat 2, 3070, Belgicko

Všeobecné bezpečnostné predpisy pre elektrické nástroje

VAROVANIE: Prečítajte si všetky bezpečnostné výstrahy a pokyny. Nedodržovanie výstrah a pokynov môže mať za následok zasiahnutie elektrickým prúdom, požiar alebo vážne zranenie.

Všetky výstrahy a pokyny si odložte pre prípad potreby v budúcnosti.

Pojem „elektrický nástroj“ sa vo výstrahách vzťahuje na elektricky napájané elektrické nástroje (s káblom) alebo batériou napájané elektrické nástroje (bez kábla).

Bezpečnostné výstrahy pre ľahký vrtací skrutkovač

1. **Pokiaľ sa s náradím dodávajú prídavné rukoväte používajte ich.** Strata ovládania môže mať za následok poranenie.
2. **Elektrické náradie pri práci držte len za izolované úchopné povrchy, lebo rezné príslušenstvo sa môže dostať do kontaktu so skrytými vodičmi.** Rezné príslušenstvo, ktoré sa dostane do kontaktu so „živým“ vodičom, môže spôsobiť vystavenie kovových častí elektrického náradia „živému“ prúdu a spôsobiť tak obsluhu zasiahnutie elektrickým prúdom.
3. **Elektrické náradie pri práci držte len za izolované úchopné povrchy, lebo upevňovací prvok sa môže dostať do kontaktu so skrytými vodičmi.** Upevňovací prvok, ktorý sa dostane do kontaktu so „živým“ vodičom môže spôsobiť vystavenie kovových častí elektrického náradia „živému“ prúdu a spôsobiť tak obsluhu zasiahnutie elektrickým prúdom.
4. **Vždy dbajte na pevný postoj. Ak pracujete vo výškach, dbajte, aby pod vami nikto nebol.**
5. **Náradie držte pevne.**
6. **Nepribližujte ruky k otáčajúcim sa častiam.**
7. **Nenechávajte nástroj v prevádzke bez dozoru. Pracujte s ním, len keď ho držíte v rukách.**
8. **Nedotýkajte sa bezprostredne po skončení práce vrtáka ani opracovávaného dielu. Môžu byť veľmi horúce a popáliť vás.**
9. **Niektoré materiály obsahujú chemikálie, ktoré môžu byť jedovaté. Dávajte pozor, aby ste ich nevdychovali ani sa ich nedotýkali. Prečítajte si bezpečnostné informácie dodávateľa materiálu.**

TIETO POKYNY USCHOVAJTE.

VAROVANIE: NIKDY nepripustíte, aby sebavedomie a dobrá znalosť výrobku (získané opakovaným používaním) nahradili presné dodržiavanie bezpečnostných pravidiel pre náradie. **NESPRÁVNE POUŽÍVANIE** alebo nedodržovanie bezpečnostných zásad uvedených v tomto návode môže viesť k vážnemu zraneniu.

Dôležité bezpečnostné a prevádzkové pokyny pre akumulátor

1. **Pred použitím akumulátora si prečítajte všetky pokyny a výstavné označenia na (1) nabíjačke akumulátorov, (2) akumulátore a (3) produkte používajúcom akumulátor.**
2. **Akumulátor nerozoberajte.**
3. **Ak sa doba prevádzky príliš skráti, ihneď prerušte prácu. Môže nastať riziko prehriatia, možných popálením či dokonca explózie.**
4. **V prípade zasiahnutia oči elektrolytom ich vypláchnite čistou vodou a okamžite vyhľadajte lekársku pomoc. Môže dôjsť k strate zraku.**
5. **Akumulátor neskratujte:**
 - (1) **Nedotýkajte sa konektorov žiadnym vodivým materiálom.**
 - (2) **Neskladujte akumulátor v obale s inými kovovými predmetmi, napríklad klincami, mincami a pod.**
 - (3) **Akumulátor nevystavujte vode ani dažďu. Skrat akumulátora môže spôsobiť veľký tok prúdu, prehriatie, možné popáleniny či dokonca poruchu.**
6. **Neskladujte nástroj ani akumulátor na miestach s teplotou presahujúcou 50 °C (122 °F).**
7. **Akumulátor nespálujte, ani keď je vážne poškodený alebo úplne opotrebovaný. Akumulátor môže v ohni explodovať.**
8. **Dávajte pozor, aby akumulátor nespadol, a nevystavujte ho nárazom.**
9. **Nepoužívajte poškodený akumulátor.**
10. **Lítium-iónové akumulátory, ktoré sú súčasťou náradia, podliehajú požiadavkám legislatívy o nebezpečnom tovare.**

V prípade obchodnej prepravy, napr. dodanie tretími stranami či špeditérii, sa musia dodržiavať špeciálne požiadavky na zabalenie a označenie. Pred prípravou položky na odoslanie sa vyžaduje konzultácia s odborníkom na nebezpečný materiál. Taktiež treba dodržiavať potenciálne podrobnejšie predpisy príslušnej krajiny. Prelepte alebo zakryte otvorené kontakty a zabaľte akumulátor tak, aby sa v balíku nemohol voľne pohybovať.
11. **Akumulátor likvidujte v súlade s miestnymi nariadeniami.**

TIETO POKYNY USCHOVAJTE.

POZOR: Používajte len originálne akumulátory od spoločnosti Makita. Používanie batérií, ktoré nie sú od spoločnosti Makita, alebo upravených batérií môže spôsobiť výbuch batérie a následný požiar, zranenie osôb alebo poškodeniu majetku. Následkom bude aj zrušenie záruky od spoločnosti Makita na nástroj a nabíjačku od spoločnosti Makita.

Rady na udržanie maximálnej životnosti akumulátora

1. Akumulátor nabíjajte ešte predtým, ako sa úplne vybije. Vždy prerušte prácu s nástrojom a nabíjajte akumulátor, keď spozorujete nižší výkon nástroja.
2. Nikdy nenabíjajte plne nabitý akumulátor. Prebíjanie skracuje životnosť akumulátora.
3. Akumulátor nabíjajte pri izbovej teplote 10 °C – 40 °C (50 °F – 104 °F). Pred nabíjaním nechajte horúci akumulátor vychladnúť.
4. Litium-iónový akumulátor nabíjajte, ak ste ho nepoužívali dlhšie ako šesť mesiacov.

OPIS FUNKCIÍ

⚠ POZOR: Pred úpravou alebo kontrolou funkčnosti nástroja vždy skontrolujte, či je nástroj vypnutý a akumulátor je vybrať.

Inštalácia alebo demontáž akumulátora

⚠ POZOR: Pred inštaláciou alebo vybratím akumulátora nástroj vždy vypnite.

⚠ POZOR: Pri inštalovaní a vyberaní akumulátora pevne uchopíte nástroj a akumulátor. Ak nástroj a akumulátor pevne neuchopíte, môže to mať za následok vyšmyknutie z vašich rúk s dôsledkom poškodenia nástroja a akumulátora, ako aj osobných poranení.

- **Obr.1:** 1. Červený indikátor 2. Tlačidlo 3. Akumulátor

Ak chcete vybrať akumulátor, vysuňte ho z nástroja, pričom posuňte tlačidlo na prednej strane akumulátora.

Akumulátor vložíte tak, že jazýček akumulátora zarovnáte s drážkou v kryte a zasuniete ho na miesto. Zatlačte ho úplne, kým zakliknutím nezapadne na miesto. Ak vidíte červený indikátor na hornej strane tlačidla, nie je správne zapadnutý.

⚠ POZOR: Akumulátor vždy nainštalujte úplne, až kým nie je vidieť červený indikátor. V opačnom prípade môže náhodne vypadnúť z nástroja a ublížiť vám alebo osobám v okolí.

⚠ POZOR: Pri inštalovaní akumulátora nepoužívajte silu. Ak sa akumulátor nedá zasunúť ľahko, nevkladáte ho správne.

Systém ochrany akumulátora

Litium-iónové akumulátory označené hviezdčičkou

- **Obr.2:** 1. Označenie hviezdčičkou

Litium-iónové akumulátory označené hviezdčičkou sú vybavené systémom ochrany. Tento systém automaticky vypne napájanie náradia s cieľom predĺžiť životnosť akumulátora.

Nástroj sa môže počas prevádzky automaticky zastaviť v prípade, ak sa nástroj alebo akumulátor nachádzajú v jednom z nasledujúcich stavov:

Preťaženie:

Nástroj je prevádzkovaný spôsobom, ktorý spôsobuje odber nadmerne vysokého prúdu.

V tejto situácii vypnite nástroj a ukončite prácu, ktorá spôsobuje preťažovanie nástroja. Potom nástroj zapnúť znova spustíte.

Ak sa nástroj nespustí, akumulátor je prehriaty. V tejto situácii nechajte akumulátor pred opätovným zapnutím náradia vychladnúť.

Nízke napätie akumulátora:

Zostávajúca kapacita akumulátora je veľmi nízka a nástroj nebude fungovať. V tejto situácii akumulátor vyberte a nabíjajte ho.

Indikácia zvyšnej kapacity akumulátora

Len pre akumulátory s písmenom „B“ na konci čísla modelu

- **Obr.3:** 1. Indikátory 2. Tlačidlo kontroly

Stlačením tlačidla kontroly na akumulátore zobrazíte zostávajúcu kapacitu akumulátora. Indikátory sa na niekoľko sekúnd rozsvietia.

Indikátory			Zostávajúca kapacita
Svieti	Nesvieti	Bliká	
■ ■ ■ ■	□ □ □ □	▬	75 % až 100 %
■ ■ ■ □	□ □ □ □	▬	50 % až 75 %
■ ■ □ □	□ □ □ □	▬	25 % až 50 %
■ □ □ □	□ □ □ □	▬	0 % až 25 %
▬	□ □ □ □	▬	Akumulátor nabíjate.
■ ■ ■ □	□ □ □ □	▬	Akumulátor je možno chybný.
□ □ □ □	■ ■ ■ ■	▬	

POZNÁMKA: V závislosti od podmienok používania a v závislosti od okolitej teploty sa môže zobrazenie mierne odlišovať od skutočnej kapacity.

Zapínanie

- **Obr.4:** 1. Spúšťač spínača

⚠ POZOR: Pred vložením akumulátora do nástroja sa vždy presvedčíte, či spúšťač spínača funguje správne a po uvoľnení sa vráti do pozície „OFF“.

Ak chcete nástroj spustiť, stačí stlačiť jeho spúšťač spínača. Rýchlosť nástroja sa zvyšuje zvyšovaním prítlaku na spúšťač spínača. Nástroj zastavíte uvoľnením spúšťačacieho spínača.

Zapnutie prednej lampy

► **Obr.5:** 1. Lampa

▲POZOR: Nedívaťe sa priamo do svetla ani jeho zdroja.

Lampu rozsvietite stlačením spúšte. Lampa svieti, kým stlačíte spúšť. Lampa sa vypne 10 až 15 sekúnd po uvoľnení spúšte.

POZNÁMKA: Suchou tkaninou utrite znečistené šošovky lampy. Dávajte pozor, aby sa šošovky lampy nepoškriabali. Mohla by sa znížiť intenzita osvetlenia.

Činnosť prepínacej páčky smeru otáčania

► **Obr.6:** 1. Prepínacia páčka smeru otáčania

▲POZOR: Pred začatím činnosti vždy skontrolujte smer otáčania.

▲POZOR: Smer otáčania prepínajte až po úplnom zastavení nástroja. Pri zmene smeru otáčania pred úplným zastavením by sa mohol nástroj poškodiť.

▲POZOR: Keď nástroj nepoužívate, prepínaciu páčku smeru otáčania vždy prepnete do neutrálnej polohy.

Tento nástroj má prepínaciu páčku na zmenu smeru otáčania. Zatlačte prepínaciu páčku smeru otáčania zo strany A pre otáčanie v smere pohybu hodinových ručičiek alebo zo strany B pre otáčanie proti smeru pohybu hodinových ručičiek.

Keď je prepínacia páčka smeru otáčania v neutrálnej polohe, spúšťací spínač sa nedá potiahnuť.

Nastavenie ťahovacieho momentu

► **Obr.8:** 1. Nastavovací krúžok 2. Dielikovanie 3. Šípka

Ťahovací moment môže byť otáčaním nastavovacieho krúžku nastavený na 22 rôznych nastavení. Zarovnajte príslušnú značku so šípkou na tele nástroja. Ťahovací moment dosahuje minimum na značke 1 a maximum na značke 21.

Spojka bude preklzávať pri rôznych úrovniach krútiaceho momentu, ak je nastavený na čísla 1 až 21. Pri nastavení na značku 21 sa spojka nedá použiť.

Pred samotnou prácou zaskrutkujte skúšobnú skrutku do svojho materiálu alebo do obdobného materiálu, aby ste stanovili, aký ťahovací moment je na dané použitie potrebný.

Približný vzťah medzi veľkosťou skrutky a značkou, na ktorú je nástroj potrebné nastaviť, je uvedený v nasledujúcej tabuľke.

Dielikovanie		1	2	3	4	5	6	7	8	9	10	11	12	13	14	15	16	17	18	19	20	21
Skrutka so šesťhrannou hlavou		M4					M5						M6									
Skrutka do dreva	Mäkké drevo (napr. borovica)	-					φ3,5 x 22			φ4,1 x 38			-									
	Tvrde drevo (napr. preglejka)	-					φ3,5 x 22			φ4,1 x 38			-									

Zmena otáčok

► **Obr.7:** 1. Rýchlostná radiaca páka

▲POZOR: Rýchlostnú radiacu páku vždy nastavte úplne do správnej polohy. Ak je pri prevádzke nástroja rýchlostná radiaca páka umiestnená v polovici vzdialenosti medzi "1" a "2", nástroj sa môže poškodiť.

▲POZOR: Rýchlostnú radiacu páku nepoužívajte, keď je nástroj spustený. Nástroj sa môže poškodiť.

Poloha rýchlostnej radiacej páky	Otáčky	Krútiaci moment	Zodpovedajúca prevádzka
1	Nízke	Vysoký	Vysoké zaťaženie
2	Vysoké	Nízky	Nízke zaťaženie

Ak chcete zmeniť otáčky, najprv nástroj vypnite. Ak chcete použiť vysoké otáčky, zvolte polohu "2". Ak chcete použiť nízke otáčky, ale vysoký krútiaci moment, zvolte polohu "1". Pred prácou skontrolujte, či je rýchlostná radiaca páka v správnej polohe.

Ak počas prevádzky s pákou v polohe "2" dôjde k výraznému zníženiu otáčok, prepnete páku do polohy "1" a znova uvedte nástroj do prevádzky.

ZOSTAVENIE

▲POZOR: Pred vykonaním akejkoľvek práce na nástroji vždy skontrolujte, či je nástroj vypnutý a akumulátor je vybratý.

Montáž alebo demontáž skrutkovača/vrtáka

► **Obr.9:** 1. Objímka 2. Zatvoriť 3. Otvoriť

Objímku otočte proti smeru hodinových ručičiek, otvorí sa čeľusť skľučovadla. Do skľučovadla vložte nastavce skrutkovača/vrták čo najhlbšie. Skľučovadlo dotiahnete otočením objímky v smere hodinových ručičiek. Nastavec skrutkovača/vrták vyberiete otáčaním objímky proti smeru pohybu hodinových ručičiek.

Montáž háku

► **Obr.10:** 1. Drážka 2. Hák 3. Skrutka

Hák je vhodný na dočasné zavesenie nástroja. Môže sa namontovať na ktorúkoľvek stranu nástroja. Hák namontujete tak, že ho vložíte do ryhy na telese nástroja na ktorejkoľvek strane a potom ho zaistíte skrutkou. Vyberiete ho uvoľnením skrutky.

Montáž držiaku nástavca skrutkovača

Voliteľné príslušenstvo

► **Obr.11:** 1. Držiak nástavca skrutkovača 2. Nástavec skrutkovača

Držiak nástavca skrutkovača vložte do výčnelku na nohe nástroja na pravej alebo ľavej strane a zaistíte ho skrutkou.

Keď nástavec skrutkovača nepoužívate, odložte ho do držiaka nástavca skrutkovača. Tu môžete uložiť 45 mm dlhé nástavce skrutkovačov.

PREVÁDZKA

▲POZOR: Akumulátor vložte tak, aby zapadol na svoje miesto. Ak vidíte červený indikátor na hornej strane tlačidla, nie je správne zapadnutý. Zasuňte ho teda úplne tak, aby tento červený indikátor nebolo vidieť. V opačnom prípade môže náhodne vypadnúť z nástroja a ublížiť vám alebo osobám v okolí.

▲POZOR: Ak sa otáčky rýchlo znižujú, znížte zaťaženie alebo nástroj zastavte, aby ste sa vyhlí poškodeniu nástroja.

Nástroj držte pevne jednou rukou za rukoväť a druhou za spodnú časť akumulátora, aby ste mohli kontrolovať zakrúcanie.

► **Obr.12**

Skrutkovanie


▲POZOR: Pre svoju prácu nastavte nastavovací krúžok na správnu momentovú úroveň.

▲POZOR: Uistite sa, že nástavec skrutkovača je vložený priamo v hlave skrutky, v opačnom prípade sa môže skrutka alebo nástavec skrutkovača poškodiť.

Hrot nástavca skrutkovača vložte do hlavičky skrutky a zatlačte na nástroj. Pomaly zapnite nástroj a potom postupne zvyšujte rýchlosť. Spúšťací spínač uvoľnite, keď sa spojka pripojí.

POZNÁMKA: Pri vŕtaní skrutky do dreva si predvrtajte vodiaci otvor, ktorý má veľkosť 2/3 priemeru skrutky. Zjednodušíte si tým vŕtanie a zabránite rozloženiu obrobku.

Vŕtanie

Najprv otočte nastavovací krúžok tak, aby ukazovateľ smeroval k označeniu . Potom postupujte podľa ďalších pokynov.

Vŕtanie do dreva

Ak vŕtate do dreva, najlepšie výsledky dosiahnete použitím vŕtákov do dreva s vodiacou skrutkou. Vodiaca skrutka uľahčuje vŕtanie vtláčením vŕtáka do materiálu.

Vŕtanie do kovu

Skľuz vŕtáka pri začatí vŕtania otvoru predídete tak, že si jamkovačom a kladivom pripravíte malý otvor v bode vŕtania. Hrot vŕtáka umiestnite do vyhlbeniny a začnite vŕtať.

Počas vŕtania do kovov používajte mazivo používané pri rezaní kovov. Výnimkou je železo a mosadz, do ktorých by sa malo vŕtať bez mazacieho média.

▲POZOR: Nadmerným tlakom na nástroj vŕtanie neurýchlite. V skutočnosti tento nadmerný tlak vedie len k poškodeniu hrotu vášho vŕtáka, zníženiu účinnosti nástroja a skráteniu jeho životnosti.

▲POZOR: Držte nástroj pevne a dávajte pozor, keď vŕták začína prenikať do obrobku. V čase preražania otvorom pôsobí na nástroj/vŕták veľká sila.

▲POZOR: Uviaznutý vŕták sa dá jednoducho uvoľniť prepnutím prepínača smeru otáčania do opačnej polohy. Pokiaľ však nástroj nedržíte pevne, môže nečakane vyskočiť.

▲POZOR: Malé obrobky vždy upínajte do zveráka či do podobného upevňovacieho zariadenia.

▲POZOR: Ak sa s nástrojom pracuje priebežne, až kým sa akumulátor nevybije, nechajte nástroj odpočívať po dobu 15 minút pred vložením nabitej batérie.

ÚDRŽBA

▲POZOR: Pred vykonaním kontroly alebo údržby vždy skontrolujte, či je nástroj vypnutý a akumulátor je vybratý.

UPOZORNENIE: Nepoužívajte benzín, riedidlo, alkohol ani podobné látky. Mohlo by to spôsobiť zmenu farby, deformácie alebo praskliny.

Výmena uhlíkov

► **Obr.13:** 1. Medzná značka

Pravidelne kontrolujte uhlíky.

Ak sú opotrebované až po medznú značku, vymeňte ich. Uhlíky musia byť čisté a musia voľne zapadať do svojich držiakov. Oba uhlíky sa musia vymieňať naraz. Používajte len identické uhlíky.

1. Skrutkovačom odstráňte dve skrutky a potom vyberte zadný kryt.

► **Obr.14:** 1. Zadný kryt 2. Skrutka

2. Zdvihnite rameno pružiny a umiestnite ho do zapustenej časti krytu nástavcovým skrutkovačom s úzkym držiakom alebo podobným nástrojom.

► **Obr.15:** 1. Zapustená časť 2. Pružina 3. Rameno

3. Kliešťami odstráňte klobúčiky uhlíkovej kefky. Vyberte opotrebované uhlíkové kefky, vložte nové a vymeňte klobúčiky uhlíkovej kefky.

► **Obr.16:** 1. Klobúčik uhlíkovej kefky

4. Kábel umiestnite na opačnú stranu ramena.

► **Obr.17:** 1. Kábel 2. Klobúčik uhlíkovej kefky

5. Uistite sa, že klobúčiky uhlíkovej kefky bezpečne zapadli do otvorov v držiaku uhlíkov.

► **Obr.18:** 1. Otvor 2. Klobúčik uhlíkovej kefky

6. Znovu namontujte zadný kryt a pevne dotiahnite dve skrutky.

7. Po výmene uhlíkov vložte do nástroja akumulátor a napojte uhlíky spustením nástroja bez zaťaženia na približne 1 minútu.

8. Potom skontrolujte nástroj v prevádzke a fungovanie elektrickej brzdy pri uvoľnení spúšte. Ak elektrická brzda nefunguje správne, nechajte ju opraviť v autorizovanom alebo továrenskom servise značky Makita.

Ak chcete udržať BEZPEČNOSŤ a BEZPORUCHOVOSŤ výrobu, prenechajte opravy, údržbu a nastavenie na autorizované alebo továrenské servisné centrá Makita, ktoré používajú len náhradné diely značky Makita.

VOLITEĽNÉ PRÍSLUŠENSTVO

▲POZOR: Pre váš nástroj Makita, opísaný v tomto návode, doporučujeme používať toto príslušenstvo a nástavce. Pri použití iného príslušenstva či nástavcov môže hroziť nebezpečenstvo zranenia osôb. Príslušenstvo a nástavce sa môžu používať len na účely pre ne stanovené.

Ak potrebujete bližšie informácie týkajúce sa tohoto príslušenstva, obráťte sa na vaše miestne servisné stredisko firmy Makita.

- Vrtáky
- Nástavce skrutkovača
- Držiak nástavca skrutkovača
- Hák
- Originálna batéria a nabíjačka Makita

POZNÁMKA: Niektoré položky zo zoznamu môžu byť súčasťou balenia nástrojov vo forme štandardného príslušenstva. Rozsah týchto položiek môže byť v každej krajine odlišný.

SPECIFIKACE

Model:		DDF482
Vrtací výkon	Ocel	13 mm
	Dřevo	38 mm
Šroubovací výkon	Vrut do dřeva	10 mm × 90 mm
	Šroub se zápusťnou hlavou	M6
Otáčky bez zatížení	Vysoké (2)	0–1 900 min ⁻¹
	Nízký (1)	0–600 min ⁻¹
Celková délka		185 mm
Jmenovité napětí		18 V DC
Akumulátor		BL1815N, BL1820, BL1820B BL1830, BL1840, BL1850, BL1830B, BL1840B, BL1850B, BL1860B
Hmotnost netto		1,5 kg 1,7 kg

- Vzhledem k neustálému výzkumu a vývoji zde uvedené technické údaje podléhají změnám bez upozornění.
- Technické údaje a akumulátor se mohou v různých zemích lišit.
- Hmotnost s akumulátorem dle EPTA – Procedure 01/2003

Účel použití

Nářadí je určeno k vrtání a šroubování do dřeva, kovů a plastů.

Hlučnost

Typická vážená hladina hluku (A) určená podle normy EN60745:
 Hladina akustického tlaku (L_{pA}): 75 dB(A)
 Nejistota (K): 3 dB(A)

Hladina hluku při práci může překročit hodnotu 80 dB (A).

VAROVÁNÍ: Používejte ochranu sluchu.

Vibrace

Celková hodnota vibrací (vektorový součet tří os) určená podle normy EN60745:
 Pracovní režim: Vrtání do kovu
 Emise vibrací (a_{h,D}): 2,5 m/s² nebo méně
 Nejistota (K): 1,5 m/s²

POZNÁMKA: Hodnota deklarovaných emisí vibrací byla změněna standardní zkušební metodou a dá se použít k porovnání nářadí mezi sebou.

POZNÁMKA: Hodnotu deklarovaných emisí vibrací lze také použít k předběžnému posouzení míry expozice vibracím.

VAROVÁNÍ: Emise vibrací při používání elektrického nářadí ve skutečnosti se mohou od hodnoty deklarovaných emisí vibrací lišit v závislosti na způsobech použití nářadí.

VAROVÁNÍ: Nezapomeňte stanovit bezpečnostní opatření na ochranu obsluhy podle odhadu expozice ve skutečných podmínkách použití. (Vezměte přitom v úvahu všechny části provozního cyklu, tj. kromě doby zátěže například doby, kdy je nářadí vypnuté a kdy běží naprázdno.)

Prohlášení ES o shodě

Pouze pro evropské země

Společnost Makita prohlašuje, že následující zařízení:
 Popis zařízení: Akumulátorový vrtací šroubovák
 Č. modelu / typ: DDF482

Vyhovuje následujícím evropským směrnicím:
 2006/42/EC

Zařízení bylo vyrobeno v souladu s následující normou či normativními dokumenty: EN60745

Technická dokumentace dle 2006/42/EC je k dispozici na adrese:

Makita, Jan-Baptist Vinkstraat 2, 3070, Belgie
 30.3.2015



Yasushi Fukaya
 Ředitel

Makita, Jan-Baptist Vinkstraat 2, 3070, Belgie

Obecná bezpečnostní upozornění k elektrickému nářadí

VAROVÁNÍ: Přečtěte si veškerá bezpečnostní upozornění a všechny pokyny. Zanedbání upozornění a pokynů může mít za následek úraz elektrickým proudem, vznik požáru nebo vážné zranění.

Všechna upozornění a pokyny si uschovejte pro budoucí potřebu.

Pojem „elektrické nářadí“ v upozorněních označuje elektrické nářadí, které se zapojuje do elektrické sítě, nebo elektrické nářadí využívající akumulátory.

Bezpečnostní upozornění k akumulátorovému vrtacímu šroubováku

1. **Použijte pomocné držadlo (držadla), pokud je k nářadí dodáno.** Při ztrátě kontroly nad nářadím může dojít ke zranění.
2. **Při práci v místech, kde může dojít ke kontaktu nástrojů z příslušenství se skrytým elektrickým vedením, držte elektrické nářadí za izolované části držadel.** Nástroje z příslušenství mohou při kontaktu s vodičem pod napětím přenést proud do nechráněných částí nářadí a obsluha může utrpět úraz elektrickým proudem.
3. **Při práci v místech, kde může dojít ke kontaktu spojovacího prvku se skrytým elektrickým vedením, držte elektrické nářadí za izolované části držadel.** Spojovací prvky mohou při kontaktu s vodičem pod napětím přenést proud do nechráněných částí nářadí a obsluha může utrpět úraz elektrickým proudem.
4. **Vždy zaujměte stabilní postoj. Při práci s nářadím ve výškách dbejte, aby se pod vámi nepohybovaly žádné osoby.**
5. **Držte nářadí pevně.**
6. **Nepřibližujte ruce k otáčejícím se částem.**
7. **Nenechávejte nářadí běžet bez dozoru. S nářadím pracujte, jen když je držíte v ruce.**
8. **Nedotýkejte se bezprostředně po skončení práce vrtáku ani obrobku. Mohou být velmi horké a mohly by způsobit popáleniny kůže.**
9. **Některé materiály obsahují chemikálie, které mohou být jedovaté. Dávejte pozor, abyste nevedchovali prach nebo nedocházelo ke kontaktu s kůží. Dodržujte bezpečnostní pokyny dodavatele materiálu.**

TYTO POKYNY USCHOVEJTE.

VAROVÁNÍ: NEDOVOLTE, aby pohodlnost nebo pocit znalosti výrobku (získaný na základě předchozího použití) vedl k zanedbání dodržování bezpečnostních pravidel platných pro tento výrobek. NESPRÁVNÉ POUŽÍVÁNÍ či nedodržení bezpečnostních pravidel uvedených v tomto návodu k obsluze může způsobit vážné zranění.

Důležitá bezpečnostní upozornění pro akumulátor

1. **Před použitím akumulátoru si přečtěte všechny pokyny a varovné symboly na (1) nabíječe, (2) akumulátoru a (3) výrobku využívajícím akumulátor.**
2. **Akumulátor nerozebírejte.**
3. **Pokud se příliš zkrátí provozní doba akumulátoru, přerušte okamžitě práci. V opačném případě existuje riziko přehřívání, popálení nebo dokonce výbuchu.**
4. **Budou-li vaše oči zasaženy elektrolytem, vypláchněte je čistou vodou a okamžitě vyhledejte lékařskou pomoc. Může dojít ke ztrátě zraku.**
5. **Akumulátor nezkratujte:**
 - (1) **Nedotýkejte se svorek žádným vodivým materiálem.**
 - (2) **Neskladujte akumulátor v nádobě s jinými kovovými předměty, jako jsou hřebíky, mince, apod.**
 - (3) **Nevystavuje akumulátor vodě a dešti. Zkrat akumulátoru může způsobit velký průtok proudu, přehřátí, možné popálení a dokonce i poruchu.**
6. **Neskladujte nářadí a akumulátor na místech, kde může teplota překročit 50 °C (122 °F).**
7. **Nespalujte akumulátor, ani když je vážně poškozen nebo úplně opotřeben. Akumulátor může v ohni vybuchnout.**
8. **Dávejte pozor, abyste akumulátor neupustili ani s ním nenaráželi.**
9. **Nepoužívejte poškozené akumulátory.**
10. **Obsazené lithium-iontové akumulátory podléhají právním požadavkům na nebezpečné zboží.**

V případě komerční přepravy například externími dopravci je třeba dodržet zvláštní požadavky na balení a značení.

Pro přípravu zboží k přepravě je nutná konzultace s odborníkem na nebezpečný materiál. Dodržujte také případné podrobnější národní předpisy. Odkryté kontakty přelepte izolační páskou či jinak zakryjte a akumulátory zabalte tak, aby se v balení nemohly pohybovat.
11. **Při likvidaci akumulátoru postupujte podle místních předpisů.**

TYTO POKYNY USCHOVEJTE.

UPOZORNĚNÍ: Používejte pouze originální akumulátory Makita. Používání neoriginálních nebo upravených akumulátorů může způsobit explozi akumulátoru a následný požár, zranění a jiné poškození. Zaniká tím také záruka společnosti Makita na nářadí a nabíječku Makita.

Tipy k zajištění maximální životnosti akumulátoru

1. Akumulátor nabíjte dříve, než dojde k jeho úplnému vybití. Pokud si povšimnete sníženého výkonu nářadí, vždy jej zastavte a dobijte akumulátor.
2. Nikdy nenabíjete úplně nabitý akumulátor. Přebíjení zkracuje životnost akumulátoru.
3. Akumulátor dobíjete při pokojové teplotě od 10 °C do 40 °C (50 °F až 104 °F). Před nabíjením nechejte horký akumulátor zchladnout.
4. Pokud se akumulátor delší dobu nepoužívá (déle než šest měsíců), je nutno jej dobít.

POPIS FUNKCÍ

⚠ UPOZORNĚNÍ: Před nastavováním nářadí nebo kontrolou jeho funkce se vždy přesvědčte, zda je vypnuté a je vyjmutý akumulátor.

Nasazení a sejmутí akumulátoru

⚠ UPOZORNĚNÍ: Před nasazením či sejmутím akumulátoru nářadí vždy vypněte.

⚠ UPOZORNĚNÍ: Při nasazování či snímání akumulátoru pevně držte nářadí i akumulátor. V opačném případě vám může nářadí nebo akumulátor vyklouznout z rukou a mohlo by dojít k jejich poškození či ke zranění.

- **Obr.1:** 1. Červený indikátor 2. Tlačítko 3. Akumulátor

Chcete-li akumulátor sejmout, vysuňte jej se současným přesunutím tlačítka na přední straně akumulátoru.

Při nasazování akumulátoru vyrovnejte jazýček na bloku akumulátoru s drážkou v krytu a zasuňte akumulátor na místo. Akumulátor zasuňte na doraz, až zacvakne na své místo. Není-li tlačítko zcela zajištěno, uvidíte na jeho horní straně červený indikátor.

⚠ UPOZORNĚNÍ: Akumulátor zasunujte vždy zcela tak, aby nebyl červený indikátor vidět. Jinak by mohl akumulátor ze zařízení vypadnout a způsobit zranění obsluze či přihlížejícím osobám.

⚠ UPOZORNĚNÍ: Akumulátor nenasazujte násilím. Nelze-li akumulátor zasunout snadno, nevkládáte jej správně.

Systém ochrany akumulátoru

Lithium-iontový akumulátor se značkou hvězdičky

- **Obr.2:** 1. Značka hvězdičky

Lithium-iontové akumulátory se značkou hvězdičky jsou vybaveny systémem ochrany. Tento systém automaticky přeruší napájení nářadí, aby se prodloužila životnost akumulátoru.

Budou-li nářadí nebo akumulátor vystaveny některé z níže uvedených podmínek, nářadí se během provozu automaticky vypne:

Přetížení:

S nářadím se pracuje takovým způsobem, že dochází k odběru mimořádně vysokého proudu.

V takové situaci nářadí vypněte a ukončete činnost, při níž došlo k přetížení nářadí. Potom nářadí zapněte a obnovte činnost.

Jestliže se nářadí nepustí, došlo k přehřátí akumulátoru. V takovém případě nechte akumulátor před opětovným zapnutím nářadí vychladnout.

Nízké napětí akumulátoru:

















Zbývající kapacita akumulátoru je příliš nízká a nářadí nebude fungovat. V takovém případě vyjměte akumulátor a dobijte jej.

Indikace zbývající kapacity akumulátoru

Pouze pro akumulátory s písmenem „B“ na konci čísla modelu

- **Obr.3:** 1. Kontrolky 2. Tlačítko kontroly

Stisknutím tlačítka kontroly na akumulátoru zjistíte zbývající kapacitu akumulátoru. Kontrolky indikátoru se na několik sekund rozsvítí.

Kontrolky			Zbývající kapacita
 Svítí	 Nesvítí	 Bliká	
			75 % až 100 %
			50 % až 75 %
			25 % až 50 %
			0 % až 25 %
			Nabíjete akumulátor.
			Došlo pravděpodobně k poruše akumulátoru.
			

POZNÁMKA: Kapacita udávaná indikátorem se může mírně lišit od skutečné kapacity v závislosti na podmínkách používání a teplotě prostředí.

Používání spouště

- **Obr.4:** 1. Spoušť

⚠ UPOZORNĚNÍ: Před vložením akumulátoru do nářadí vždy zkontrolujte správnou funkci spouště, a zda se po uvolnění vrací do vypnuté polohy.

Chcete-li nářadí uvést do chodu, stačí stisknout spoušť. Otáčky nářadí se zvyšují zvyšováním tlaku na spoušť. Chcete-li nářadí vypnout, uvolněte spoušť.

Rozsvícení předního světla

► **Obr.5:** 1. Světlo

⚠ UPOZORNĚNÍ: Nedívejte přímo do světla nebo jeho zdroje.

Při stisknutí spouště se rozsvítí světlo. Světlo svítí po celou dobu stisknutí spouště. Světlo zhasne za 10 až 15 sekund po uvolnění spouště.

POZNÁMKA: K očištění nečistot ze skla světla použijte suchý hadřík. Dbejte, abyste sklo světla nepoškrábali. Mohlo by dojít ke snížení svítivosti.

Přepínání směru otáčení

► **Obr.6:** 1. Přepínací páčka směru otáčení

⚠ UPOZORNĚNÍ: Před zahájením provozu vždy zkontrolujte nastavený směr otáčení.

⚠ UPOZORNĚNÍ: Směr otáčení přepínejte až po úplném zastavení nářadí. Provedete-li změnu směru otáčení před zastavením nářadí, může dojít k jeho poškození.

⚠ UPOZORNĚNÍ: Pokud nářadí nepoužíváte, vždy přesuňte přepínací páčku směru otáčení do neutrální polohy.


Toto nářadí je vybaveno přepínačem směru otáčení. Stisknutím přepínací páčky směru otáčení ze strany A se nástroj otáčí ve směru hodinových ručiček, zatímco při stisknutí ze strany B proti směru hodinových ručiček. Je-li přepínací páčka směru otáčení v neutrální poloze, nelze stisknout spoušť nářadí.

Seřízení utahovacího momentu

► **Obr.8:** 1. Stavěcí prstenec 2. Stupnice 3. Šipka

Utahovací moment lze nastavit v 22 krocích otáčením stavěcího prstence. Hodnotu stupnice zarovnejte se šipkou na tělese nářadí. Minimální utahovací moment odpovídá hodnotě 1 a maximální symbolu .

Při nastavení v rozmezí čísel 1 až 21 začne spojka při dosažení různých úrovní utahovacího momentu prokluzovat.

Při nastavení na symbol  se spojka vyřadí z činnosti.

Před zahájením pracovního postupu zašroubujte do materiálu nebo vzorku stejného materiálu zkušební šroub a ověřte, jaký utahovací moment v konkrétní situaci potřebujete.

Následující tabulka slouží pro hrubou orientaci ve vztahu mezi velikostí vrutu a hodnotou na stupnici.

Stupnice		1	2	3	4	5	6	7	8	9	10	11	12	13	14	15	16	17	18	19	20	21
Šroub se záspustnou hlavou		M4				M5							M6									
Vrut do dřeva	Měkké dřevo (např. borovice)	-				φ3,5 × 22				φ4,1 × 38				-								
	Tvrdé dřevo (např. lauan)	-				φ3,5 × 22				φ4,1 × 38				-								

Změna otáček

► **Obr.7:** 1. Páčka regulace otáček

⚠ UPOZORNĚNÍ: Páčku regulace otáček vždy přesuňte zcela do správné polohy. Budete-li nářadí používat s páčkou regulace otáček umístěnou mezi symboly „1“ a „2“, může dojít k poškození nářadí.

⚠ UPOZORNĚNÍ: Nemanipulujte s páčkou regulace otáček, je-li nářadí v provozu. Mohlo by dojít k poškození nářadí.

Poloha páčky regulace otáček	Otáčky	Utahovací moment	Vhodný provoz
1	Nízké	Vysoké	Provoz s vysokým zatížením
2	Vysoký	Nízký	Provoz s nízkým zatížením

Chcete-li změnit otáčky, nářadí nejprve vypněte. Zvolte nastavení „2“ pro vysoké otáčky nebo „1“ pro nízké otáčky s vysokým momentem. Před zahájením provozu se ujistěte, zda je páčka regulace otáček nastavena do správné polohy.

Dojde-li při provozu s nastavením v poloze „2“ k výraznému poklesu otáček, přesuňte páčku do polohy „1“ a obnovte provoz.

SESTAVENÍ

⚠️ UPOZORNĚNÍ: Před prováděním jakýchkoli prací na nářadí se vždy přesvědčte, zda je vypnuté a je vyjmutý akumulátor.

Instalace a demontáž šroubovacího bitu a vrtáku

► **Obr.9:** 1. Objímka 2. Utaženo 3. Povoleno

Otáčením objímky proti směru hodinových ručiček povolte upínací čelisti. Vložte šroubovací bit nebo vrták co nejdale do upínací hlavy. Utáhněte upínací hlavu otáčením objímky ve směru hodinových ručiček. Chcete-li šroubovací bit nebo vrták vyjmout, otáčejte objímku proti směru hodinových ručiček.

Instalace háčku

► **Obr.10:** 1. Drážka 2. Háček 3. Šroub

Háček je vhodný k dočasnému pověšení nářadí. Lze jej nainstalovat na obou stranách nářadí. Při instalaci háčku jej vložte do drážky na jedné ze stran krytu nářadí a zajistěte jej šroubem. Chcete-li jej odstranit, uvolněte šroub a vyjměte jej.

Instalace držáku šroubovacích bitů

Volitelné příslušenství

► **Obr.11:** 1. Držák šroubovacích bitů 2. Šroubovací bit

Do výstupku v patce nářadí nasadte zprava či zleva držák šroubovacích bitů a zajistěte jej šroubem. Jestliže šroubovací bit nepoužíváte, uložte jej do držáku šroubovacích bitů. Umožňuje ukládání šroubovacích bitů o délce 45 mm.

PRÁCE S NÁŘADÍM

⚠️ UPOZORNĚNÍ: Akumulátor zasunujte vždy až na doraz, dokud není zajištěn na svém místě. Není-li tlačítko zcela zajištěno, uvidíte na jeho horní straně červený indikátor. Zasuňte akumulátor zcela tak, aby nebyl červený indikátor vidět. Jinak by mohl akumulátor z nářadí vypadnout a způsobit zranění obsluhy či osob v okolí.

⚠️ UPOZORNĚNÍ: Při výrazném snížení otáček omezte zatížení nebo nářadí vypněte, aby nedošlo k jeho poškození.

Držte nářadí pevně s jednou rukou na rukojeti a druhou rukou na spodní straně akumulátoru, abyste měli pod kontrolou točivý pohyb nářadí.

► **Obr.12**

Šroubování


⚠️ UPOZORNĚNÍ: Nastavte stavěcí prsteneček na správný utahovací moment odpovídající prováděné činnosti.

⚠️ UPOZORNĚNÍ: Dbejte, aby byl šroubovací bit nasazen rovně do hlavy šroubu. V opačném případě může dojít k poškození šroubu nebo šroubovacího bitu.

Nasadte hrot šroubovacího bitu na hlavu šroubu a vyvíjte na nářadí tlak. Pomalu uveďte nářadí do chodu a poté otáčky postupně zvyšujte. Jakmile začne prokluzovat spojka, uvolněte spoušť nářadí.

POZNÁMKA: Při šroubování vrutů do dřeva předvrtejte vodící otvor rovnající se 2/3 průměru vrutu. Usnadníte tím šroubování a zamezíte rozštípnutí obrobku.

Vrtání

Nejdříve otočte stavěcí prsteneček tak, aby byl ukazatel vyrovnán se symbolem . Poté postupujte následovně.

Vrtání do dřeva

Vrtáte-li do dřeva, nejlepších výsledků dosáhnete použitím vrtáků do dřeva s vodícím šroubem. Vodící šroub usnadňuje vrtání tím, že vtahuje vrták do obrobku.

Vrtání do kovu

Abyste zabránili smeknutí vrtáku na začátku vrtání, udělejte si v místě, kde chcete vrtat, pomocí kladiva a důlčíku důlek. Nasadte hrot vrtáku do důlku a začněte vrtat.

Při vrtání do kovů použijte řeznou kapalinu. Výjimkou je železo a mosaz, které je třeba vrtat nasucho.

⚠️ UPOZORNĚNÍ: Nadměrným tlakem na nářadí vrtání neurychlete. Ve skutečnosti tento nadměrný tlak vede jen k poškození hrotu vrtáku, snížení účinnosti nářadí a zkrácení jeho životnosti.

⚠️ UPOZORNĚNÍ: Držte nářadí pevně a dávejte pozor, jakmile vrták začne pronikat do obrobku. V okamžiku, kdy nástroj/vrták proniká materiálem, působí na nářadí a vrták značné síly.

⚠️ UPOZORNĚNÍ: Uvnutý vrták lze jednoduše uvolnit přepnutím přepínače směru otáčení do opačné polohy. Pokud však nářadí nedržíte pevně, může nečekaně vyskočit.

⚠️ UPOZORNĚNÍ: Malé obrobky vždy upínejte do svéráku či do podobného upevňovacího zařízení.

⚠️ UPOZORNĚNÍ: Je-li nářadí provozováno nepřetržitě až do vybití akumulátoru, nechte jej po instalaci nabitého akumulátoru před dalším pokračováním v práci 15 minut v klidu.

ÚDRŽBA

⚠ UPOZORNĚNÍ: Před zahájením kontroly nebo údržby nářadí se vždy ujistěte, zda je vypnuté a je vyjmut akumulátor.

POZOR: Nikdy nepoužívejte benzín, benzen, ředidlo, alkohol či podobné prostředky. Mohlo by tak dojít ke změnám barvy, deformacím či vzniku prasklin.

Výměna uhlíků

► **Obr.13:** 1. Mezní značka

Pravidelně kontrolujte uhlíky.

Jsou-li opotřebené až po mezní značku, vyměňte je. Udržujte uhlíky čisté a zajistěte, aby se mohly v držácích volně pohybovat. Oba uhlíky by se měly vyměňovat najednou. Používejte výhradně stejné uhlíky.

1. Pomocí šroubováku odšroubujte dva šrouby a sejměte zadní kryt.

► **Obr.14:** 1. Zadní kryt 2. Šroub

2. Zvedněte rameno pružiny a poté jej umístěte do vybrání v krytu pomocí plochého šroubováku s tenkým hrotem nebo podobného nástroje.

► **Obr.15:** 1. Vybrání 2. Pružina 3. Rameno

3. K odstranění krytek uhlíků použijte kleště. Vyměňte opotřebené uhlíky, vložte nové a opačným postupem zašroubujte krytky zpět.

► **Obr.16:** 1. Krytka uhlíku

4. Zajistěte umístění přívodu na opačnou stranu ramena.

► **Obr.17:** 1. Přívod 2. Krytka uhlíku

5. Dbejte, aby krytky uhlíků správně zapadly do otvorů v držácích uhlíků.

► **Obr.18:** 1. Otvor 2. Krytka uhlíku

6. Nainstalujte zpět zadní kryt a pevně dotáhněte oba šrouby.

7. Vložte do nářadí akumulátor a nechte uhlíky zaběhnout spuštěním nářadí na 1 minutu bez zatížení.

8. Zkontrolujte funkci nářadí a elektrické brzdy při uvolnění spouště. Pokud elektrická brzda nefunguje správně, nechte nářadí opravit autorizovaným nebo továrním servisním střediskem společnosti Makita.

K zachování BEZPEČNOSTI a SPOLEHLIVOSTI výrobku musí být opravy a veškerá další údržba či seřizování prováděny autorizovanými nebo továrními servisními středisky společnosti Makita s využitím náhradních dílů Makita.

VOLITELNÉ PŘÍSLUŠENSTVÍ

⚠ UPOZORNĚNÍ: Pro nářadí Makita popsané v tomto návodu doporučujeme používat následující příslušenství a nástavce. Při použití jiného příslušenství či nástavců může hrozit nebezpečí zranění osob. Příslušenství lze používat pouze pro stanovené účely.

Potřebujete-li bližší informace ohledně tohoto příslušenství, obraťte se na místní servisní středisko společnosti Makita.

- Vrtáky
- Šroubovací bity
- Držák šroubovacích bitů
- Háček
- Originální akumulátor a nabíječka Makita

POZNÁMKA: Některé položky seznamu mohou být k nářadí přibaleny jako standardní příslušenství. Přibalené příslušenství se může v různých zemích lišit.

ТЕХНІЧНІ ХАРАКТЕРИСТИКИ

Модель:		DDF482
Величина свердління	Сталь	13 мм
	Деревина	38 мм
Величина затягування	Шуруп	10 x 90 мм
	Гвинт для металу	M6
Швидкість без навантаження	Висока (2)	0—1 900 хв ⁻¹
	Низька (1)	0—600 хв ⁻¹
Загальна довжина		185 мм
Номінальна напруга		18 В пост. струму
Касета з акумулятором		BL1815N, BL1820, BL1820B BL1830, BL1840, BL1850, BL1830B, BL1840B, BL1850B, BL1860B
Чиста вага		1,5 кг 1,7 кг

- Оскільки наша програма наукових досліджень і розробок триває безперервно, наведені тут технічні характеристики можуть бути змінені без попередження.
- Технічні характеристики приладу та касета з акумулятором можуть відрізнятися в різних країнах.
- Вага разом з касетою з акумулятором відповідно до EPTA-Procedure 01/2003

Призначення

Інструмент призначено для свердління та вкручування гвинтів у деревину, метал та пластмасу.

Шум

Рівень шуму за шкалою А в типовому виконанні, визначений відповідно до стандарту EN60745:

Рівень звукового тиску (L_{pA}): 75 дБ (А)

Похибка (К): 3 дБ (А)

Рівень шуму під час роботи може перевищувати 80 дБ (А).

▲ ПОПЕРЕДЖЕННЯ: Користуйтеся засобами захисту органів слуху.

Вібрація

Загальна величина вібрації (векторна сума трьох напрямків) визначена згідно з EN60745:

Режим роботи: свердління металу

Вібрація ($a_{h,D}$): 2,5 м/с² або менше

Похибка (К): 1,5 м/с²

ПРИМІТКА: Заявлене значення вібрації було виміряно відповідно до стандартних методів тестування та може використовуватися для порівняння одного інструмента з іншим.

ПРИМІТКА: Заявлене значення вібрації може також використовуватися для попередньої оцінки впливу.

▲ ПОПЕРЕДЖЕННЯ: Залежно від умов використання вібрація під час фактичної роботи електроінструмента може відрізнятися від заявленого значення вібрації.

▲ ПОПЕРЕДЖЕННЯ: Забезпечте належні запобіжні заходи для захисту оператора, що відповідатимуть умовам використання інструмента (слід брати до уваги всі складові робочого циклу, такі як час, коли інструмент вимкнено та коли він починає працювати на холостому ході під час запуску).

Декларація про відповідність стандартам ЄС

Тільки для країн Європи

Компанія Makita наголошує на тому, що обладнання: Позначення обладнання: Дриль із бездротовим приводом

№ моделі / тип: DDF482

Відповідає таким європейським директивам: 2006/42/ЕС

Обладнання виготовлене відповідно до таких стандартів або стандартизованих документів: EN60745
Технічну інформацію відповідно до 2006/42/ЕС можна отримати:

Makita, Jan-Baptist Vinkstraat 2, 3070, Belgium (Бельгія)

30.3.2015



Ясуші Фукайя

Директор

Makita, Jan-Baptist Vinkstraat 2, 3070, Belgium (Бельгія)

Загальні застереження щодо техніки безпеки при роботі з електроінструментами

▲ ПОПЕРЕДЖЕННЯ: Прочитайте усі застереження стосовно техніки безпеки та всі інструкції. Недотримання попереджень та інструкцій може призвести до ураження електричним струмом, до виникнення пожежі та/або до отримання серйозних травм.

Збережіть усі інструкції з техніки безпеки та експлуатації на майбутнє.

Термін «електроінструмент», зазначений у інструкції з техніки безпеки, стосується електроінструмента, який функціонує від електромережі (електроінструмент з кабелем живлення), або електроінструмента з живленням від батареї (безпроводний електроінструмент).

Попередження про необхідну обережність під час роботи з дрилем із бездротовим приводом

1. Використовуйте допоміжну(і) ручку(и), якщо вона(и) поставляються разом з інструментом. Втрата контролю над інструментом може призвести до травмування.
2. Тримайте електроприлад за ізольовані поверхні держака під час виконання дії, за якої ріжуче приладдя може зачепити приховану електропроводку. Торкання ріжучим приладдям дроту під напругою може призвести до передавання напруги до оголених металевих частин інструмента та до ураження оператора електричним струмом.
3. Тримайте електроприлад за ізольовані поверхні держака під час виконання дії, за якої кріпильна деталь може зачепити сховану проводку. Торкання кріпильною деталлю дроту під напругою може призвести до передавання напруги до оголених металевих частин інструмента та до ураження оператора електричним струмом.
4. Обов'язково забезпечте надійну опору. При виконанні робіт з інструментом на висоті переконайтеся, що внизу нікого немає.
5. Тримайте інструмент міцно.
6. Не торкайтеся руками деталей, що обертаються.
7. Не залишайте інструмент, який працює. Працюйте з інструментом тільки тоді, коли тримаєте його в руках.
8. Не торкайтеся свердла або оброблюваної деталі одразу після свердління; вони можуть бути дуже гарячими і спричинити опіки шкіри.
9. Деякі матеріали мають у своєму складі токсичні хімічні речовини. Будьте обережні, щоб не допустити вдихання пилу та його контакту зі шкірою. Дотримуйтеся правил техніки безпеки виробника матеріалу.

ЗБЕРІГАЙТЕ ЦІ ВКАЗІВКИ.

▲ ПОПЕРЕДЖЕННЯ: НІКОЛИ НЕ втрачайте пильності та не розслабляйтеся під час користування виробом (що можливо при частому використанні); обов'язково строго дотримуйтеся відповіданих правил безпеки. **НЕНАЛЕЖНЕ ВИКОРИСТАННЯ** або недотримання правил техніки безпеки, викладених у цій інструкції з експлуатації, може призвести до серйозних травм.

Важливі інструкції з безпеки для касети з акумулятором

1. Перед тим як користуватися касетою з акумулятором, слід прочитати всі інструкції та застережні знаки щодо (1) зарядного пристрою акумулятора, (2) акумулятора та (3) виробів, що працюють від акумулятора.
2. Не слід збирати касету з акумулятором.
3. Якщо період роботи дуже покоротшав, слід негайно припинити користування. Це може призвести до виникнення ризику перегріву, опіку та навіть вибуху.
4. У разі потраплення електроліту в очі слід промити їх чистою водою та негайно звернутися до лікаря. Це може призвести до втрати зору.
5. Не закоротіть касету з акумулятором.
 - (1) Не слід торкатися клем будь-яким струмопровідним матеріалом.
 - (2) Не слід зберігати касету з акумулятором у ємності з іншими металевими предметами, такими як цвяхи, монети тощо.
 - (3) Не залишайте касету з акумулятором під дощем, запобігайте контакту з водою.Коротке замикання може призвести до появи значного струму, перегріву, можливих опіків та навіть виходу з ладу.
6. Не слід зберігати інструмент та касету з акумулятором в місцях, де температура може сягнути чи перевищити 50°C (122°F).
7. Не слід спалювати касету з акумулятором, навіть якщо вона була неодноразово пошкоджена або повністю спрацьована. Касета з акумулятором може вибухнути у вогні.
8. Не слід кидати або ударяти акумулятор.
9. Не слід використовувати пошкоджений акумулятор.
10. Літій-іонні акумулятори, що містяться в інструменті, мають відповідати вимогам законів про небезпечні товари.

Під час транспортування за допомогою комерційних перевезень, наприклад із залученням третьої сторони та експедиторів, необхідно дотримуватися особливих вимог, вказаних на пакуванні й у маркуванні.

Під час підготування позиції до відправлення необхідно проконсультуватися зі спеціалістом з небезпечних матеріалів. Крім того, слід виконувати більш докладні національні настанови, якщо такі є. Заклейте відкриті контакти стрічкою або заховайте їх і запакуйте акумулятор таким чином, щоб він не міг рухатися в пакуванні.
11. Дотримуйтеся норм місцевого законодавства щодо утилізації акумуляторів.

ЗБЕРІГАЙТЕ ЦІ ВКАЗІВКИ.

⚠ОБЕРЕЖНО: Використовуйте тільки акумулятори Makita. Використання акумуляторів, інших ніж оригінальні акумулятори Makita, або акумуляторів, конструкцію яких було змінено, може призвести до вибуху акумулятора і спричинити пожежу, травму або пошкодження. У зв'язку з цим також буде анульовано гарантію Makita на інструмент Makita і на зарядний пристрій.

Поради з забезпечення максимального строку експлуатації акумулятора

1. Касету з акумулятором слід заряджати до того, як він розрядиться повністю. Завжди слід зупинити роботу інструмента та зарядити акумулятор, якщо ви помітили зменшення потужності інструмента.
2. Ніколи не слід заряджати повторно повністю заряджену касету з акумулятором. Перезарядження скорочує строк експлуатації акумулятора.
3. Заряджайте касету з акумулятором при кімнатній температурі 10°C—40°C (50°F—104°F). Перед тим як заряджати касету з акумулятором, слід зачекати, доки вона охолоне.
4. Якщо касета з акумулятором не використовувалася тривалий час (понад шість місяців), її слід зарядити.

ОПИС РОБОТИ

⚠ОБЕРЕЖНО: Обов'язково переконайтеся, що прилад вимкнено, а касету з акумулятором знято, перед регулюванням або перевіркою функціонування інструмента.

Встановлення та зняття касети з акумулятором

⚠ОБЕРЕЖНО: Завжди вимикайте інструмент перед встановленням або зняттям касети з акумулятором.

⚠ОБЕРЕЖНО: Під час встановлення або зняття касети з акумулятором слід міцно тримати інструмент та касету з акумулятором. Якщо ви утримуватимете інструмент та касету з акумулятором недостатньо міцно, вони можуть вислизнути з рук, що може призвести до пошкодження інструмента та касети з акумулятором або може спричинити травми.

► **Рис.1:** 1. Червоний індикатор 2. Кнопка 3. Касета з акумулятором

Щоб зняти касету з акумулятором, слід витягнути її з інструмента, натиснувши на кнопку в передній частині касети.

Щоб установити касету з акумулятором, слід сумістити виступ на касеті з акумулятором із пазом у корпусі та вставити касету на місце. Її необхідно вставити повністю, аж доки не почуєте клацання. Якщо на верхній частині кнопки помітний червоний індикатор, це означає, що касета з акумулятором установлена не до кінця.

⚠ОБЕРЕЖНО: Завжди вставляйте касету з акумулятором повністю, аж поки червоний індикатор стане невидимим. Якщо цього не зробити, касета може випадково випасти з інструмента та завдати травми вам або людям, що знаходяться поряд.

⚠ОБЕРЕЖНО: Не встановлюйте касету з акумулятором із зусиллям. Якщо касета не вставляється легко, то це означає, що ви її неправильно вставляєте.

Система захисту акумулятора

Літій-іонні акумулятори з маркувальною зірочкою

► **Рис.2:** 1. Маркувальна зірочка

Літій-іонні акумулятори з маркувальною зірочкою оснащені системою захисту. Ця система автоматично вимикає живлення інструмента, щоб збільшити експлуатаційний ресурс акумулятора. Інструмент буде автоматично вимкнено під час роботи, якщо він та/або акумулятор перебуватимуть в описаних нижче умовах.

Перевантаження

Інструмент споживає струм занадто високої потужності під час роботи.

У такому разі вимкніть інструмент і припиніть роботу, під час виконання якої інструмент зазнав перевантаження. Щоб перезапустити інструмент, увімкніть його знову.

Якщо інструмент не запускається, це означає, що акумулятор перегрівся. У такому випадку дозвольте акумулятору охолонути, перш ніж знову увімкнути інструмент.

Низька напруга акумулятора

Залишкова ємність акумулятора занадто низька, тому інструмент не буде працювати. У такому разі вийміть і зарядіть акумулятор.

Відображення залишкового заряду акумулятора

Тільки для касет з акумулятором з літерою «В» у кінці номера моделі

► **Рис.3:** 1. Індикаторні лампи 2. Кнопка перевірки. Натисніть кнопку перевірки на касеті з акумулятором для відображення залишкового ресурсу акумулятора. Індикаторні лампи загоряться на кілька секунд.

Індикаторні лампи			Залишковий ресурс
 Горить	 Вимк.	 Блимає	
			від 75 до 100%

Індикаторні лампи			Залишковий ресурс
Горить	Вимк.	Блимає	
■	□	▧	від 50 до 75%
■ ■ ■ □			
■ ■ □ □			від 25 до 50%
■ □ □ □			від 0 до 25%
▧ □ □ □			Зарядіть акумулятор.
■ ■ □ □			Можливо, акумулятор вийшов з ладу.
□ □ ■ ■	↑ ↓		

ПРИМІТКА: Залежно від умов використання та температури оточуючого середовища показання можуть незначним чином відрізнятись від дійсного ресурсу.

Дія вимикача

► Рис.4: 1. Курок вимикача

⚠ОБЕРЕЖНО: Перед тим як вставляти касету з акумулятором в інструмент, обов'язково перевірте, чи курок вимикача спрацьовує належним чином та повертається у положення «ВИМК.», коли його відпускають.

Щоб увімкнути інструмент, просто натисніть на курок вимикача. Швидкість інструмента зростає, якщо збільшити тиск на курок вимикача. Щоб зупинити роботу, відпустіть курок вимикача.

Увімкнення переднього підсвічування

► Рис.5: 1. Лампа

⚠ОБЕРЕЖНО: Не дивіться на світло або безпосередньо на джерело світла.

Натисніть на курок вимикача, щоб увімкнути підсвічування. Лампа світиться, поки курок вимикача натиснуто. Підсвічування гасне через 10—15 секунд після того, як курок вимикача був відпущений.

ПРИМІТКА: Для очищення скла лампи підсвічування протріть її сухою тканиною. Будьте обережні, щоб не подряпати скло лампи підсвічування, тому що це погіршить освітлювання.

Робота перемикача реверсу

► Рис.6: 1. Важіль перемикача реверсу

⚠ОБЕРЕЖНО: Перед початком роботи обов'язково перевіряйте напрям обертання.

⚠ОБЕРЕЖНО: Перемикач реверсу можна використовувати тільки після повної зупинки інструмента. Зміна напрямку обертання до повної зупинки інструмента може призвести до його пошкодження.

⚠ОБЕРЕЖНО: Коли інструмент не використовується, важіль перемикача реверсу повинен знаходитися в нейтральному положенні.

Цей інструмент обладнано перемикачем реверсу для зміни напрямку обертання. Для обертання за годинниковою стрілкою пересуньте важіль перемикача реверсу в положення А, проти годинникової стрілки — у положення В.

Коли важіль перемикача реверсу перебуває в нейтральному положенні, курок вимикача не можна натиснути.

Зміна швидкості

► Рис.7: 1. Важіль зміни швидкості

⚠ОБЕРЕЖНО: Обов'язково встановлюйте важіль зміни швидкості у належне положення. Використання інструмента, коли важіль зміни швидкості розташовано між положеннями 1 та 2, може призвести до його пошкодження.

⚠ОБЕРЕЖНО: Не можна пересувати важіль зміни швидкості, коли інструмент працює. Це може призвести до пошкодження інструмента.

Положення важеля важіль зміни	Швидкість	Крутний момент	Застосування
1	Низька	Висока	Робота зі значним навантаженням
2	Високий	Низький	Робота з незначним навантаженням

Щоб змінити швидкість, спочатку вимкніть інструмент. Виберіть положення 2 для високої швидкості або положення 1 для низької швидкості з високим крутним моментом. Перед тим як починати роботу, переконайтеся, що важіль зміни швидкості встановлено у правильне положення.

Якщо швидкість інструмента сильно знижується під час роботи у положенні 2, пересуньте важіль у положення 1 і знову розпочніть роботу.

Регулювання моменту затягування

- **Рис.8:** 1. Кільце регулювання 2. Градування
3. Стрілка

Момент затягування можна відрегулювати у 22 кроків повертанням кільця регулювання. Сумістіть поділки зі стрілкою на корпусі інструмента. Мінімальний момент затягування відповідає позначці 1, а максимальний — позначці 16.

Зчеплення прослизатиме при різних моментах затягування у разі встановлення позначки від 1 до 21.

Зчеплення не працює на позначці 16.

Перед тим як власне починати роботу, слід вкрутити пробний гвинт у матеріал або дублікат деталі, щоб визначити рівень моменту затягування, необхідний для даної роботи.

У нижченаведеній таблиці показано приблизне співвідношення між розміром гвинта і поділкою.

Градування		1	2	3	4	5	6	7	8	9	10	11	12	13	14	15	16	17	18	19	20	21
Гвинт для металу		M4					M5										M6					
Шуруп	М'яка деревина (наприклад, сосна)	—					φ3,5 x 22					φ4,1 x 38					—					
	Жорстка деревина (наприклад, шорея)	—					φ3,5 x 22					φ4,1 x 38					—					

ЗБОРКА

⚠ ОБЕРЕЖНО: Обов'язково переконайтеся, що прилад вимкнено, а касету з акумулятором знято, перш ніж проводити будь-які роботи з інструментом.

Встановлення та зняття наконечника для викручування або свердла

- **Рис.9:** 1. Муфта 2. Закрити 3. Відкрити

Поверніть муфту проти годинникової стрілки, щоб відкрити кулачки патрона. Вставте наконечник для викручування або свердло в патрон до упору. Поверніть муфту за годинниковою стрілкою, щоб затягнути кулачки патрона. Щоб зняти наконечник для викручування або свердло, поверніть муфту проти годинникової стрілки.

Встановлення гака

- **Рис.10:** 1. Паз 2. Гак 3. Гвинт

Гак зручно використовувати для тимчасового підвішування інструмента. Його можна встановлювати на будь-якому боці інструмента. Щоб встановити гак, вставте його в паз на корпусі інструмента з будь-якого боку та закріпіть за допомогою гвинта. Щоб зняти гак, відпустіть гвинт і витягніть його.

Встановлення касети для наконечників

Додаткове приладдя

- **Рис.11:** 1. Касета для наконечників
2. Наконечник для викручування

Вставте касету для наконечників у виступ у нижній частині інструмента ліворуч або праворуч та закріпіть її за допомогою гвинта.

Коли наконечник для викручування не використовується, зберігайте його в касеті для наконечників. У ній можна зберігати наконечники для викручування довжиною 45 мм.

РОБОТА

⚠ ОБЕРЕЖНО: Обов'язково вставляйте касету з акумулятором до кінця з фіксацією на місці. Якщо на верхній частині кнопки помітний червоний індикатор, це означає, що касета з акумулятором зафіксована не до кінця. Вставте касету повністю, щоб червоний індикатор зник. Якщо цього не зробити, касета може випадково випасти з інструмента та завдати травми вам або людям, що знаходяться поряд.

⚠ ОБЕРЕЖНО: Коли швидкість сильно знижується, слід зменшити навантаження або зупинити інструмент, щоб уникнути його пошкодження.

Інструмент потрібно міцно тримати однією рукою за ручку, а другою — за низ касети з акумулятором для того, щоб керувати видовбувальним рухом.

- **Рис.12**

Загвинчування


⚠ ОБЕРЕЖНО: Відрегулюйте кільце регулювання для встановлення крутного моменту, необхідного для роботи.

⚠ ОБЕРЕЖНО: Перевірте, чи наконечник для викручування рівно вставлено в голівку гвинта, інакше гвинт та/або наконечник можуть пошкодитись.

Вставте кінчик наконечника для викручування в голівку гвинта та натисніть на інструмент. Повільно запустіть інструмент, а потім поступово збільшуйте швидкість. Відпустіть курок вмикача, щойно буде задіяно зчеплення.

ПРИМІТКА: У разі викручування шурупа заздалегідь просвердліть напрямний отвір, діаметр якого становить 2/3 діаметра гвинта. Це полегшить викручування гвинта та дозволить уникнути розколювання оброблюваної деталі.

Свердління

Спочатку поверніть кільце регулювання таким чином, щоб покажчик вказував на мітку . Потім виконайте такі дії.

Свердління деревини

Під час свердління деревини найліпші результати можна отримати, використовуючи свердла для деревини, обладнані напрямним гвинтом. Направний гвинт полегшує свердління тим, що він втягує свердло в оброблювану деталь.

Свердління металу

Щоб запобігти зісковзуванню свердла на початку свердління отвору, місце свердління необхідно накернати за допомогою керна та молотка. Встановіть кінчик свердла в накернене місце та почніть свердління. Під час свердління металу слід використовувати мастильно-охолоджувальну рідину. Виятком є чавун та латунь, які свердлять насухо.

⚠ ОБЕРЕЖНО: Прикладання до інструмента надмірного тиску не пришвидшує свердління. Насправді надмірний тиск може лише пошкодити свердло, погіршити характеристики інструмента та скоротити термін його експлуатації.

⚠ ОБЕРЕЖНО: Слід тримати інструмент міцно та бути обережним, коли свердло починає входити в оброблювану деталь. Під час протягання отвору до інструмента/свердла прикладається величезне зусилля.

⚠ ОБЕРЕЖНО: Свердло, яке застрягло, можна легко видалити, встановивши важіль перемикача реверсу на зворотний напрям обертання, щоб отримати задній хід. Але якщо інструмент не тримати міцно, він може різко відскочити.

⚠ ОБЕРЕЖНО: Невелику оброблювану деталь необхідно затискати в лещатах або подібному пристрої.

⚠ ОБЕРЕЖНО: У разі неперервної роботи інструмента до розряджання касети з акумулятором необхідно зробити перерву на 15 хвилин, перед тим як продовжувати роботу з новим акумулятором.

ТЕХНІЧНЕ ОБСЛУГОВУВАННЯ

⚠ ОБЕРЕЖНО: Перед здійсненням перевірки або обслуговування завжди перевіряйте, щоб інструмент був вимкнений, а касета з акумулятором була знята.

УВАГА! Ніколи не використовуйте газолін, бензин, розріджувач, спирт та подібні речовини. Їх використання може призвести до зміни кольору, деформації або появи тріщин.

Заміна вугільних щіток

► **Рис.13:** 1. Гранична відмітка

Регулярно перевіряйте стан вугільних щіток. Заміняйте їх, коли зношення сягає граничної відмітки. Вугільні щітки слід тримати чистими та незаблокованими, щоб вони могли заходити в тримачі. Обидві вугільні щітки слід замінити одночасно. Можна використовувати тільки ідентичні вугільні щітки.

1. Витягніть два гвинти за допомогою викрутки, а потім зніміть задню кришку.

► **Рис.14:** 1. Задня кришка 2. Гвинт

2. Підніміть плече пружини, а потім вставте його в поглиблення на корпусі за допомогою викрутки зі шліцованим наконечником і прямим держаклом або подібного інструмента.

► **Рис.15:** 1. Заглиблена частина 2. Пружина 3. Плече

3. Знімайте ковпачки графітових щіток за допомогою плоскогубців. Витягніть спрацьовані графітові щітки, вставте нові та замініть ковпачки графітових щіток у зворотному порядку.

► **Рис.16:** 1. Ковпачок графітової щітки

4. Тримайте дріт живлення на протилежній стороні плеча.

► **Рис.17:** 1. Дріт живлення 2. Ковпачок графітової щітки

5. Переконайтеся, що ковпачки графітових щіток надійно ввійшли в отвори держаків щіток.

► **Рис.18:** 1. Отвір 2. Ковпачок графітової щітки

6. Поставте на місце задню кришку та надійно затягніть обидва гвинти.

7. Вставте в інструмент касету з акумулятором і притріть щітки, давши інструментові попрацювати без навантаження протягом приблизно 1 хвилини.

8. Перевірте інструмент під час роботи, а також роботу електричного гальма, коли відпускається курок вмикача. Якщо електричне гальмо не працює належним чином, зверніться до авторизованого сервісного центру Makita або сервісного центру заводу для проведення ремонту.

Для забезпечення БЕЗПЕКИ та НАДІЙНОСТІ продукції, її ремонт, а також роботи з обслуговування або регулювання повинні виконуватись уповноваженими або заводськими сервісними центрами Makita із використанням запчастин виробництва компанії Makita.

ДОДАТКОВЕ ПРИЛАДДЯ

⚠ ОБЕРЕЖНО: Це додаткове та допоміжне обладнання рекомендовано використовувати з інструментом Makita, зазначеним у цій інструкції з експлуатації. Використання будь-якого іншого додаткового та допоміжного обладнання може становити небезпеку травмування. Використовуйте додаткове та допоміжне обладнання лише за призначенням.

У разі необхідності отримати допомогу в більш детальному ознайомленні з оснащенням звертайтеся до місцевого сервісного центру Makita.

- Свердла
- Наконечники для викручування
- Касета для наконечників
- Гак
- Оригінальний акумулятор та зарядний пристрій Makita

ПРИМІТКА: Деякі елементи списку можуть входити до комплекту інструмента як стандартне приладдя. Вони можуть відрізнятися залежно від країни.

SPECIFICAȚII

Model:		DDF482
Capacități de găurire	Oțel	13 mm
	Lemn	38 mm
Capacități de strângere	Șurub pentru lemn	10 mm x 90 mm
	Șurub mecanic	M6
Turație în gol	Înaltă (2)	0 - 1.900 min ⁻¹
	Redusă (1)	0 - 600 min ⁻¹
Lungime totală		185 mm
Tensiune nominală		18 V cc.
Cartușul acumulatorului		BL1815N, BL1820, BL1820B BL1830, BL1840, BL1850, BL1830B, BL1840B, BL1850B, BL1860B
Greutate netă		1,5 kg 1,7 kg

- Datorită programului nostru continuu de cercetare și dezvoltare, specificațiile pot fi modificate fără o notificare prealabilă.
- Specificațiile și cartușul acumulatorului pot diferi de la țară la țară.
- Greutatea, cu cartușul acumulatorului, conform procedurii EPTA 01/2003

Destinația de utilizare

Mașina este destinată găuririi și înșurubării în lemn, metal și plastic.

Zgomot

Nivelul de zgomot normal ponderat A determinat în conformitate cu EN60745:

Nivel de presiune acustică (L_{pA}): 75 dB(A)

Marjă de eroare (K): 3 dB(A)

Nivelul de zgomot în timpul funcționării poate depăși 80 dB (A).

AVERTIZARE: Purați echipament de protecție pentru urechi.

Vibrații

Valoarea totală a vibrațiilor (suma vectorilor tri-axiali) determinată conform EN60745:

Mod de lucru: găurirea metalului

Emisie de vibrații ($a_{h,D}$): 2,5 m/s² sau mai puțin

Marjă de eroare (K): 1,5 m/s²

NOTĂ: Nivelul de vibrații declarat a fost măsurat în conformitate cu metoda de test standard și poate fi utilizat pentru compararea unei unelte cu alta.

NOTĂ: Nivelul de vibrații declarat poate fi, de asemenea, utilizat într-o evaluare preliminară a expunerii.

AVERTIZARE: Nivelul de vibrații în timpul utilizării efective a unelei electrice poate diferi de valoarea nivelului declarat, în funcție de modul în care unealta este utilizată.

AVERTIZARE: Asigurați-vă că identificați măsurile de siguranță pentru a proteja operatorul, acestea fiind bazate pe o estimare a expunerii în condiții reale de utilizare (luând în considerare toate părțile ciclului de operare, precum timpii în care unealta a fost oprită, sau a funcționat în gol, pe lângă timpul de declanșare).

Declarație de conformitate CE

Numai pentru țările europene

Makita declară că următoarea(e) mașină(i):

Destinația mașinii: Mașină de găurit și înșurubat cu acumulator

Nr. model/Tip: DDF482

Este în conformitate cu următoarele directive europene: 2006/42/EC

Sunt fabricate în conformitate cu următorul standard sau următoarele documente standardizate: EN60745
Fișierul tehnic în conformitate cu 2006/42/EC este disponibil de la:

Makita, Jan-Baptist Vinkstraat 2, 3070, Belgia
30.3.2015

Yasushi Fukaya

Yasushi Fukaya

Director

Makita, Jan-Baptist Vinkstraat 2, 3070, Belgia

Avertisamente generale de siguranță pentru mașinile electrice

⚠️ AVERTIZARE: Citiți toate avertismentele de siguranță și toate instrucțiunile. Nerespectarea acestor avertismente și instrucțiuni poate avea ca rezultat electrocutarea, incendiul și/sau rănirea gravă.

Păstrați toate avertismentele și instrucțiunile pentru consultări ulterioare.

Termenul „mașină electrică” din avertizări se referă la mașinile dumneavoastră electrice acționate de la rețea (prin cablu) sau cu acumulator (fără cablu).

Avertisamente privind siguranța pentru mașina de găurit și înșurubat cu acumulator

1. **Utilizați mânerul auxiliar, dacă sunt livrate cu mașina.** Pierderea controlului poate produce vătămări corporale.
2. **Țineți mașina electrică de suprafețele de prindere izolate atunci când efectuați o operațiune în care accesoriul de tăiere poate intra în contact cu fire ascunse.** Accesoriul de tăiere care intră în contact cu un fir aflat sub tensiune poate pune sub tensiune componentele metalice neizolate ale mașinii electrice și poate produce un șoc electric asupra operatorului.
3. **Țineți mașina electrică numai de suprafețele de apucare izolate atunci când executați o operațiune la care organul de asamblare poate intra în contact cu cabluri ascunse.** Contactul organelor de asamblare cu un cablu aflat sub tensiune poate pune sub tensiune piesele metalice expuse ale mașinii electrice, conducând la electrocutarea operatorului.
4. **Păstrați-vă echilibrul. Asigurați-vă că nu se află nicio persoană dedesubt atunci când folosiți mașina la înălțime.**
5. **Țineți bine mașina.**
6. **Nu atingeți piesele în mișcare.**
7. **Nu lăsați mașina în funcțiune. Folosiți mașina numai când o țineți cu mâinile.**
8. **Nu atingeți capul de burghiu sau piesa de lucru imediat după operațiune; acestea pot fi foarte fierbinți și pot cauza arsuri ale pielii.**
9. **Unele materiale conțin substanțe chimice care pot fi toxice. Aveți grijă să nu inhalați praful și evitați contactul cu pielea. Respectați instrucțiunile de siguranță ale furnizorului.**

PĂSTRAȚI ACESTE INSTRUCȚIUNI.

⚠️ AVERTIZARE: NU permiteți comodității și familiarizării cu produsul (obținute prin utilizare repetată) să înlocuiască respectarea strictă a normelor de securitate pentru acest produs. **FOLOSIREA INCORECTĂ** sau nerespectarea normelor de securitate din acest manual de instrucțiuni poate provoca vătămări corporale grave.

Instrucțiuni importante privind siguranța pentru cartușul acumulatorului

1. **Înainte de a folosi cartușul acumulatorului, citiți toate instrucțiunile și atenționările de pe (1) încărcătorul acumulatorului, (2) acumulator și (3) produsul care folosește acumulatorul.**
2. **Nu dezmembrați cartușul acumulatorului.**
3. **Dacă timpul de funcționare s-a redus excesiv, întrerupeți imediat funcționarea.** Aceasta poate prezenta risc de supraîncălzire, posibile arsuri și chiar explozie.
4. **Dacă electrolitul pătrunde în ochi, clătiți bine ochii cu apă curată și consultați imediat un medic.** Există risc de orbire.
5. **Nu scurtcircuitați cartușul acumulatorului:**
 - (1) **Nu atingeți bornele cu niciun material conductor.**
 - (2) **Evitați depozitarea cartușului acumulatorului la un loc cu alte obiecte metalice cum ar fi cuie, monede etc.**
 - (3) **Nu expuneți cartușul acumulatorului la apă sau ploaie.****Un scurtcircuit al acumulatorului poate provoca un flux puternic de curent electric, supraîncălzire, posibile arsuri și chiar defectarea mașinii.**
6. **Nu depozitați mașina și cartușul acumulatorului în spații în care temperatura poate atinge sau depăși 50 °C (122 °F).**
7. **Nu incinerati cartușul acumulatorului chiar dacă acesta este grav deteriorat sau complet uzat. Cartușul acumulatorului poate exploda în foc.**
8. **Aveți grijă să nu scăpați sau să loviți acumulatorul.**
9. **Nu utilizați un acumulator deteriorat.**
10. **Acumulatorii Li-Ion încorporați se supun cerințelor Legislației privind substanțele periculoase.**

Pentru transporturi comerciale, efectuate de exemplu de către părți terțe, expeditori, trebuie respectate cerințele speciale de ambalare și etichetare. Pentru pregătirea articolului care urmează să fie expedit, este necesară consultarea unui expert în materiale periculoase. Vă rugăm să respectați, de asemenea, reglementările naționale, care pot fi mai detaliate.

Izolați sau acoperiți contactele deschise și împachetați acumulatorul în așa fel încât să nu se poată mișca în ambalaj.
11. **Respectați normele naționale privind eliminarea la deșeurile a acumulatorului.**

PĂSTRAȚI ACESTE INSTRUCȚIUNI.

ATENȚIE: Folosiți numai acumulatori Makita originali. Acumulatorii Makita care nu sunt originali și acumulatorii care au suferit modificări se pot aprinde, provocând incendii, leziuni corporale și daune. De asemenea, anulează garanția oferită de Makita pentru unalta și încărcătorul Makita.

Sfaturi pentru obținerea unei durate maxime de exploatare a acumulatorului

1. **Încărcați cartușul acumulatorului înainte de a se descărca complet.** Întrerupeți întotdeauna funcționarea mașinii și încărcați cartușul acumulatorului când observați o scădere a puterii mașinii.
2. **Nu reîncărcați niciodată un acumulator complet încărcat.** Supraîncărcarea va scurta durata de exploatare a acumulatorului.
3. **Încărcați cartușul acumulatorului la temperatura camerei, între 10 °C - 40 °C (50 °F - 104 °F).** Lăsați un acumulator fierbinte să se răcească înainte de a-l încărca.
4. **Încărcați cartușul acumulatorului în cazul în care nu a fost utilizat pe o perioadă mai lungă (mai mult de șase luni).**

DESCRIEREA FUNCȚIILOR

ATENȚIE: Asigurați-vă întotdeauna că mașina este oprită și cartușul acumulatorului este scos înainte de a ajusta sau verifica funcționarea mașinii.

Instalarea sau scoaterea cartușului acumulatorului

ATENȚIE: Opriti întotdeauna mașina înainte de montarea sau demontarea cartușului de acumulator.

ATENȚIE: Țineți ferm mașina și cartușul acumulatorului la montarea sau demontarea cartușului. În cazul în care nu țineți ferm mașina și cartușul de acumulator, acestea vă pot aluneca din mâini, rezultând defectarea mașinii și cartușului de acumulator, precum și în accidentări personale.

► **Fig.1:** 1. Indicator roșu 2. Buton 3. Cartușul acumulatorului

Pentru a scoate cartușul acumulatorului, glisați-l din mașină în timp ce glisați butonul de pe partea frontală a cartușului.

Pentru a instala cartușul acumulatorului, aliniați limba de pe cartușul acumulatorului cu canelura din carcasă și introduceți-l în locaș. Introduceți-l complet, până când se înclichetează în locaș. Dacă puteți vedea indicatorul roșu din partea superioară a butonului, acesta nu este blocat complet.

ATENȚIE: Instalați întotdeauna cartușul acumulatorului complet, până când indicatorul roșu nu mai este vizibil. În caz contrar, acesta poate cădea accidental din mașină provocând rănirea dumneavoastră sau a persoanelor din jur.

ATENȚIE: Nu forțați cartușul acumulatorului la montare. Dacă acesta nu glicează ușor, înseamnă că a fost introdus incorect.

Sistemul de protecție a acumulatorului

Acumulatorii litiu-ion cu marcaj stea

► **Fig.2:** 1. Marcaj stea

Acumulatorii litiu-ion cu un marcaj stea sunt dotați cu un sistem de protecție. Acest sistem oprește automat alimentarea mașinii pentru a prelungi durata de viață a acumulatorului.

Mașina se va opri automat în timpul funcționării când mașina și/sau acumulatorul se află într-una din situațiile următoare:

Suprasarcină:

Mașina este operată într-o manieră care determină atragerea unui curent de o intensitate anormal de ridicată.

În această situație, opriți mașina și aplicația care a dus la suprasolicitarea mașinii. Apoi reporniți mașina.

Dacă mașina nu pornește, acumulatorul este supraîncălzit. În această situație, lăsați acumulatorul să se răcească înainte de a reporni mașina.

Tensiune scăzută acumulator:

Capacitatea rămasă a acumulatorului este prea mică, iar mașina nu va funcționa. În această situație, scoateți și reîncărcați acumulatorul.




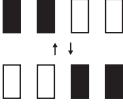
Indicarea capacității rămase a acumulatorului

Numai pentru cartuș de acumulator cu litera „B” la finalul denumirii modelului.

► **Fig.3:** 1. Lămpi indicatoare 2. Buton de verificare

Apăsăți butonul de verificare de pe cartușul acumulatorului, astfel încât să se indice capacitățile rămase ale acumulatorului. Lămpile indicatorului vor lumina timp de câteva secunde.

Lămpi indicatoare			Capacitate rămasă
Iluminat	Oprit	Iluminare intermitentă	
■	□	▨	între 75% și 100%
■	■	□	între 50% și 75%
■	□	□	între 25% și 50%
■	□	□	între 0% și 25%
▨	□	□	Încărcați acumulatorul.

Lămpi indicatoare			Capacitate rămasă
 iluminat	 Oprit	 Iluminare intermitentă	
			Este posibil ca acumulatorul să fie defect.

NOTĂ: În funcție de condițiile de utilizare și temperatura ambientală, indicația poate fi ușor diferită de capacitatea reală.

Aționarea întrerupătorului

► Fig.4: 1. Buton declanșator

ATENȚIE: Înainte de a introduce cartușul acumulatorului în mașină, verificați întotdeauna dacă butonul declanșator funcționează corect și revine în poziția „OFF” (oprit) când este eliberat.

Pentru a porni mașina, trageți de butonul declanșator. Viteza mașinii poate fi crescută prin creșterea forței de apăsare pe butonul declanșator. Eliberați butonul declanșator pentru a opri mașina.

Aprinderea lămpii frontale

► Fig.5: 1. Lampă

ATENȚIE: Nu priviți direct în raza sau în sursa de lumină.

Apăsăți butonul declanșator pentru a aprinde lampa. Lampa continuă să lumineze atât timp cât butonul declanșator este apăsat. Lampa se stinge la 10 -15 secunde după eliberarea butonului declanșator.

NOTĂ: Folosiți o lavetă uscată pentru a șterge murdăria de pe lentila lămpii. Aveți grijă să nu zgâriați lentila lămpii deoarece, în caz contrar, iluminarea va fi redusă.

Funcția inversorului

► Fig.6: 1. Pârghie de inversor

ATENȚIE: Verificați întotdeauna sensul de rotație înainte de utilizare.

ATENȚIE: Folosiți inversorul numai după ce mașina s-a oprit complet. Schimbarea sensului de rotație înainte de oprirea mașinii poate avaria mașina.

ATENȚIE: Atunci când nu folosiți mașina, deplasați întotdeauna pârghia inversorului în poziția neutră.

Această mașină dispune de un inversor pentru schimbarea sensului de rotație. Apăsăți pârghia inversorului în poziția A pentru rotire în sens orar sau în poziția B pentru rotire în sens antiorar.

Când pârghia inversorului se află în poziție neutră, butonul declanșator nu poate fi apăsat.

Schimbarea vitezei

► Fig.7: 1. Pârghie de schimbare a vitezei

ATENȚIE: Deplasați întotdeauna complet pârghia de schimbare a vitezei în poziția corectă. Dacă folosiți mașina cu pârghia de schimbare a vitezei poziționată intermediar între poziția „1” și poziția „2”, mașina poate fi avariata.

ATENȚIE: Nu folosiți pârghia de schimbare a vitezei în timpul funcționării mașinii. Mașina poate fi avariata.

Poziția pârghiei de schimbare a vitezei	Viteză	Cuplu	Tip de operare aplicabil
1	Turație joasă	Turație înaltă	Operare la sarcină ridicată
2	Turație înaltă	Turație joasă	Operare la sarcină redusă

Pentru a schimba viteza, opriți mai întâi mașina. Selectați poziția „2” pentru viteză ridicată sau „1” pentru viteză redusă și cuplu ridicat. Asigurați-vă că pârghia de schimbare a vitezei se află în poziția corectă înainte de utilizare.

Dacă viteza mașinii scade extrem de mult în timpul utilizării în poziția „2”, glisati maneta în poziția „1” și reluați operația.

Reglarea cuplului de strângere

► Fig.8: 1. Inel de reglare 2. Gradație 3. Săgeată

Cuplul de strângere poate fi reglat în 22 trepte prin rotirea inelului de reglare. Aliniați gradațiile cu săgeata de pe corpul mașinii. Puteți obține momentul de strângere minim în poziția 1 și momentul maxim la marcajul 21. Ambreiajul va pătrunde la diferite valori ale cuplului de strângere, dacă este reglat între valorile 1 și 21. Ambreiajul nu funcționează la marcajul 1.

Înainte de folosirea propriu-zisă, înșurubați un șurub de probă în materialul dvs. sau într-o bucată de material identic pentru a determina valoarea cuplului de strângere necesară pentru o anumită utilizare.

În continuare este prezentat un ghid aproximativ al relației dintre dimensiunea șurubului și gradație.

Gradație		1	2	3	4	5	6	7	8	9	10	11	12	13	14	15	16	17	18	19	20	21
Șurub mecanic		M4					M5										M6					
Șurub pentru lemn	Lemn moale (de ex., pin)	-					φ3,5 x 22					φ4,1 x 38					-					
	Lemn dur (de ex., mahon)	-					φ3,5 x 22					φ4,1 x 38					-					

ASAMBLARE

⚠ATENȚIE: Asigurați-vă întotdeauna că mașina este oprită și cartușul acumulatorului este scos înainte de a executa orice lucrări la mașină.

Montarea sau demontarea capului de acționare/capului de burghiu

► Fig.9: 1. Manșon 2. Închis 3. Deschis

Rotiți manșonul în sens antiorar pentru a deschide fălcile mandrinei. Introduceți capul de acționare/capul de burghiu în mandrină până când se oprește. Rotiți manșonul în sens orar pentru a strânge mandrina. Pentru a scoate capul de acționare/capul de burghiu, rotiți manșonul în sens antiorar.

Instalarea cârligului

► Fig.10: 1. Canelură 2. Cârlig 3. Șurub

Cârligul este util pentru suspendarea temporară a mașinii. Acesta poate fi instalat pe oricare latură a mașinii. Pentru a instala cârligul, introduceți-l într-o canelură din carcasa mașinii de pe oricare latură și fixați-l cu un șurub. Pentru demontare, slăbiți șurubul și apoi scoateți-l.

Instalarea suportului capului de acționare

Acesoriu opțional

► Fig.11: 1. Suport cap de acționare 2. Cap de acționare

Introduceți suportul capului de acționare în proeminența de la baza mașinii, în partea dreaptă sau stângă, și fixați-l cu un șurub.

Atunci când nu folosiți capul de acționare, păstrați-l în suport. Aici pot fi păstrate capete de acționare cu o lungime de 45 mm.

OPERAREA

⚠ATENȚIE: Introduceți întotdeauna complet cartușul acumulatorului până când se blochează în locaș. Dacă puteți vedea indicatorul roșu din partea superioară a butonului, acesta nu este blocat complet. Introduceți-l complet, până când indicatorul roșu nu mai este vizibil. În caz contrar, acesta poate cădea accidental din mașină provocând rănirea dumneavoastră sau a persoanelor din jur.

⚠ATENȚIE: Când viteza scade extrem de mult, reduceți sarcina sau opriți mașina, pentru a preveni defectarea acesteia.

Țineți mașina ferm cu o mână de mână și cu cealaltă mână de partea inferioară a cartușului acumulatorului, pentru a contracara mișcarea de torsiune.

► Fig.12

Înșurubarea


⚠ATENȚIE: Ajustați inelul de reglare la valoarea corectă a cuplului de strângere pentru lucrarea dvs.

⚠ATENȚIE: Asigurați-vă că ați introdus drept capul de acționare în capul șurubului, în caz contrar șurubul și/sau capul de acționare se pot/ poate deteriora.

Poziționați vârful capului de acționare în capul șurubului și apăsați pe mașină. Porniți mașina încet și apoi mărită treptat viteza. Eliberați butonul declanșator imediat ce ambreiajul intervine.

NOTĂ: La înfiletarea unui șurub pentru lemn, efectuați în prealabil o gaură pilot cu un diametru de 2/3 din diametrul șurubului. În acest fel, găurirea va fi mai ușoară și se previne despicarea piesei de lucru.

Găurirea

Mai întâi, rotiți inelul de reglare astfel încât indicatorul să indice spre marcajul . Apoi, procedați după cum urmează.

Găurirea lemnului

Când găuriți lemn, obțineți cele mai bune rezultate cu burghiele de lemn dotate cu șurub de ghidaj. Șurubul de ghidare ușurează găurirea trăgând capul de burghiu în piesa de prelucrat.

Găurirea metalului

Pentru a preveni alunecarea capului de burghiu atunci când începeți găurirea, realizați o adâncitură cu un dorn și un ciocan în punctul în care se va găuri. Așezați vârful capului de burghiu în adâncitură și începeți găurirea. Folosiți un lubrifiant de tăiere atunci când găuriți metale. Excepție fac fierul și alama, care trebuie găurite pe uscat.

ATENȚIE: Aplicarea unei forțe excesive asupra mașinii nu va grăbi operațiunea de găurire. De fapt, presiunea excesivă nu va face decât să deterioreze burghiul, reducând performanțele mașinii și durata de viață a acesteia.

ATENȚIE: Țineți mașina ferm și procedați cu atenție atunci când capul de burghiu trece prin piesa de prelucrat. Asupra mașinii/capului de burghiu este exercitată o forță enormă în momentul în care gaura este străpunsă.

ATENȚIE: Un cap de burghiu blocat se poate debloca prin simpla setare a inversorului pentru rotația în sens invers, pentru retragere. Totuși, mașina se poate retrage brusc dacă nu o țineți ferm.

ATENȚIE: Piesele mici trebuie fixate întotdeauna cu o menghină sau cu un alt dispozitiv similar de fixare.

ATENȚIE: Dacă mașina este folosită continuu până la descărcarea cartușului acumulatorului, lăsați mașina în repaus timp de 15 minute înainte de a continua cu un acumulator nou.

ÎNȚEȚINERE

ATENȚIE: Asigurați-vă întotdeauna că mașina este oprită și cartușul acumulatorului scos înainte de a executa lucrările de inspecție și întreținere.

NOTĂ: Nu utilizați niciodată gazolină, benzină, diluant, alcool sau alte substanțe asemănătoare. În caz contrar, pot rezulta decolorări, deformări sau fisuri.

Înlocuirea periiilor de cărbune

► Fig.13: 1. Marcaj limită

Verificați periiile de cărbune în mod regulat. Înlocuiți-le atunci când s-au uzat până la marcajul limită. Periiile de cărbune trebuie să fie în permanență curate și să alunece cu ușurință în suport. Ambele perii de cărbune trebuie înlocuite simultan. Folosiți numai perii de cărbune identice.

1. Folosiți o șurubelniță pentru a scoate cele două șuruburi, apoi scoateți capacul posterior.

► Fig.14: 1. Capac posterior 2. Șurub

2. Ridicați piesa cu braț a arcului și introduceți-o în piesa cu degajare a carcasei cu o șurubelniță cu vârf plat cu tijă subțire sau ceva asemănător.

► Fig.15: 1. Piesă cu degajare 2. Arc 3. Braț

3. Folosiți un clește pentru a îndepărta capacele periiilor de cărbune. Scoateți periiile de cărbune uzate, introduceți-le pe cele noi și reinstalați capacele periiilor de cărbune.

► Fig.16: 1. Capacul periei de cărbune

4. Asigurați-vă că așezați cablul electric în partea opusă a brațului.

► Fig.17: 1. Cablu electric 2. Capacul periei de cărbune

5. Asigurați-vă s-au fixat bine capacele periiilor de cărbune în orificiile din suporturile periiilor.

► Fig.18: 1. Orificiu 2. Capacul periei de cărbune

6. Reinstalați capacul posterior și strângeți ferm cele două șuruburi.

7. Introduceți cartușul acumulatorului în mașină și rotați periiile lăsând mașina să funcționeze în gol timp de circa 1 minut.

8. Apoi verificați mașina în timpul funcționării și funcționarea frânei electrice la eliberarea butonului declanșator. Dacă frâna electrică nu funcționează corespunzător, solicitați repararea mașinii la centre de service Makita autorizate sau proprii.

Pentru a menține SIGURANȚA și FIABILITATEA produsului, reparațiile și orice alte lucrări de întreținere sau reglare trebuie executate de centre de service Makita autorizate sau proprii, folosind întotdeauna piese de schimb Makita.

ACCESORII OPȚIONALE

ATENȚIE: Folosiți accesoriile sau piesele auxiliare recomandate pentru mașina dumneavoastră Makita în acest manual. Utilizarea oricăror alte accesorii sau piese auxiliare poate prezenta risc de vătămare corporală. Utilizați accesoriile și piesele auxiliare numai în scopul destinat.

Dacă aveți nevoie de asistență sau de mai multe detalii referitoare la aceste accesorii, adresați-vă centrului local de service Makita.

- Capete de burghiu
- Capete de acționare
- Suport cap de acționare
- Cârlig
- Acumulator și încărcător original Makita

NOTĂ: Unele articole din listă pot fi incluse ca accesorii standard în ambalajul de scule. Acestea pot diferi în funcție de țară.

TECHNISCHE DATEN

Modell:		DDF482
Bohrkapazitäten	Stahl	13 mm
	Holz	38 mm
Anzugskapazitäten	Holzschraube	10 mm x 90 mm
	Maschinenschraube	M6
Leerlaufdrehzahl	Hoch (2)	0 - 1.900 min ⁻¹
	Niedrig (1)	0 - 600 min ⁻¹
Gesamtlänge		185 mm
Nennspannung		18 V Gleichstrom
Akku		BL1815N, BL1820, BL1820B BL1830, BL1840, BL1850, BL1830B, BL1840B, BL1850B, BL1860B
Nettogewicht		1,5 kg 1,7 kg

- Wir behalten uns vor, Änderungen der technischen Daten im Zuge der Entwicklung und des technischen Fortschritts ohne vorherige Ankündigung vorzunehmen.
- Die technischen Daten und der Akku können von Land zu Land unterschiedlich sein.
- Gewicht mit Akku nach EPTA-Verfahren 01/2003

Vorgesehene Verwendung

Das Werkzeug ist für Bohren und Schrauben in Holz, Metall und Kunststoff vorgesehen.

Geräusch

Typischer A-bewerteter Geräuschpegel ermittelt gemäß EN60745:

Schalldruckpegel (L_{pA}): 75 dB (A)
Messunsicherheit (K): 3 dB (A)

Der Geräuschpegel kann während des Betriebs 80 dB (A) überschreiten.

⚠️ WARNUNG: Einen Gehörschutz tragen.

Schwingungen

Schwingungsgesamtwert (Drei-Achsen-Vektorsumme) ermittelt gemäß EN60745:

Arbeitsmodus: Bohren in Metall
Schwingungsemission (a_{n,D}): 2,5 m/s² oder weniger
Messunsicherheit (K): 1,5 m/s²

HINWEIS: Der angegebene Schwingungsemissionswert wurde im Einklang mit der Standardprüfmethode gemessen und kann für den Vergleich zwischen Werkzeugen herangezogen werden.

HINWEIS: Der angegebene Schwingungsemissionswert kann auch für eine Vorbewertung des Gefährdungsgrads verwendet werden.

⚠️ WARNUNG: Die Schwingungsemission während der tatsächlichen Benutzung des Elektrowerkzeugs kann je nach der Benutzungsweise des Werkzeugs vom angegebenen Emissionswert abweichen.

⚠️ WARNUNG: Identifizieren Sie Sicherheitsmaßnahmen zum Schutz des Benutzers anhand einer Schätzung des Gefährdungsgrads unter den tatsächlichen Benutzungsbedingungen (unter Berücksichtigung aller Phasen des Arbeitszyklus, wie z. B. Ausschalt- und Leerlaufzeiten des Werkzeugs zusätzlich zur Betriebszeit).

EG-Konformitätserklärung

Nur für europäische Länder

Makita erklärt, dass die folgende(n) Maschine(n):
Bezeichnung der Maschine: Akku-Bohrschrauber
Modell-Nr./Typ: DDF482

Entspricht den folgenden europäischen Richtlinien:
2006/42/EG

Sie werden gemäß den folgenden Standards oder standardisierten Dokumenten hergestellt: EN60745
Die technische Akte in Übereinstimmung mit 2006/42/EG ist erhältlich von:

Makita, Jan-Baptist Vinkstraat 2, 3070, Belgien
30.3.2015



Yasushi Fukaya
Direktor
Makita, Jan-Baptist Vinkstraat 2, 3070, Belgien

Allgemeine Sicherheitswarnungen für Elektrowerkzeuge

⚠️ WARNUNG: Lesen Sie alle Sicherheitswarnungen und Anweisungen durch. Eine Missachtung der unten aufgeführten Warnungen und Anweisungen kann zu einem elektrischen Schlag, Brand und/oder schweren Verletzungen führen.

Bewahren Sie alle Warnungen und Anweisungen für spätere Bezugnahme auf.

Der Ausdruck „Elektrowerkzeug“ in den Warnhinweisen bezieht sich auf Ihr mit Netzstrom (mit Kabel) oder Akku (ohne Kabel) betriebenes Elektrowerkzeug.

Sicherheitswarnungen für Akku-Bohrschrauber

1. **Benutzen Sie (einen) Zusatzgriff(e), sofern er (sie) mit dem Werkzeug geliefert wurde(n).** Verlust der Kontrolle kann Personenschäden verursachen.
2. **Halten Sie das Elektrowerkzeug an den isolierten Griffflächen, wenn Sie Arbeiten ausführen, bei denen die Gefahr besteht, dass das Schneidwerkzeug verborgene Kabel kontaktiert.** Bei Kontakt mit einem Strom führenden Kabel können die freiliegenden Metallteile des Elektrowerkzeugs ebenfalls Strom führend werden, so dass der Benutzer einen elektrischen Schlag erleiden kann.
3. **Halten Sie das Elektrowerkzeug an den isolierten Griffflächen, wenn Sie Arbeiten ausführen, bei denen die Gefahr besteht, dass das Befestigungselement verborgene Kabel kontaktiert.** Bei Kontakt mit einem Strom führenden Kabel können die freiliegenden Metallteile des Elektrowerkzeugs ebenfalls Strom führend werden, so dass der Benutzer einen elektrischen Schlag erleiden kann.
4. **Achten Sie stets auf sicheren Stand.** Vergewissern Sie sich bei Einsatz des Werkzeugs an hochgelegenen Arbeitsplätzen, dass sich keine Personen darunter aufhalten.
5. **Halten Sie das Werkzeug mit festem Griff.**
6. **Halten Sie Ihre Hände von rotierenden Teilen fern.**
7. **Lassen Sie das Werkzeug nicht unbeaufsichtigt laufen. Benutzen Sie das Werkzeug nur mit Handhaltung.**
8. **Vermeiden Sie eine Berührung des Bohrereinsatzes oder des Werkstücks unmittelbar nach der Bearbeitung, weil die Teile noch sehr heiß sind und Hautverbrennungen verursachen können.**
9. **Manche Materialien können giftige Chemikalien enthalten. Treffen Sie Vorsichtsmaßnahmen, um das Einatmen von Arbeitsstaub und Hautkontakt zu verhindern. Befolgen Sie die Sicherheitsdaten des Materiallieferanten.**

DIESE ANWEISUNGEN AUFBEWAHREN.

⚠️ WARNUNG: Lassen Sie sich NICHT durch Bequemlichkeit oder Vertrautheit mit dem Produkt (durch wiederholten Gebrauch erworben) von der strikten Einhaltung der Sicherheitsregeln für das vorliegende Produkt abhalten. MISSBRAUCH oder Missachtung der Sicherheitsvorschriften in dieser Anleitung können schwere Verletzungen verursachen.

Wichtige Sicherheitsanweisungen für Akku

1. **Lesen Sie vor der Benutzung des Akkus alle Anweisungen und Warnhinweise, die an (1) Ladegerät, (2) Akku und (3) Akkuwerkzeug angebracht sind.**
2. **Unterlassen Sie ein Zerlegen des Akkus.**
3. **Falls die Betriebszeit beträchtlich kürzer geworden ist, stellen Sie den Betrieb sofort ein. Anderenfalls besteht die Gefahr von Überhitzung, möglichen Verbrennungen und sogar einer Explosion.**
4. **Falls Elektrolyt in Ihre Augen gelangt, waschen Sie sie mit sauberem Wasser aus, und begeben Sie sich unverzüglich in ärztliche Behandlung. Anderenfalls können Sie Ihre Sehkraft verlieren.**
5. **Der Akku darf nicht kurzgeschlossen werden:**
 - (1) **Die Kontakte dürfen nicht mit leitfähigem Material berührt werden.**
 - (2) **Lagern Sie den Akku nicht in einem Behälter zusammen mit anderen Metallgegenständen, wie z. B. Nägel, Münzen usw.**
 - (3) **Setzen Sie den Akku weder Wasser noch Regen aus.**

Ein Kurzschluss des Akkus verursacht starken Stromfluss, der Überhitzung, mögliche Verbrennungen und einen Defekt zur Folge haben kann.
6. **Lagern Sie das Werkzeug und den Akku nicht an Orten, an denen die Temperatur 50 °C erreichen oder überschreiten kann.**
7. **Versuchen Sie niemals, den Akku zu verbrennen, selbst wenn er stark beschädigt oder vollkommen verbraucht ist. Der Akku kann im Feuer explodieren.**
8. **Achten Sie darauf, dass der Akku nicht fallen gelassen oder Stößen ausgesetzt wird.**
9. **Benutzen Sie keine beschädigten Akkus.**
10. **Die enthaltenen Lithium-Ionen-Akkus unterliegen den Anforderungen der Gefahrengut-Gesetzgebung. Für kommerzielle Transporte, z. B. durch Dritte oder Spediteure, müssen besondere Anforderungen zu Verpackung und Etikettierung beachtet werden. Zur Vorbereitung des zu transportierenden Artikels ist eine Beratung durch einen Experten für Gefahrengut erforderlich. Bitte beachten Sie möglicherweise ausführlichere nationale Vorschriften. Überkleben oder verdecken Sie offene Kontakte, und verpacken Sie den Akku so, dass er sich in der Verpackung nicht umher bewegen kann.**
11. **Befolgen Sie die örtlichen Bestimmungen bezüglich der Entsorgung von Akkus.**

DIESE ANWEISUNGEN AUFBEWAHREN.

⚠ VORSICHT: Verwenden Sie nur **Original-Makita-Akkus**. Die Verwendung von Nicht-Original-Makita-Akkus oder von Akkus, die abgeändert worden sind, kann zum Bersten des Akkus und daraus resultierenden Bränden, Personenschäden und Beschädigung führen. Außerdem wird dadurch die Makita-Garantie für das Makita-Werkzeug und -Ladegerät ungültig.

Hinweise zur Aufrechterhaltung der maximalen Akku-Nutzungsdauer

1. **Laden Sie den Akku, bevor er vollkommen erschöpft ist. Schalten Sie das Werkzeug stets aus, und laden Sie den Akku, wenn Sie ein Nachlassen der Werkzeulleistung feststellen.**
2. **Unterlassen Sie erneutes Laden eines voll aufgeladenen Akkus. Überladen führt zu einer Verkürzung der Nutzungsdauer des Akkus.**
3. **Laden Sie den Akku bei Raumtemperatur zwischen 10 – 40 °C. Lassen Sie einen heißen Akku abkühlen, bevor Sie ihn laden.**
4. **Der Akku muss geladen werden, wenn er lange Zeit (länger als sechs Monate) nicht benutzt wird.**

FUNKTIONSBESCHREIBUNG

⚠ VORSICHT: Vergewissern Sie sich vor der Durchführung von Einstellungen oder Funktionsprüfungen des Werkzeugs stets, dass das Werkzeug ausgeschaltet und der Akku abgenommen ist.

Anbringen und Abnehmen des Akkus

⚠ VORSICHT: Schalten Sie das Werkzeug stets aus, bevor Sie den Akku anbringen oder abnehmen.

⚠ VORSICHT: Halten Sie das Werkzeug und den Akku beim Anbringen oder Abnehmen des Akkus sicher fest. Wenn Sie das Werkzeug und den Akku nicht sicher festhalten, können sie Ihnen aus der Hand rutschen, was zu einer Beschädigung des Werkzeugs und des Akkus und zu Körperverletzungen führen kann.

► **Abb.1:** 1. Rote Anzeige 2. Knopf 3. Akku

Ziehen Sie den Akku zum Abnehmen vom Werkzeug ab, während Sie den Knopf an der Vorderseite des Akkus verschieben.

Richten Sie zum Anbringen des Akkus dessen Führungsfeder auf die Nut im Gehäuse aus, und schieben Sie den Akku hinein. Schieben Sie ihn vollständig ein, bis er mit einem hörbaren Klicken einrastet. Falls die rote Anzeige an der Oberseite des Knopfes sichtbar ist, ist der Akku nicht vollständig verriegelt.

⚠ VORSICHT: Schieben Sie den Akku stets bis zum Anschlag ein, bis die rote Anzeige nicht mehr sichtbar ist. Anderenfalls kann er aus dem Werkzeug herausfallen und Sie oder umstehende Personen verletzen.

⚠ VORSICHT: Unterlassen Sie **Gewaltanwendung beim Anbringen des Akkus**. Falls der Akku nicht reibungslos hineingleitet, ist er nicht richtig ausgerichtet.

Akku-Schutzsystem

Lithium-Ionen-Akku mit Sternsymbol

► **Abb.2:** 1. Sternsymbol

Lithium-Ionen-Akkus mit Sternsymbol sind mit einem Schutzsystem ausgestattet. Dieses System schaltet die Stromversorgung des Werkzeugs automatisch ab, um die Akku-Lebensdauer zu verlängern.

Das Werkzeug schaltet sich während des Betriebs automatisch ab, wenn Werkzeug und/oder Akku einer der folgenden Bedingungen unterliegen:

Überlastung:

Das Werkzeug wird auf eine Weise benutzt, die eine ungewöhnlich hohe Stromaufnahme bewirkt. Schalten Sie in dieser Situation das Werkzeug aus, und brechen Sie die Arbeit ab, die eine Überlastung des Werkzeugs verursacht hat. Schalten Sie dann das Werkzeug wieder ein, um neu zu starten. Falls das Werkzeug nicht startet, ist der Akku überhitzt. Lassen Sie den Akku in dieser Situation abkühlen, bevor Sie das Werkzeug wieder einschalten.

Niedrige Akkuspannung:













Die Akku-Restkapazität ist zu niedrig, und das Werkzeug funktioniert nicht. Nehmen Sie in dieser Situation den Akku ab, und laden Sie ihn auf.




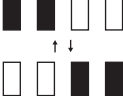
Anzeigen der Akku-Restkapazität

Nur für Akkus mit „B“ am Ende der Modellnummer

► **Abb.3:** 1. Anzeigelampen 2. Prüftaste

Drücken Sie die Prüftaste am Akku, um die Akku-Restkapazität anzuzeigen. Die Anzeigelampen leuchten wenige Sekunden lang auf.

Anzeigelampen			Restkapazität
			
			75 % bis 100 %
			50% bis 75%
			25% bis 50%
			0% bis 25%
			Den Akku aufladen.

Anzeigelampen			Restkapazität
 Erleuchtet	 Aus	 Blinkend	
			Möglicherweise liegt eine Funktionsstörung im Akku vor.

HINWEIS: Abhängig von den Benutzungsbedingungen und der Umgebungstemperatur kann die Anzeige geringfügig von der tatsächlichen Kapazität abweichen.

Schalterfunktion

► **Abb.4:** 1. Ein-Aus-Schalter

⚠ VORSICHT: Vergewissern Sie sich vor dem Einsetzen des Akkus in das Werkzeug stets, dass der Ein-Aus-Schalter ordnungsgemäß funktioniert und beim Loslassen in die AUS-Stellung zurückkehrt.

Drücken Sie zum Einschalten des Werkzeugs einfach den Ein-Aus-Schalter. Die Drehzahl erhöht sich durch verstärkte Druckausübung auf den Ein-Aus-Schalter. Lassen Sie den Ein-Aus-Schalter zum Anhalten los.

Einschalten der Frontlampe

► **Abb.5:** 1. Lampe

⚠ VORSICHT: Blicken Sie nicht direkt in die Lampe oder die Lichtquelle.

Betätigen Sie den Ein-Aus-Schalter, um die Lampe einzuschalten. Die Lampe bleibt erleuchtet, solange der Ein-Aus-Schalter gedrückt gehalten wird. Die Lampe erlischt 10 - 15 Sekunden nach dem Loslassen des Ein-Aus-Schalters.

HINWEIS: Wischen Sie Schmutz auf der Lampenlinse mit einem trockenen Tuch ab. Achten Sie sorgfältig darauf, dass Sie die Lampenlinse nicht verkratzen, weil sich sonst die Lichtstärke verringert.

Funktion des Drehrichtungsumschalters

► **Abb.6:** 1. Drehrichtungsumschalthebel

⚠ VORSICHT: Prüfen Sie stets die Drehrichtung, bevor Sie mit der Arbeit beginnen.

⚠ VORSICHT: Betätigen Sie den Drehrichtungsumschalter erst, nachdem das Werkzeug völlig zum Stillstand gekommen ist. Durch Umschalten der Drehrichtung bei noch laufendem Werkzeug kann das Werkzeug beschädigt werden.

⚠ VORSICHT: Stellen Sie den Drehrichtungsumschalthebel stets auf die Neutralstellung, wenn Sie das Werkzeug nicht benutzen.

Dieses Werkzeug besitzt einen Drehrichtungsumschalter. Drücken Sie auf die Seite A des Drehrichtungsumschalthebels für Rechtsdrehung, und auf die Seite B für Linksdrehung. In der Neutralstellung des Drehrichtungsumschalthebels ist der Ein-Aus-Schalter verriegelt.

Drehzahl-Umschaltung

► **Abb.7:** 1. Drehzahlumschalthebel

⚠ VORSICHT: Achten Sie stets darauf, dass sich der Drehzahlumschalthebel vollkommen in seiner jeweiligen Rastposition befindet. Wird das Werkzeug bei einer Zwischenstellung des Drehzahlumschalters zwischen den Positionen „1“ und „2“ betrieben, kann es beschädigt werden.

⚠ VORSICHT: Betätigen Sie den Drehzahlumschalthebel nicht während des Betriebs des Werkzeugs. Das Werkzeug kann sonst beschädigt werden.


Position des Drehzahlumschalthebels	Drehzahl	Drehmoment	Zutreffender Betrieb
1	Niedrig	Hoch	Betrieb mit schwerer Last
2	Hoch	Niedrig	Betrieb mit leichter Last


Zum Ändern der Drehzahl muss das Werkzeug zuerst ausgeschaltet werden. Wählen Sie die Seite „2“ für hohe Drehzahl, oder „1“ für niedrige Drehzahl, aber hohes Drehmoment. Vergewissern Sie sich vor Arbeitsbeginn stets, dass sich der Drehzahlumschalthebel in der korrekten Stellung befindet.

Falls die Werkzeugdrehzahl während des Betriebs mit „2“ sehr stark abfällt, schieben Sie den Hebel auf die Position „1“, und starten Sie den Betrieb neu.

Einstellen des Anzugsmoments

► **Abb.8:** 1. Einstellung 2. Teilstrich 3. Pfeil

Das Anzugsmoment kann durch Drehen des Einstellrings in 22 Stufen eingestellt werden. Richten Sie die Teilstriche auf den Pfeil am Werkzeuggehäuse aus. Das minimale Anzugsmoment erhält man bei 1, und das maximale bei dem Symbol .

In den Stellungen 1 bis 21 rutscht die Kupplung bei Erreichen des Soll Drehmoments durch. Bei Einstellung auf das Symbol  ist die Kupplung funktionsunfähig.

Bevor Sie mit der eigentlichen Schraubarbeit beginnen, sollten Sie eine Probeverschraubung mit Ihrem Material oder einem Stück des gleichen Materials durchführen, um das geeignete Anzugsmoment zu ermitteln.

Die nachstehende Tabelle zeigt die Beziehung zwischen der Schraubengröße und dem Teilstrich als grober Anhaltspunkt.

Teilstrich		1	2	3	4	5	6	7	8	9	10	11	12	13	14	15	16	17	18	19	20	21
Maschinenschraube		M4					M5										M6					
Holzschraube	Weichholz (z. B. Kiefer)	-					$\phi 3,5 \times 22$					$\phi 4,1 \times 38$					-					
	Hartholz (z. B. Lauan)	-					$\phi 3,5 \times 22$					$\phi 4,1 \times 38$					-					

MONTAGE

⚠ VORSICHT: Vergewissern Sie sich vor der Ausführung von Arbeiten am Werkzeug stets, dass das Werkzeug ausgeschaltet und der Akku abgenommen ist.

Montage und Demontage von Schraubendrehereinsatz/Bohrereinsatz

► **Abb.9:** 1. Werkzeugaufnahme 2. Schließen 3. Öffnen

Drehen Sie die Werkzeugaufnahme entgegen dem Uhrzeigersinn, um das Spannfutter zu öffnen. Führen Sie den Schraubendrehereinsatz/Bohrereinsatz bis zum Anschlag in das Spannfutter ein. Drehen Sie die Werkzeugaufnahme im Uhrzeigersinn, um das Spannfutter festzuziehen. Zum Entfernen des Schraubendrehereinsatzes/Bohrereinsatzes drehen Sie die Werkzeugaufnahme entgegen dem Uhrzeigersinn.

Montieren des Aufhängers

► **Abb.10:** 1. Führungsnut 2. Aufhänger 3. Schraube

Der Aufhänger ist praktisch, um das Werkzeug vorübergehend aufzuhängen. Der Aufhänger kann auf beiden Seiten des Werkzeugs angebracht werden. Um den Aufhänger anzubringen, führen Sie ihn in die Nut entweder auf der linken oder rechten Seite des Werkzeuggehäuses ein, und sichern Sie ihn dann mit einer Schraube. Um den Aufhänger zu entfernen, lösen Sie die Schraube, und nehmen Sie dann den Aufhänger heraus.

Montieren des Schraubendreher-Einsatzhalters

Sonderzubehör

► **Abb.11:** 1. Schraubendreher-Einsatzhalter 2. Schraubendrehereinsatz

Stecken Sie den Schraubendreher-Einsatzhalter auf den Vorsprung am Werkzeugfuß entweder auf der rechten oder linken Seite, und sichern Sie ihn mit einer Schraube.

Wenn Sie den Schraubendrehereinsatz nicht benutzen, bewahren Sie ihn in den Schraubendreher-Einsatzhaltern auf. Schraubendrehereinsätze von 45 mm Länge können dort aufbewahrt werden.

BETRIEB

⚠ VORSICHT: Führen Sie den Akku immer vollständig ein, bis er einrastet. Falls die rote Anzeige an der Oberseite des Knopfes sichtbar ist, ist der Akku nicht vollständig verriegelt. Schieben Sie ihn bis zum Anschlag ein, bis die rote Anzeige nicht mehr sichtbar ist. Andernfalls kann er aus dem Werkzeug herausfallen und Sie oder umstehende Personen verletzen.

⚠ VORSICHT: Wenn die Drehzahl sehr stark abfällt, verringern Sie die Last, oder halten Sie das Werkzeug an, um Beschädigung des Werkzeugs zu vermeiden.

Halten Sie das Werkzeug mit einer Hand am Griff und mit der anderen Hand an der Unterseite des Akkus fest, um der Drehwirkung entgegenzuwirken.

► **Abb.12**

Schraubbetrieb


⚠ VORSICHT: Stellen Sie mit dem Einstellring das korrekte Anzugsmoment für Ihre Arbeit ein.

⚠ VORSICHT: Achten Sie darauf, dass die Spitze des Schraubendrehereinsatzes senkrecht in den Schraubenkopf eingeführt wird, um eine Beschädigung von Schraube und/oder Schraubendrehereinsatz zu vermeiden.

Setzen Sie die Spitze des Schraubendrehereinsatzes in den Schraubenkopf ein, und üben Sie Druck auf das Werkzeug aus. Lassen Sie das Werkzeug langsam anlaufen, und erhöhen Sie dann die Drehzahl allmählich. Lassen Sie den Ein-Aus-Schalter los, sobald die Kupplung durchrutscht.

HINWEIS: Wenn Sie Holzschrauben eindrehen, bohren Sie eine Führungsbohrung von 2/3 des Schraubendurchmessers vor. Dies erleichtert das Eindrehen und verhindert Spaltung des Werkstücks.

Bohrbetrieb

Drehen Sie zunächst den Einstellring, bis der Zeiger auf das Symbol  zeigt. Gehen Sie dann folgendermaßen vor.

Bohren in Holz

Beim Bohren in Holz lassen sich die besten Ergebnisse mit Holzbohrern erzielen, die mit einer Zentrierspitze ausgestattet sind. Die Zentrierspitze erleichtert das Bohren, da sie den Bohrereinsatz in das Werkstück hineinzieht.

Bohren in Metall

Um Abrutschen des Bohrereinsatzes beim Anbohren zu vermeiden, empfiehlt es sich, die Bohrstelle mit einem Zentriertkorn anzukörnen. Setzen Sie dann die Spitze des Bohrereinsatzes in die Vertiefung, und beginnen Sie mit dem Bohren.

Verwenden Sie Schneidflüssigkeit beim Bohren von Metall. Eisen und Messing sollten jedoch trocken gebohrt werden.

⚠ VORSICHT: Übermäßige Druckausübung auf das Werkzeug bewirkt keine Beschleunigung der Bohrleistung. Im Gegenteil; übermäßiger Druck führt zu einer Beschädigung der Spitze des Bohrereinsatzes und damit zu einer Verringerung der Leistungsfähigkeit sowie zu einer Verkürzung der Lebensdauer des Werkzeugs.

⚠ VORSICHT: Halten Sie daher das Werkzeug mit festem Griff und lassen Sie Vorsicht walten, wenn der Bohrereinsatz im Begriff ist, aus dem Werkstück auszutreten. Beim Bohrungsdurchbruch wirkt ein hohes Rückdrehmoment auf Werkzeug und Bohrereinsatz.

⚠ VORSICHT: Ein festsitzender Bohrereinsatz lässt sich durch einfaches Umschalten der Drehrichtung wieder herausdrehen. Dabei sollten Sie aber das Werkzeug gut festhalten, damit es nicht ruckartig herausgestoßen wird.

⚠ VORSICHT: Spannen Sie kleine Werkstücke stets in einen Schraubstock oder eine ähnliche Aufspannvorrichtung ein.

⚠ VORSICHT: Wenn das Werkzeug im Dauerbetrieb bis zur vollkommenen Entladung des Akkus benutzt wurde, lassen Sie das Werkzeug vor dem Fortsetzen des Betriebs mit einem frischen Akku 15 Minuten lang ruhen.

WARTUNG

⚠ VORSICHT: Vergewissern Sie sich vor der Durchführung von Inspektions- oder Wartungsarbeiten stets, dass das Werkzeug ausgeschaltet und der Akku abgenommen ist.

ANMERKUNG: Verwenden Sie auf keinen Fall Benzin, Waschbenzin, Verdünnern, Alkohol oder dergleichen. Solche Mittel können Verfärbung, Verformung oder Rissbildung verursachen.

Auswechseln der Kohlebürsten

► **Abb.13:** 1. Verschleißgrenze

Überprüfen Sie die Kohlebürsten regelmäßig. Wechseln Sie sie aus, wenn sie bis zur Verschleißgrenze abgenutzt sind. Halten Sie die Kohlebürsten stets sauber, damit sie ungehindert in den Haltern gleiten können. Beide Kohlebürsten sollten gleichzeitig ausgewechselt werden. Verwenden Sie nur identische Kohlebürsten.

1. Drehen Sie zwei Schrauben mit einem Schraubendreher heraus, und nehmen Sie dann die Rückabdeckung ab.

► **Abb.14:** 1. Rückabdeckung 2. Schraube

2. Heben Sie den Arm der Feder an, und setzen Sie ihn dann mithilfe eines Schlitzschraubendrehers mit schlankem Schaft oder dergleichen in die Vertiefung des Gehäuses ein.

► **Abb.15:** 1. Vertiefung 2. Feder 3. Arm

3. Entfernen Sie die Kohlebürstenkappen mit einer Zange. Nehmen Sie die abgenutzten Kohlebürsten heraus, setzen Sie die neuen ein, und bringen Sie die Kappen umgekehrt wieder an.

► **Abb.16:** 1. Kohlebürstenkappe

4. Achten Sie darauf, dass der Zuleitungsdraht auf der gegenüberliegenden Seite des Arms liegt.

► **Abb.17:** 1. Zuleitungsdraht 2. Kohlebürstenkappe

5. Vergewissern Sie sich, dass die Kohlebürstenkappen einwandfrei in den Löchern der Bürstenhalter sitzen.

► **Abb.18:** 1. Loch 2. Kohlebürstenkappe

6. Bringen Sie die Rückabdeckung wieder an, und ziehen Sie die zwei Schrauben fest.

7. Setzen Sie den Akku in das Werkzeug ein, um die Bürsten durch Betreiben des Werkzeugs bei Nulllast etwa 1 Minute lang einzuschleifen.

8. Überprüfen Sie das Werkzeug während des Betriebs und die Funktion der elektrischen Bremse, wenn Sie den Ein-Aus-Schalter loslassen. Falls die elektrische Bremse nicht einwandfrei funktioniert, lassen Sie sie von einer autorisierten Makita-Kundendienststelle oder einem Kundendienstzentrum reparieren.

Um die SICHERHEIT und ZUVERLÄSSIGKEIT dieses Produkts zu gewährleisten, sollten Reparaturen und andere Wartungs- oder Einstellarbeiten nur von Makita-Vertragswerkstätten oder Makita-Kundendienstzentren unter ausschließlicher Verwendung von Makita-Originalersatzteilen ausgeführt werden.

SONDERZUBEHÖR

⚠ VORSICHT: Die folgenden Zubehörteile oder Vorrichtungen werden für den Einsatz mit dem in dieser Anleitung beschriebenen Makita-Werkzeug empfohlen. Die Verwendung anderer Zubehörteile oder Vorrichtungen kann eine Verletzungsgefahr darstellen. Verwenden Sie Zubehörteile oder Vorrichtungen nur für ihren vorgesehenen Zweck.

Wenn Sie weitere Einzelheiten bezüglich dieser Zubehörteile benötigen, wenden Sie sich bitte an Ihre Makita-Kundendienststelle.

- Bohrereinsätze
- Schraubendrehereinsätze
- Schraubendreher-Einsatzhalter
- Aufhänger
- Original-Makita-Akku und -Ladegerät

HINWEIS: Manche Teile in der Liste können als Standardzubehör im Werkzeugsatz enthalten sein. Sie können von Land zu Land unterschiedlich sein.

Makita Jan-Baptist Vinkstraat 2, 3070, Belgium
Makita Corporation Anjo, Aichi, Japan

www.makita.com

885434A979
EN, PL, HU, SK,
CS, UK, RO, DE
20151215